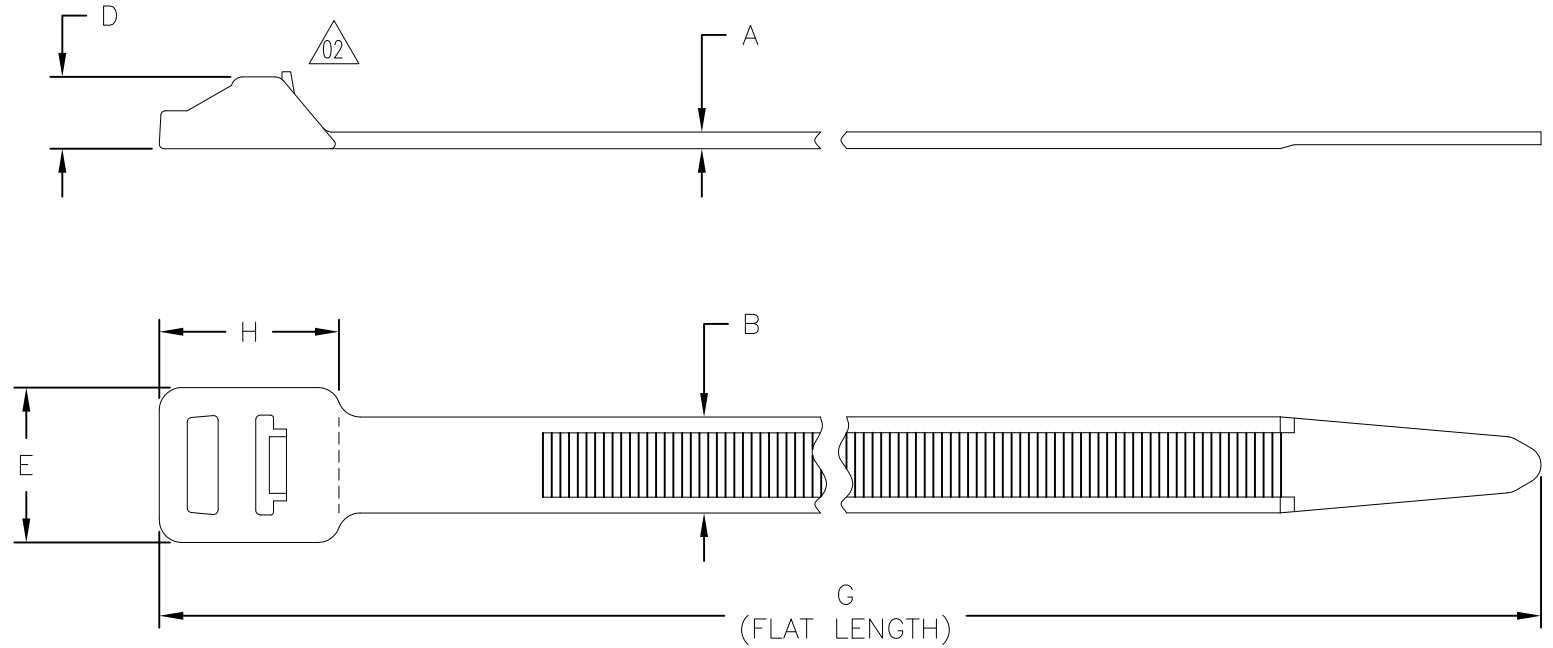


Revision level		Revision Record	Changed	Date	Approved	Date
part	drawing					
-	02					



PRODUCT CODE DESCRIPTION

RT250I\_UV  
 COLOR  
 (CONSULT FACTORY FOR AVAILABLE COLORS)

Aerospace Spec Tie SAE AS33671	Product Code	Cable Range (mm)	Material	A	B	D	E	G	H	Min Loop Tensile Strength (newtons)
no	RT250I_	12 to 203	PA66	2.2 ±0.2	12.5±0.2	9.5 ±0.5	20.0±0.5	730.0 ±5.0	22.4 ±1.0	1115
no	RT250I_HS		PA66HS							
no	RT250I_UV		PA66UV							

SEE CHART

Material

Dimension tolerances unless otherwise specified  
 .XXXX = ± .0130  
 .XXX = ± .130  
 .XX = ± .30  
 .X = ± .8  
 < = ± 0.5 °

Dimension Units mm

PERFORMANCE SPECIFICATION

**ACAD MECH 2010**

ALL PROPRIETARY RIGHTS IN THE SUBJECT MATTER SHOWN ON THIS DRAWING ARE EXCLUSIVE PROPERTY OF HELLERMANNTYTON

Drawn GGG 07/31/91  
 Approved K.A.C. 4/22/11

**HellermannTyton**

7930 N. Faulkner Rd.  
 Milwaukee, WI 53224  
 Ph: (414) 355-1130  
 Fx: (414) 362-8338

Scale 1:1  
 Computer File Number CT\CST\2250008\_02  
 Phase: Production

Title **RT250I RELEASABLE HEAVY DUTY LASHING CABLE TIE**

Drawing-No **CT2250008CST**

Format AH  
 Sheet 1 of 1