

2118016-1 ✓ ACTIVE

TE Internal #: 2118016-1

Antenna, Wi-Fi / WLAN / ZigBee, Printed Circuit Board,
Embedded, PCB, Product Length .744 in [18.9 mm], Width .244 in
[6.2 mm]

[View on TE.com >](#)



Antennas



Wireless Application: **Bluetooth, Wi-Fi, WLAN, ZigBee**

Mounts To: **Printed Circuit Board**

Antenna Style: **Embedded**

Antenna Type: **PCB**

Product Length: **18.9 mm [.744 in]**

Features

Configuration Features

Band Type	Dual Band
Number of Ports	1
Antenna Style	Embedded
Antenna Type	PCB

Electrical Characteristics

VSWR (Max)	<3:1
Impedance	50 Ω
Antenna Operation	Passive

Signal Characteristics

Frequency Band	2400 – 2483.5 MHz, 5150 – 5875 MHz
Gain (Max)	2 dB

Body Features

Product Weight	.3 g [.0105 oz] [.011 oz]
----------------	---------------------------

Mechanical Attachment



Polarization	Linear
Mounts To	Printed Circuit Board

Dimensions

Product Length	18.9 mm[.744 in]
Product Width	6.2 mm[.244 in]
Product Height	.79 mm[.031 in]

Operation/Application

Coverage Type	Omnidirectional
Wireless Standard	802.11 a/b/g/n, Bluetooth & ZigBee

Industry Standards

Wireless Application	Bluetooth, Wi-Fi, WLAN, ZigBee
----------------------	--------------------------------

Product Availability

Applicable Region	Global
-------------------	--------

Packaging Features

Packaging Method	Bag & Box
------------------	-----------

Other

Precision Level	Standard
-----------------	----------

Product Compliance

[For compliance documentation, visit the product page on TE.com>](#)

EU RoHS Directive 2011/65/EU	Compliant
EU ELV Directive 2000/53/EC	Compliant
China RoHS 2 Directive MIIT Order No 32, 2016	No Restricted Materials Above Threshold
EU REACH Regulation (EC) No. 1907/2006	Current ECHA Candidate List: JUNE 2022 (224) Candidate List Declared Against: JAN 2021 (211) Does not contain REACH SVHC
Halogen Content	BFR/CFR/PVC Free, but Br/Cl >900 ppm in other sources.
Solder Process Capability	Reflow solder capable to 245°C

Product Compliance Disclaimer

This information is provided based on reasonable inquiry of our suppliers and represents our current actual knowledge based on the information they provided. This information is subject to change. The part numbers that TE has identified as

EU RoHS compliant have a maximum concentration of 0.1% by weight in homogenous materials for lead, hexavalent chromium, mercury, PBB, PBDE, DBP, BBP, DEHP, DIBP, and 0.01% for cadmium, or qualify for an exemption to these limits as defined in the Annexes of Directive 2011/65/EU (RoHS2). Finished electrical and electronic equipment products will be CE marked as required by Directive 2011/65/EU. Components may not be CE marked. Additionally, the part numbers that TE has identified as EU ELV compliant have a maximum concentration of 0.1% by weight in homogenous materials for lead, hexavalent chromium, and mercury, and 0.01% for cadmium, or qualify for an exemption to these limits as defined in the Annexes of Directive 2000/53/EC (ELV). Regarding the REACH Regulation, the information TE provides on SVHC in articles for this part number is based on the latest European Chemicals Agency (ECHA) 'Guidance on requirements for substances in articles' posted at this URL: <https://echa.europa.eu/guidance-documents/guidance-on-reach>

Compatible Parts



TE Part # 2040852-1
SHIELD FINGER 0820 N-B WITH SE



TE Part # 2199248-4
Shield Finger, Loose Piece, Type A, 1.0 h



TE Part # 1447009-5
SHIELD FINGER 0820 TYPE



TE Part # 2199248-5
SHIELD FINGER, LOOSE PIECE, TYPE A, 1.3H




TE Part # 2306334-3
SPRING FINGER 1.2H



TE Part # 2306454-3
SPRING FINGER 2.3H



TE Part # 2306654-3
SPRING FINGER 1.8H




TE Part # 2336713-2
SPRING FINGER 1.45H



TE Part # 2199001-1
SHIELD FINGER 1210 EMBOSS PACKING

Customers Also Bought



TE Part #DT04-2P
DEUTSCH DT Series Housings & Connectors



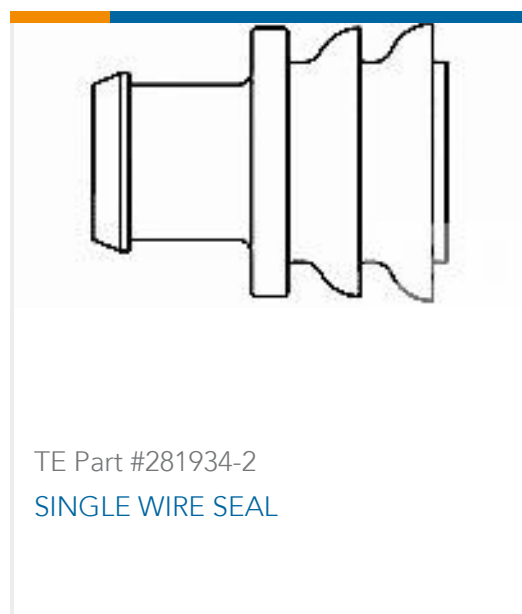
TE Part #W2S
DEUTSCH DT WEDGELOCKS



TE Part #282104-1
AMP SUPERSEAL 1.5MM, CONNECTOR HOUSING



TE Part #206070-8
CABLE CLAMP KIT #17



Documents

Product Drawings

PCB ANTENNAS, WLAN DUAL BAND

English

CAD Files

Customer View Model

[ENG_CVM_CVM_2118016-1_A.3d_igs.zip](#)

English

Customer View Model

[ENG_CVM_CVM_2118016-1_A.3d_stp.zip](#)

English

Customer View Model

[ENG_CVM_CVM_2118016-1_A.2d_dxf.zip](#)

English

3D PDF

3D

By downloading the CAD file I accept and agree to the [Terms and Conditions](#) of use.

Datasheets & Catalog Pages

PCB ANTENNA

English

Product Environmental Compliance

TE Material Declaration

English