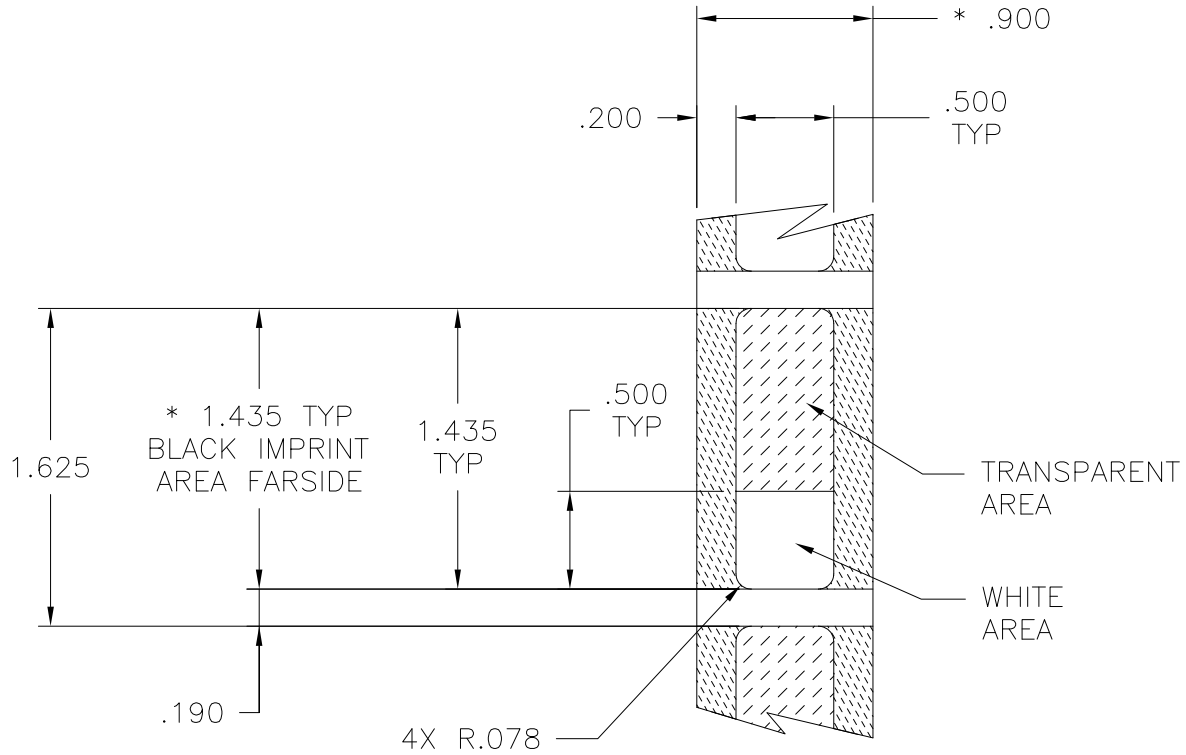


name	date	city, state

NOTES

* DIMENSIONS FOR FAR SIDE OF RELEASE LINER



1,000 WHITE/TRANSPARENT LABELS PER ROLL
1 ACROSS

REVISION	DR level	01
	AW date	08/09/13
	by	AAC
	ECN#	012427
part level	-	

DIMENSIONS	.XXXX=±.0005
	.XXX=±.005
	.XX=±.01
	.X=±.03
	∠=±0.5°
unless otherwise specified	
units	inches

PART	number	SEE CHART	phase	PRODUCTION
	name	THERMAL TRANSFER SELF-LAMINATING LABEL		
	material	100 SELF-LAMINATING CLEAR VINYL		

DRAWING	FORMAT AV version M	CAD	ACAD	scale	1X
	computer file number	LA\DTL\3002158_01			
	drawn	A.A.C.	checked	KAC	approved
	11/12/02	08/09/13			
type	DETAIL			sheet	1 of 1
number	LA3002158DTL				