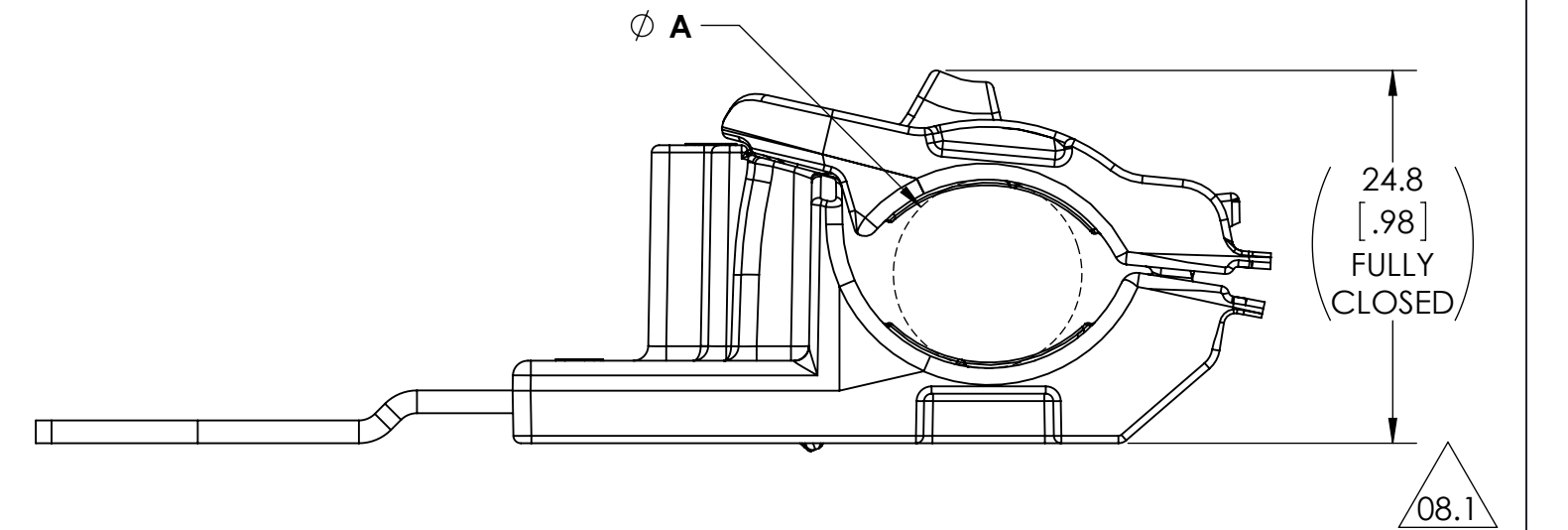
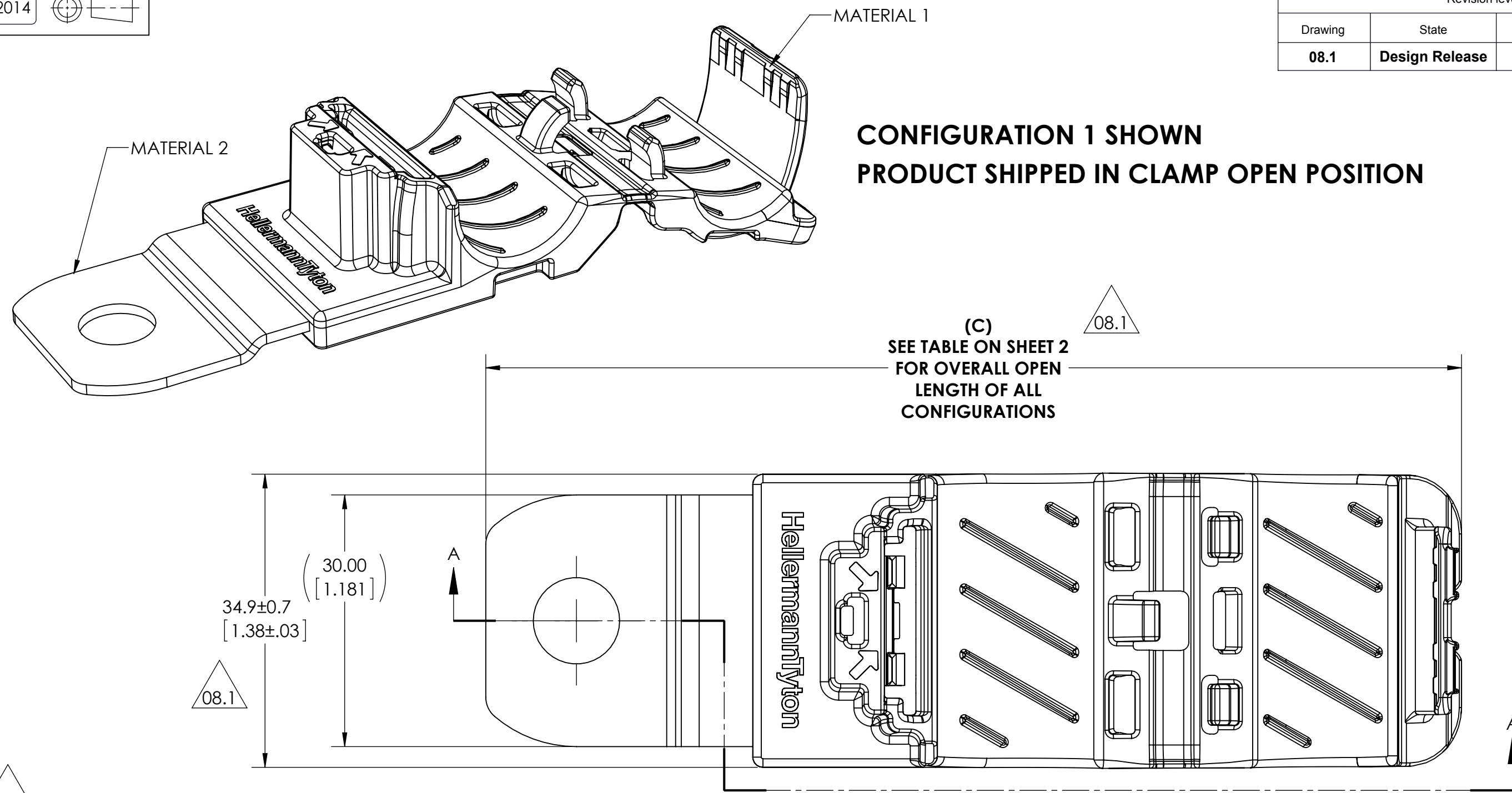
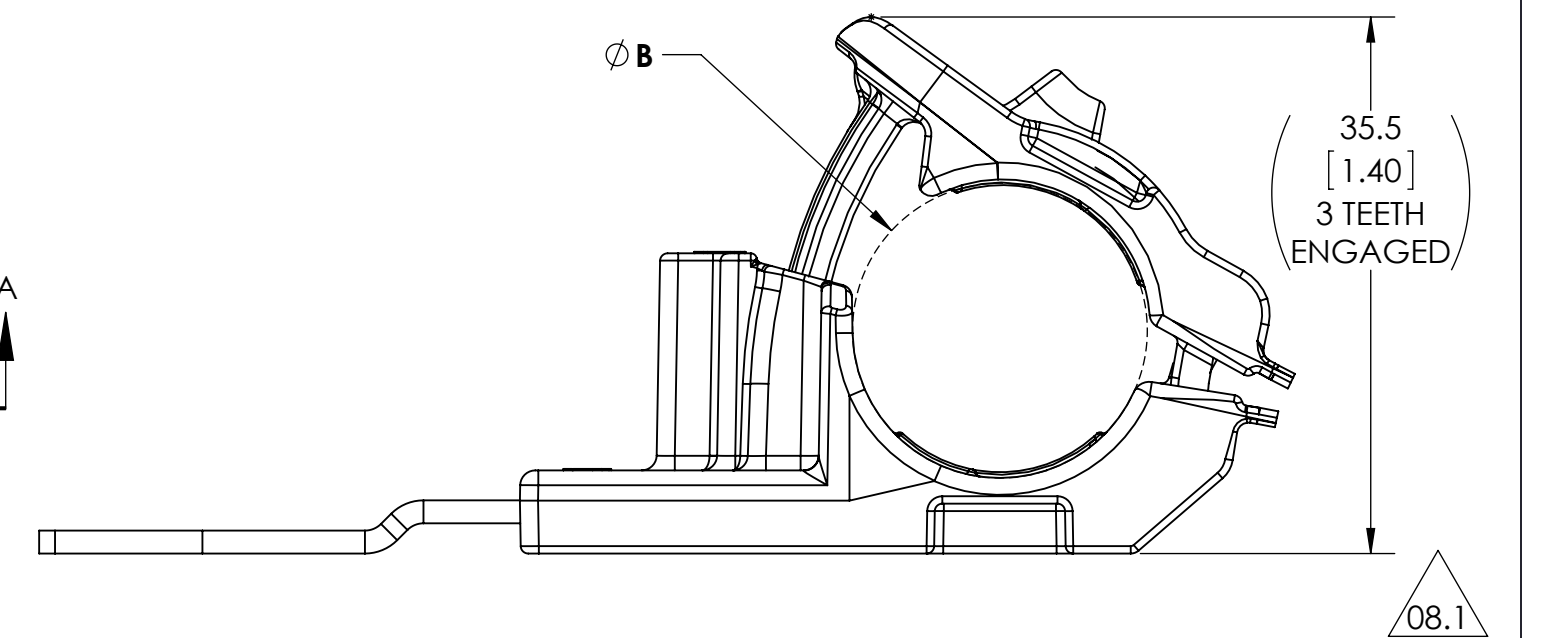


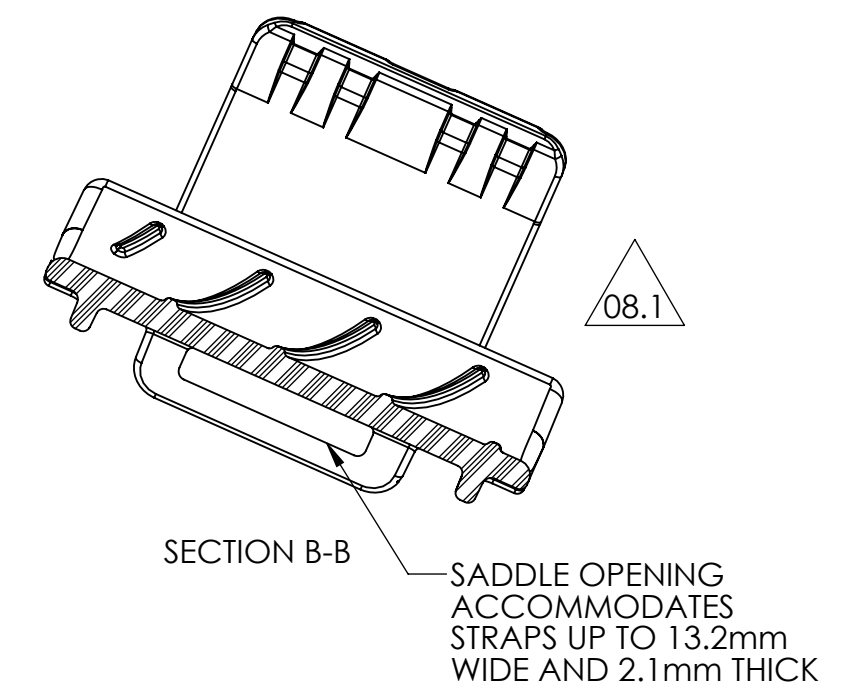
Revision level			Revision Record	Changed	Date	Approved	Date
Drawing	State	Part					
08.1	Design Release	A	SEE ECN# 013325	MHT	3/25/2016	KAC	3/25/2016



**MINIMUM BUNDLE DIAMETER**



**MAXIMUM BUNDLE DIAMETER**



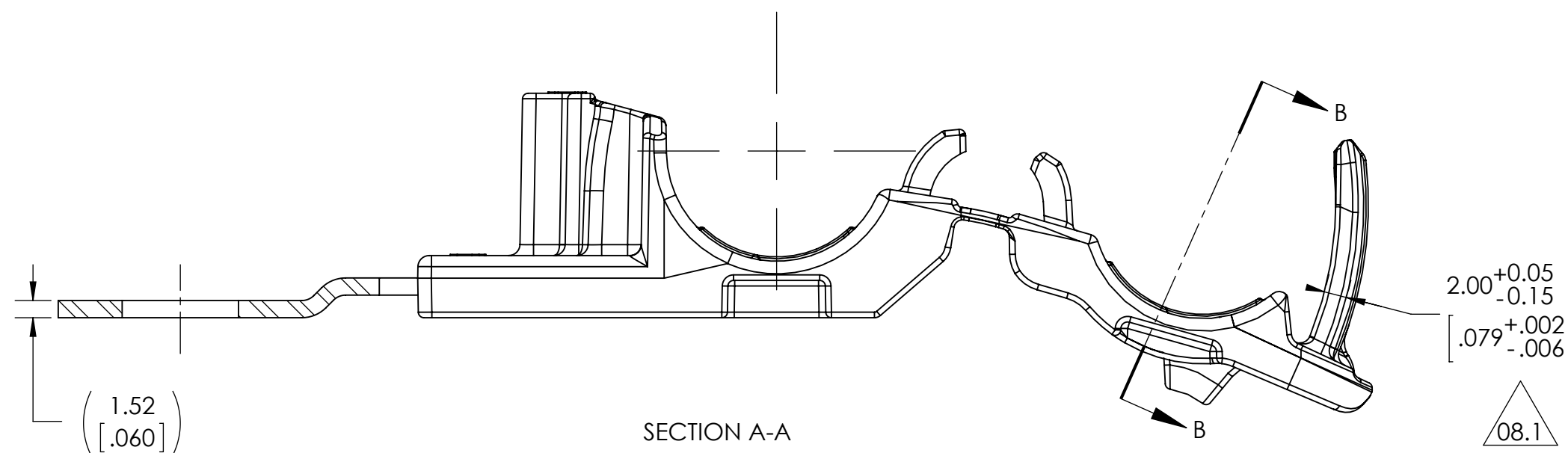
**INITIAL MOLD VALIDATION:**

1. ITS-0003 RATCHET P CLAMP SOLID MANDREL TEST: EXCEEDED 445 NEWTONS (100 LBS) MIN AT A NOMINAL BUNDLE DIAMETER OF 15.88 [0.625] TESTING ONLY REQUIRED OF CONFIGURATION \*RCB180SM10, \*RCB180LM10, AND \*RCB90LM10 \*TESTING CAN BE SUBSTITUTED WITH M6, M8, M12 VERSION MOUNTING HOLES

2. ITS-0008 CLOSE AND RELEASE TEST: EXCEEDED 445 NEWTONS (100 LBS) MIN AT A NOMINAL BUNDLE DIAMETER OF 15.88 [0.625] AFTER CLOSING AND RELEASING 40 TIMES

3. ITS-0014 LOW TEMPERATURE HINGE TEST: NO DAMAGE OCCURED AFTER BENDING LIVING HINGE 40 TIMES AT -40°C

NOTE: TESTING #2 AND #3 CAN BE DONE ON ANY TYPE NUMBER AND WILL APPLY TO ALL OTHER TYPE NUMBERS IN THE TABLE ON SHEET 2



**PERFORMANCE REQUIREMENTS:**

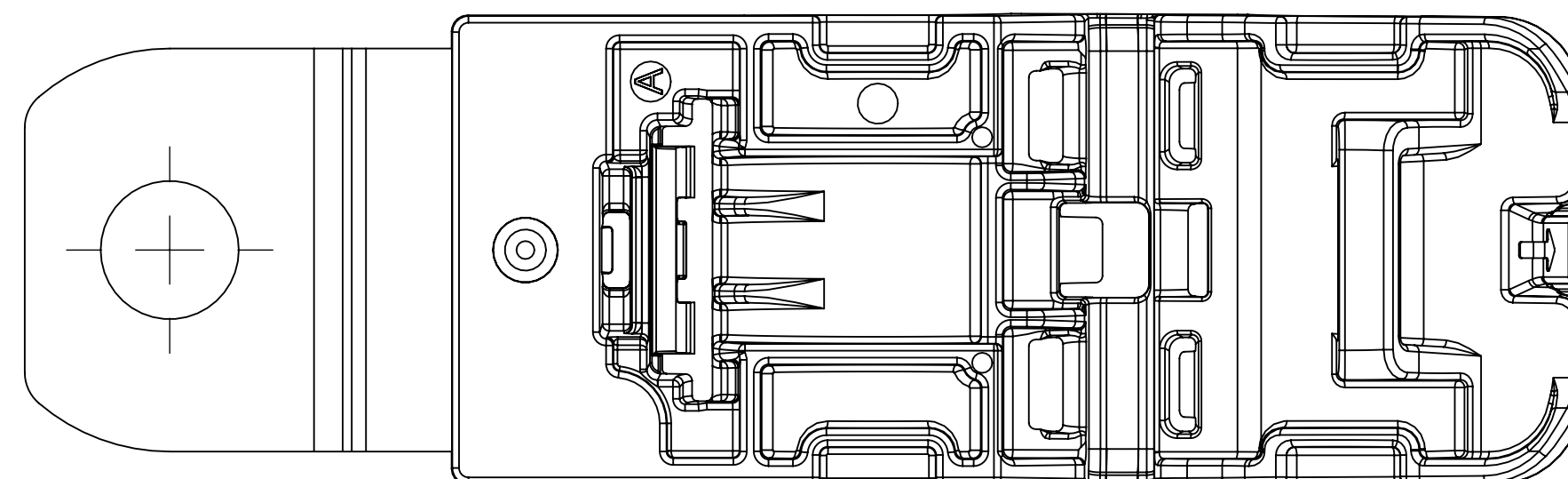
DRY AS MOLDED WITH ≤ 0.5% MOISTURE CONTENT:

4. ITS-0001 RATCHET P CLAMP SPLIT MANDREL TEST: 445 NEWTONS (100 LBS) MIN AT A NOMINAL BUNDLE DIAMETER OF 15.88 [0.625]

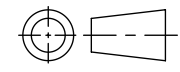
NOTE: TESTING CAN BE DONE ON ANY TYPE NUMBER AND WILL APPLY TO ALL OTHER TYPE NUMBERS IN THE TABLE ON SHEET 2

5. MAXIMUM PERCENT REGRIND PERMISSABLE: 25%

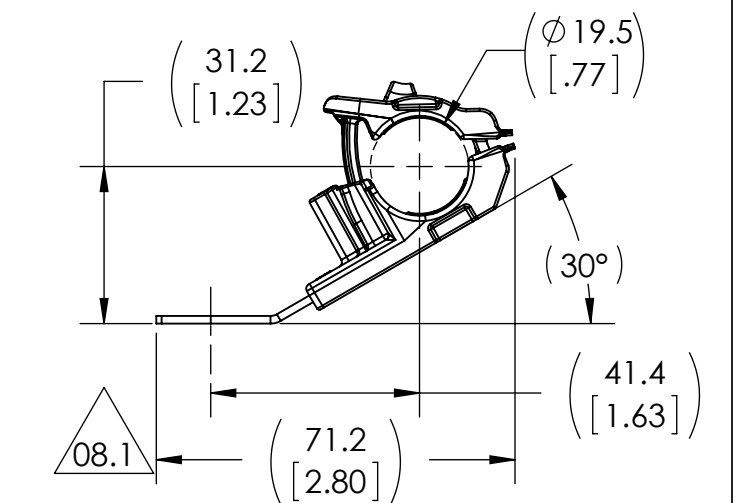
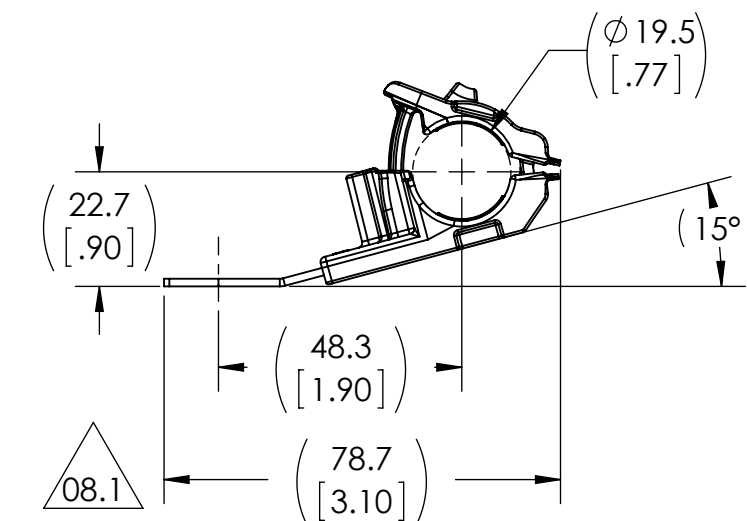
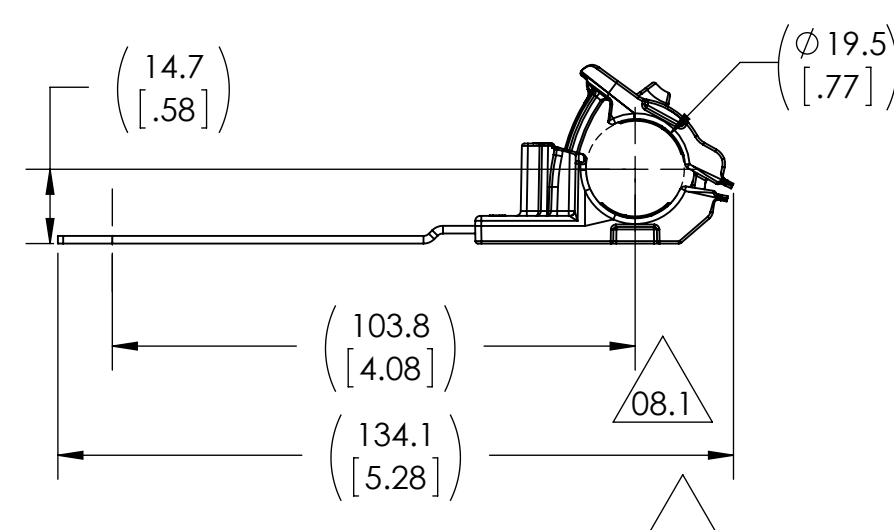
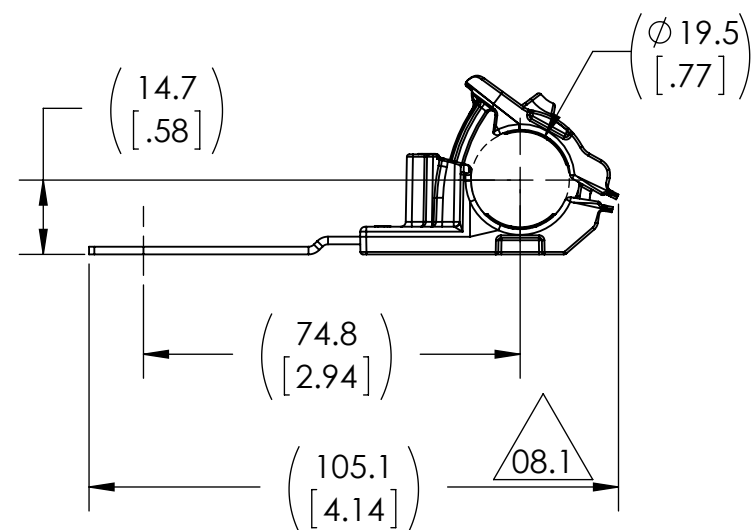
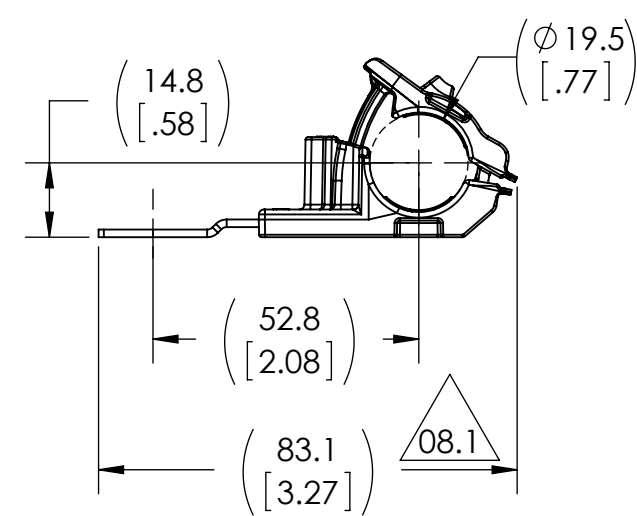
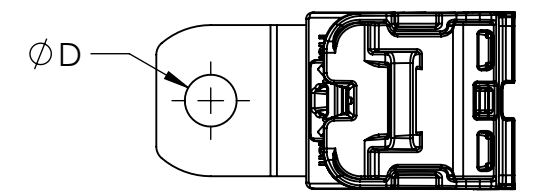
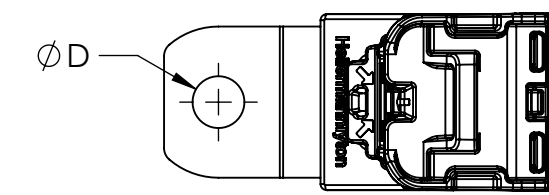
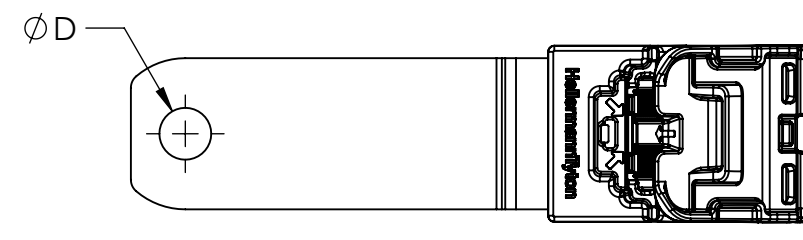
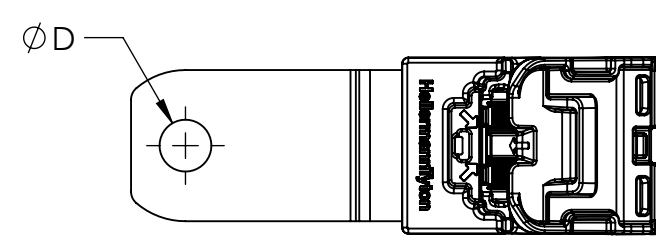
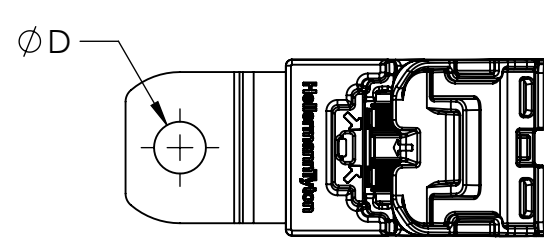
6. MAXIMUM ALLOWABLE FLASH OR MISMATCH TO BE: 0.25mm



Notes	Material	Units: millimeters	Drawn	MHT	04/13/2015	Article/Type-No	SEE CHART (SHEET 2)	Scale	2:1
	1. PA66HIRHSUV	Dimension without tolerances details to:	Approved	KAC	05/28/2015	Title	RCB RATCHET P CLAMP, SIZE B, CLAMP RANGE 12.7 TO 19.5	Project Number	PRP15-0341
	2. ZINC PLATED STEEL	.xxx = ±.013 .xx = ±.13 .x = ±.3 None = ±.8 < = ±0.5*			Drawing-No	15-0341-101-CSU	Production : Phase	Format	C
		Dimension Formatted mm/(in)	The copyright of this drawing is reserved by HellermannTyton. It is issued on condition that it is not reproduced, copied, or disclosed to a third party, either wholly or in part, without the consent of HellermannTyton.		Web: www.hellermann.tyton.com	Sheet	1/2		



Revision level			Revision Record	Changed	Date	Approved	Date
Drawing	State	Part					
08.1	Design Release	A	SEE ECN# 013325	MHT	3/25/2016	KAC	3/25/2016



**CONFIGURATION: 1**

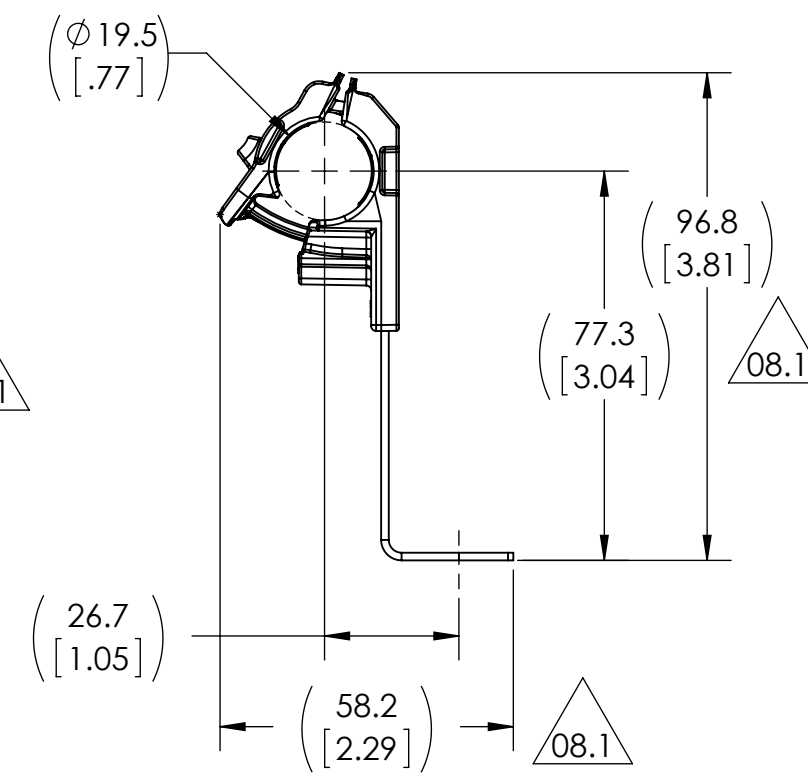
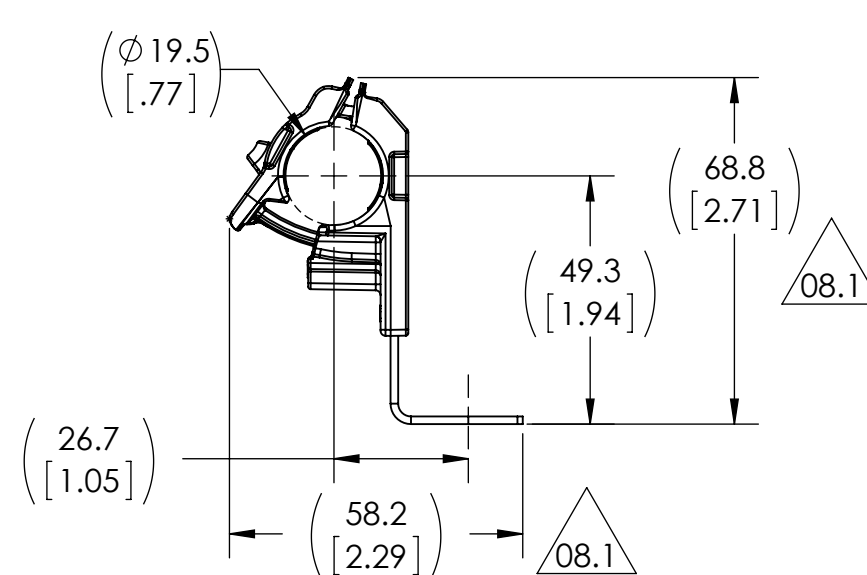
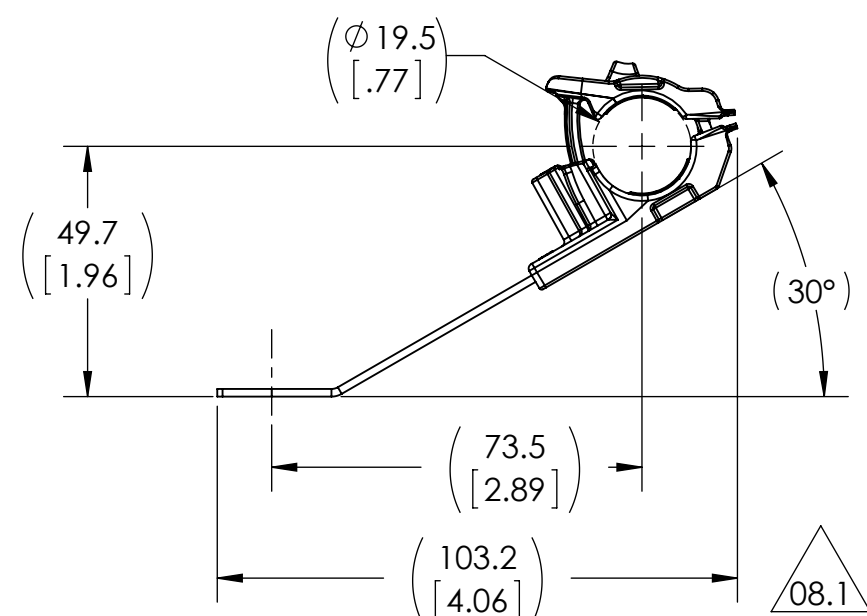
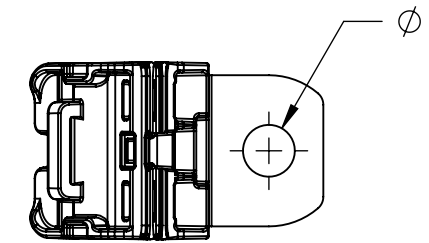
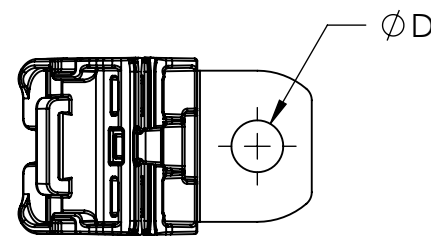
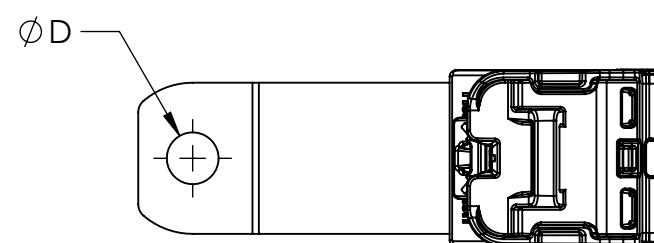
**CONFIGURATION: 2**

**CONFIGURATION: 3**

**CONFIGURATION: 4**

**CONFIGURATION: 5**

**ALL VIEWS IN MAXIMUM BUNDLE DIAMETER  
PRODUCT SHIPPED IN CLAMP OPEN POSITION**



**CONFIGURATION: 6**

**CONFIGURATION: 7**

**CONFIGURATION: 8**

CONFIGURATION	DESCRIPTION	D ±0.13	TYPE	C - OVERALL OPEN LENGTH REFERENCE (SEE SHEET 1)
1	180° SHORT	6.50 [.256]	RCB180SM6	116.2 [4.57]
		8.31 [.327]	RCB180SM8	
		10.29 [.405]	RCB180SM10	
		12.95 [.510]	RCB180SM12	
2	180° MEDIUM	6.50 [.256]	RCB180MM6	138.2 [5.44]
		8.31 [.327]	RCB180MM8	
		10.29 [.405]	RCB180MM10	
3	180° LONG	6.50 [.256]	RCB180LM6	167.2 [6.58]
		8.31 [.327]	RCB180LM8	
		10.29 [.405]	RCB180LM10	
4	15° SHORT	6.50 [.256]	RCB15SM6	115.6 [4.55]
		8.31 [.327]	RCB15SM8	
		10.29 [.405]	RCB15SM10	
		12.95 [.510]	RCB15SM12	
5	30° SHORT	6.50 [.256]	RCB30SM6	113.5 [4.47]
		8.31 [.327]	RCB30SM8	
		10.29 [.405]	RCB30SM10	
6	30° LONG	6.50 [.256]	RCB30LM6	150.5 [5.93]
		8.31 [.327]	RCB30LM8	
		10.29 [.405]	RCB30LM10	
		12.95 [.510]	RCB30LM12	
7	90° SHORT	6.50 [.256]	RCB90SM6	101.9 [4.01]
		8.31 [.327]	RCB90SM8	
		10.29 [.405]	RCB90SM10	
8	90° LONG	6.50 [.256]	RCB90LM6	129.9 [5.11]
		8.31 [.327]	RCB90LM8	
		10.29 [.405]	RCB90LM10	
		12.95 [.510]	RCB90LM12	

Notes	Material	Units: millimeters	The copyright of this drawing is reserved by HellermannTyton. It is issued on condition that it is not reproduced, copied, or disclosed to a third party, either wholly or in part, without the consent of HellermannTyton.	Drawn	MHT	04/13/2015	Article/Type-No	SEE CHART	Scale	2:3
	1. PA66HIRHSUV 2. ZINC PLATED STEEL	Dimension without tolerances details to:		Approved	KAC	05/28/2015	Title	RCB RATCHET P CLAMP, SIZE B, CLAMP RANGE 12.7 TO 19.5	Project Number	PRP15-0341
		.xxx = ±.013		HellermannTyton North America Email: corp@htamericas.com Web: www.hellermann.tyton.com		Drawing-No	15-0341-101-CSU	Production : Phase	Format	C
		.xx = ±.13				Sheet	2/2			
.x = ±.3										
None = ±.8										
< = ±0.5*										
Dimension Formatted mm/(in)										