

2201778-1 ✓ ACTIVE

TE Internal #: 2201778-1

SD Card Connectors, Micro Secure Digital Compatible Card, 8
Position, .04 in [1.1 mm] Centerline, Surface Mount Mount, Right
Angle

[View on TE.com >](#)



Connectors > PCB Connectors > Memory Card Connectors > SD Card Connectors



Compatible Card: **Micro Secure Digital**

Number of Positions: **8**

Centerline (Pitch): **1.1 mm [.04 in]**

PCB Mounting Style: **Surface Mount**

PCB Mount Orientation: **Right Angle**

Features

Product Type Features

Compatible Card	Micro Secure Digital
Connector & Contact Terminates To	Printed Circuit Board
Product Type	Removable Memory Products
Shielded	No

Configuration Features

Lead Configuration	Inline
Operating Function	Push-On Push-Off
Number of Positions	8
PCB Mount Orientation	Right Angle
Number of Rows	1

Body Features

Hold-Down	Without
Color	Black
Shell Material	Copper Alloy



Contact Features

Vacuum Tape	Without
Contact Underplating Material	Nickel
PCB Contact Termination Area Plating Material	Gold Flash
Contact Base Material	Copper Alloy
Contact Current Rating (Max)	.5 A
Contact Mating Area Plating Material	Gold

Mechanical Attachment

PCB Mounting Style	Surface Mount
Connector Mounting Type	Board Mount

Housing Features

Centerline (Pitch)	1.1 mm [.04 in]
Housing Color	Black
Housing Material	LCP (Liquid Crystal Polymer)

Dimensions

Solder Tab Length	.6 mm [.024 in]
Profile Height from PCB	1.65 mm [.065 in]

Usage Conditions

Operating Temperature Range	-30 – 85 °C [-22 – 185 °F]
-----------------------------	----------------------------

Operation/Application

Circuit Application	Signal
---------------------	--------

Industry Standards

UL Flammability Rating	UL 94V-0
------------------------	----------

Packaging Features

Packaging Method	Tape & Reel
------------------	-------------

Product Compliance

[For compliance documentation, visit the product page on TE.com>](#)

EU RoHS Directive 2011/65/EU	Compliant
EU ELV Directive 2000/53/EC	Compliant
China RoHS 2 Directive MIIT Order No 32, 2016	No Restricted Materials Above Threshold
EU REACH Regulation (EC) No. 1907/2006	



Current ECHA Candidate List: JUNE 2022 (224)

Candidate List Declared Against: JUNE 2022 (224)

Does not contain REACH SVHC

Halogen Content
 Low Halogen - Br, Cl, F, I < 900 ppm per homogenous material. Also BFR/CFR/PVC Free

Solder Process Capability
 Reflow solder capable to 260°C

Product Compliance Disclaimer

This information is provided based on reasonable inquiry of our suppliers and represents our current actual knowledge based on the information they provided. This information is subject to change. The part numbers that TE has identified as EU RoHS compliant have a maximum concentration of 0.1% by weight in homogenous materials for lead, hexavalent chromium, mercury, PBB, PBDE, DBP, BBP, DEHP, DIBP, and 0.01% for cadmium, or qualify for an exemption to these limits as defined in the Annexes of Directive 2011/65/EU (RoHS2). Finished electrical and electronic equipment products will be CE marked as required by Directive 2011/65/EU. Components may not be CE marked. Additionally, the part numbers that TE has identified as EU ELV compliant have a maximum concentration of 0.1% by weight in homogenous materials for lead, hexavalent chromium, and mercury, and 0.01% for cadmium, or qualify for an exemption to these limits as defined in the Annexes of Directive 2000/53/EC (ELV). Regarding the REACH Regulation, the information TE provides on SVHC in articles for this part number is based on the latest European Chemicals Agency (ECHA) 'Guidance on requirements for substances in articles' posted at this URL: <https://echa.europa.eu/guidance-documents/guidance-on-reach>

Compatible Parts



TE Part # 2822541-1
 PUSH-PUSH MICRO SIM CONNECTOR



TE Part # 2290741-1
 3 IN 2 CONNECTOR ASSY

Customers Also Bought



TE Part #1735482-2
 0.8FH,R17H.5.060,08/Sn,TR,SC



TE Part #553602-1
 PLUG ASSY,50 POSN,SCR LK,L PF



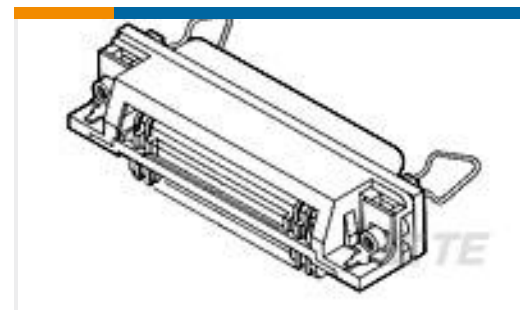
TE Part #1744382-8
 08P MTA100 HDR ASSY,SM,SN,LF



TE Part #2-1879350-9
 RR01 5% 3R3 AMMO



TE Part #1367645-4
DWDM Kit Assy, PCI (4.2)



TE Part #5555119-1
RCPT ASSY,SHLD,36 POSN,RTANG



TE Part #2-1879132-1
RN 0402 15K 0.1% 10PPM 5K RL



TE Part #4-1393240-0
RT334005



TE Part #2311771-1
AMPL REC, HD22, R/A, 62P,
THREADED



TE Part #2340437-1
CT 200MM CABLE ASSY 14 POS

Documents

Product Drawings

MICRO SD PUSH PUSH LOW PROFILE TYPE

English

CAD Files

3D PDF

3D

Customer View Model

[ENG_CVM_CVM_2201778-1_A_c-2201778-1-a.2d_dxf.zip](#)

English

Customer View Model

[ENG_CVM_CVM_2201778-1_A_c-2201778-1-a.3d_igs.zip](#)

English

Customer View Model

[ENG_CVM_CVM_2201778-1_A_c-2201778-1-a.3d_stp.zip](#)

English

By downloading the CAD file I accept and agree to the [Terms and Conditions](#) of use.

Product Specifications

Product Specification

English

Product Specification

English

Product Environmental Compliance

[MD_2201778-1_05112017524_dmtec](#)

English

2201778-1

SD Card Connectors, Micro Secure Digital Compatible Card, 8 Position, .04 in [1.1 mm] Centerline, Surface Mount Mount, Right Angle



[MD_2201778-1_05112017524_dmtec](#)

English