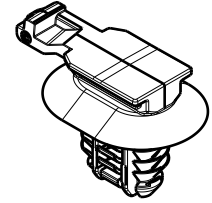


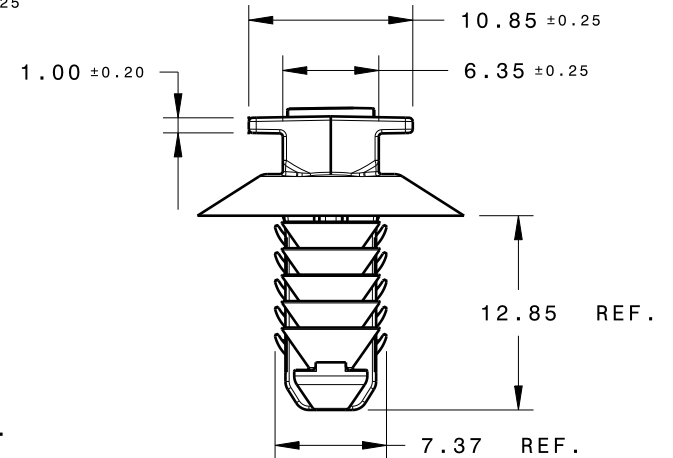
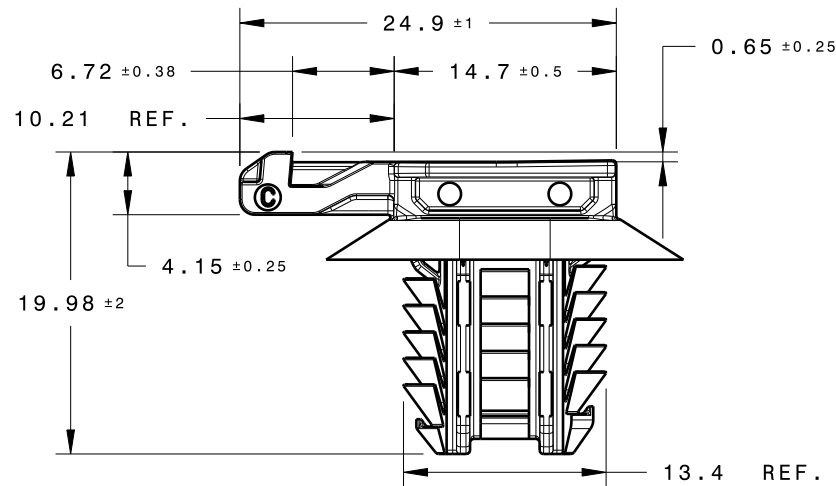
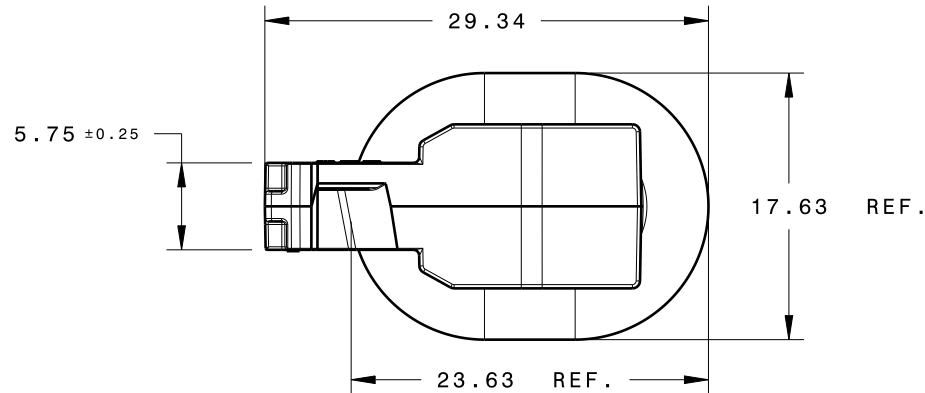
REFERENCE:

PERFORMANCE REQUIREMENTS AT DRY AS MOLDED:

1. FIR TREE PUSH IN FORCE: REF. 10 LBS MAX IN EACH APPLICABLE OVAL HOLE SIZE AND A PLATE THICKNESS OF 1.8mm
2. FIR TREE PULL OUT FORCE: REF. 25 LBS MIN IN EACH APPLICABLE OVAL HOLE SIZE AND A PLATE THICKNESS OF 1.8mm
3. SHEET METAL THICKNESS RANGE: 0.60mm - 6.0mm
4. APPLICABLE OVAL HOLE SIZES:
  - A. 6.2 X 12.2mm
  - B. 6.5 x 12.5mm
  - C. 6.5 x 13.0mm
  - D. 7.0 x 12.0mm



Isometric view  
Scale: 1:1



INVENTORS

**HellermannTyton®**

ALL PROPRIETARY RIGHTS IN THE SUBJECT MATTER SHOWN ON THIS DRAWING ARE EXCLUSIVE PROPERTY OF HELLERMANN TYTON

name	date	city, state
S. ADAMS	5/10/10	MENOMONEE FALLS, WI.

REVISIONS	DR level	05
	AW by	SJA
	IN date	4/27/11
	NG ECN #	011828
	part level	C

DIMENSIONS	TOLERANCES
	.XXXX = ± 0.25
	.XXX = ± 0.50
	.XX = ± 1.00
	.X = ± 2.00
	∠ = ± 1.00
units	millimeters

PART	number	CCOVAL	phase	PRODUCTION
	name	OVAL HOLE CONNECTOR CLIP		
	material	NYLON 6/6, IM. HS UV RESISTANT COLOR: BLACK		

DRAWING	FORMAT	AH	CAD	CATIA V5	SCALE	2:1
	VERSION	J	A- SIZE (landscape)_N01		previous drawing number	
	drawn	S. ADAMS	checked	P. TRAUTFIELD	approval	
		5/10/10		4/27/11		
	type	CUSTOMER		sheet 1 of 1		
	number	MT11-0156-001CST				

**Product Number**  
**Cross Reference Record**

Uncontrolled Document

<b>Pre-UNS Number System</b>	<b>(New) UNS Universal Number System</b>	<b>Customer Part Number</b>
Product Number  <b>CCOVAL</b>	Product Number  <b>151-00925</b>	Product Number  <b>-</b>
Reference Drawing Number: <b>MT11-0156-001CST</b>		

Issued By:	(New) UNS Product Number	Issue Date:
<b>HellermannTyton</b>	<b>Universal Numbering System</b>	<b>December 5, 2011</b>