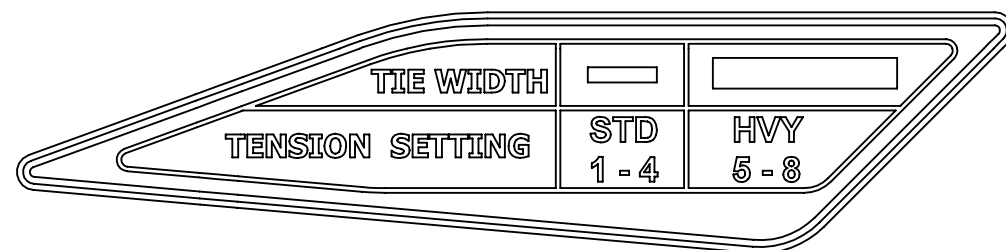
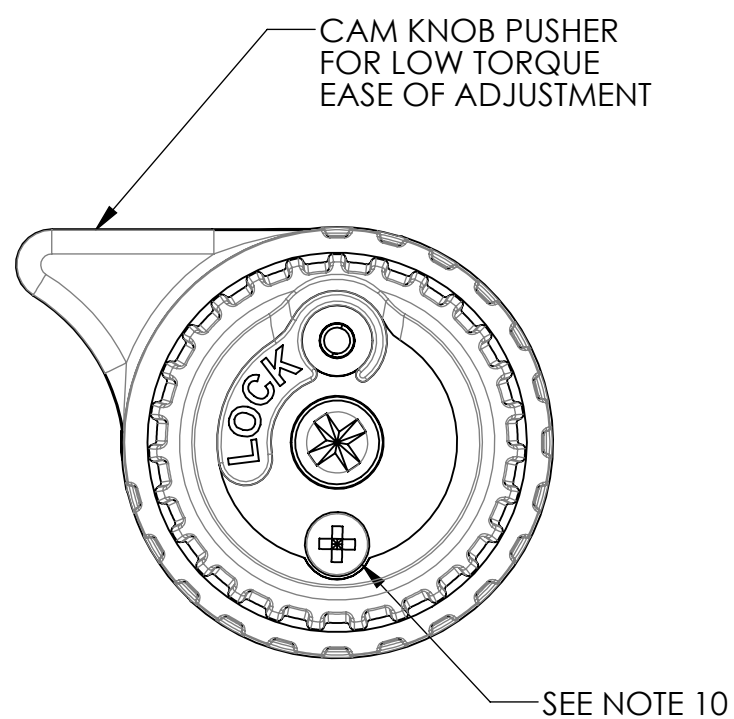
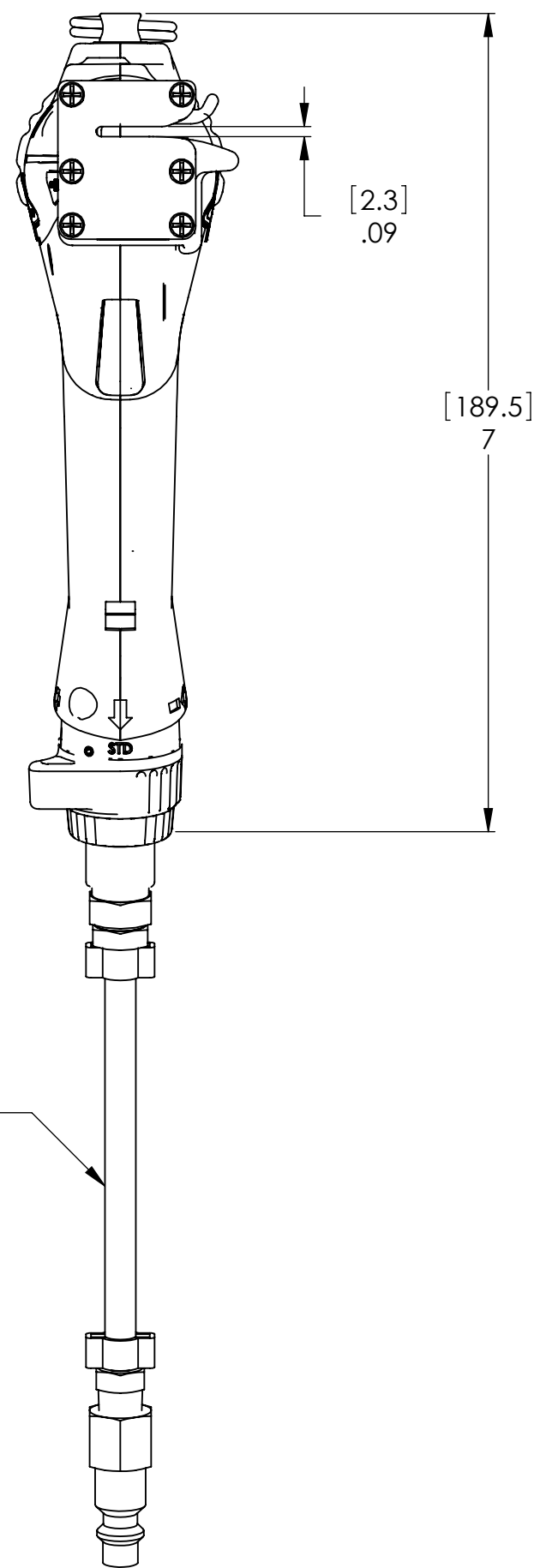


NOTE:

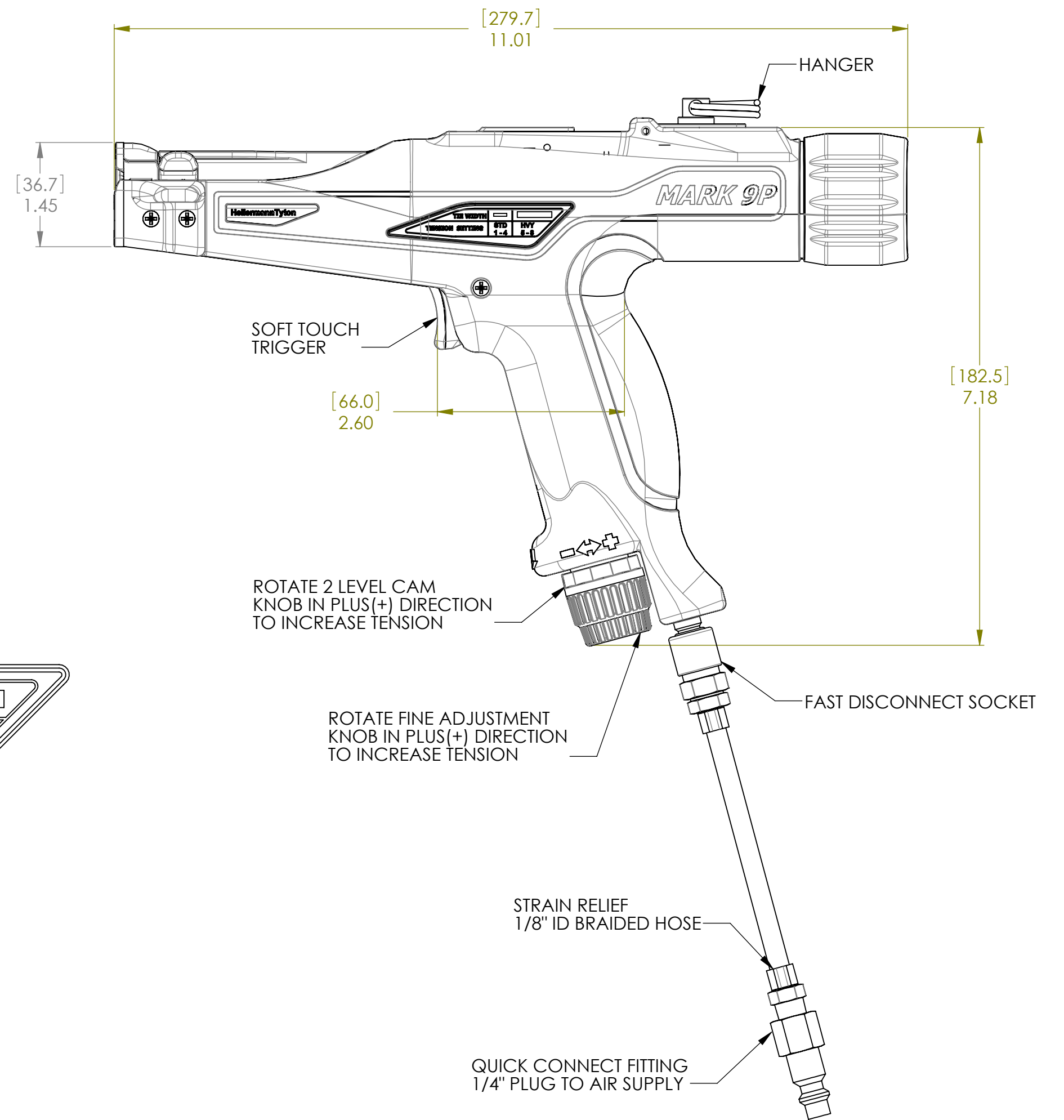
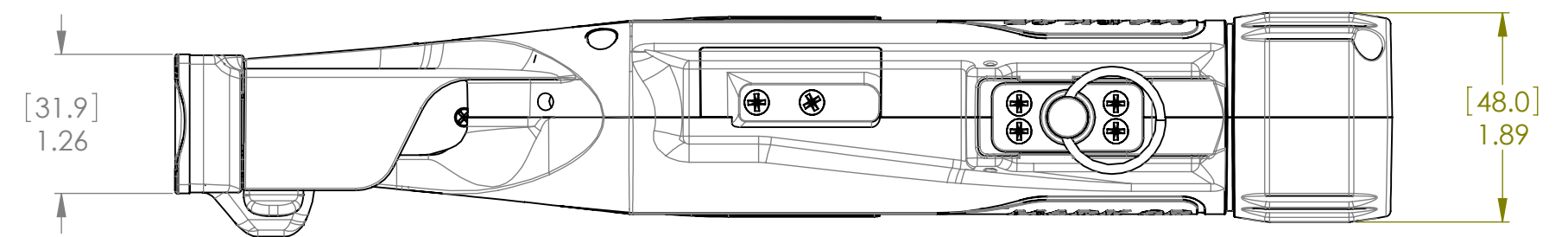
1. HOUSING MATERIAL: GLASS REINFORCED BLACK NYLON
2. TOOL WEIGHT: 32 oz.
3. INSTALLS HELLERMANNITYTON TIES T50-T255.
4. TOOL REQUIRES NO SPECIAL OPERATOR MAINTENANCE.
5. FOR REPLACEMENT BLADE ORDER PART # MK9P-109
6. SAFETY GLASSES MUST BE WORN AT ALL TIMES.
7. AIR PRESSURE: 90 PSI MAX (6 BAR)
8. USE NON-LUBRICATED AIR ONLY.
9. STANDARD = T50, T80 TIES (.18" WIDE)
HEAVY = T120(.30 WIDE), T150(.35 WIDE);
T250; T255 (.50 WIDE)
10. OPTIONAL: REMOVE PAN HEAD SCREW FROM "UNLOCK" POSITION AND PLACE IN "LOCK" POSITION TO LOCK FINE ADJUST KNOB TO CAM KNOB.



LABEL, TENSION SETTINGS
SCALE 2:1



LABEL, WARNING
SCALE 2:1



10" WHIP HOSE PROVIDED (SHORTENED FOR DRAWING FORMAT SPACE)

INVENTORS

HellermannTyton

ALL PROPRIETARY RIGHTS IN THE SUBJECT MATTER SHOWN ON THIS DRAWING ARE EXCLUSIVE PROPERTY OF HELLERMANNITYTON

name	date	city, state

NOTES

REVISION

level	02
by	WKL
date	1/11/2012
ECN #	012010
part level	-

TOLERANCES

.XXXX = ±.0005
.XXX = ±.005
.XX = ±.01
.X = ±.03
∠ = ±0.5°
unless otherwise specified

units inches

PART

number	MK9P	phase	Production
name	CUSTOMER DRAWING MK9P (110-09101)		
material			

DRAWING

format	C	CAD	SW 2010	scale	4:6
computer file name	TS2097100CST_02		previous drawing number		
drawn	AAC	checked	WKL	approved	
date	04/25/2007	checked	04/25/2007	approved	
type	Customer	sheet 1 of 1			
number	TS2097100CST				