

JANMS3180 PROTECTIVE PLUG CAPS

MIL-DTL-26482

Connector Group J

JANMS3180	10	C	A	L
Designates Plug Dust Cover	ACCESSORY SHELL SIZE	STYLE	FINISH	LENGTH
	8 10 12 14 16 18 20 22 24	C: W/ Chain R: W/ SS Rope	A: Anodized Black K: Black Zinc Nickel L: Electroless Nickel W: Cadmium	L: 5 in. Chain /Rope in lieu of standard length (Omit for st. length "H")

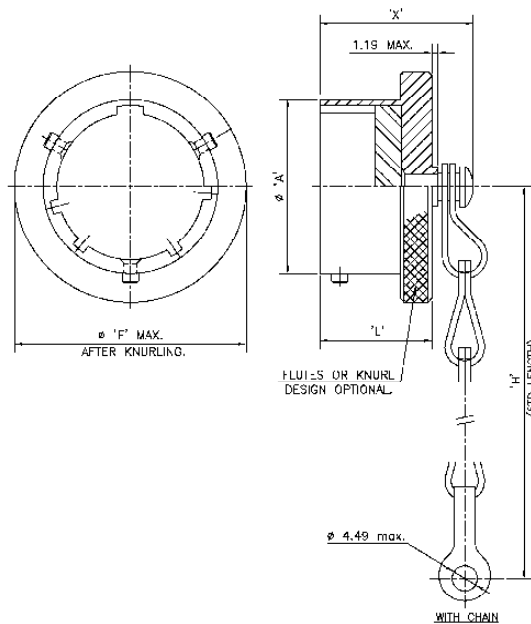


TABLE A

Accessory Shell Size	A Ø		F Ø		H Std. Length		L Max. Length		X Max. Overall	
	+0.03 / -0.13				+12.70 / -6.35					
	mm	inch	mm	inch	mm	inch	mm	inch	mm	inch
8	12.01	0.47	18.26	0.71	76.20	3	14.27	0.56	19.84	0.78
10	14.99	0.59	21.44	0.84	76.20	3	14.27	0.56	19.84	0.78
12	19.05	0.75	25.40	1	88.90	3.5	14.27	0.56	19.84	0.78
14	22.22	0.87	28.58	1.12	88.90	3.5	14.27	0.56	19.84	0.78
16	25.40	1	31.75	1.25	88.90	3.5	14.27	0.56	19.84	0.78
18	28.58	1.12	34.92	1.37	88.90	3.5	14.27	0.56	19.84	0.78
20	31.75	1.25	38.10	1.5	101.60	4	15.88	0.62	21.44	0.84
22	34.92	1.37	41.28	1.62	101.60	4	15.88	0.62	21.44	0.84
24	38.10	1.5	44.45	1.75	101.60	4	16.71	0.65	22.22	0.87