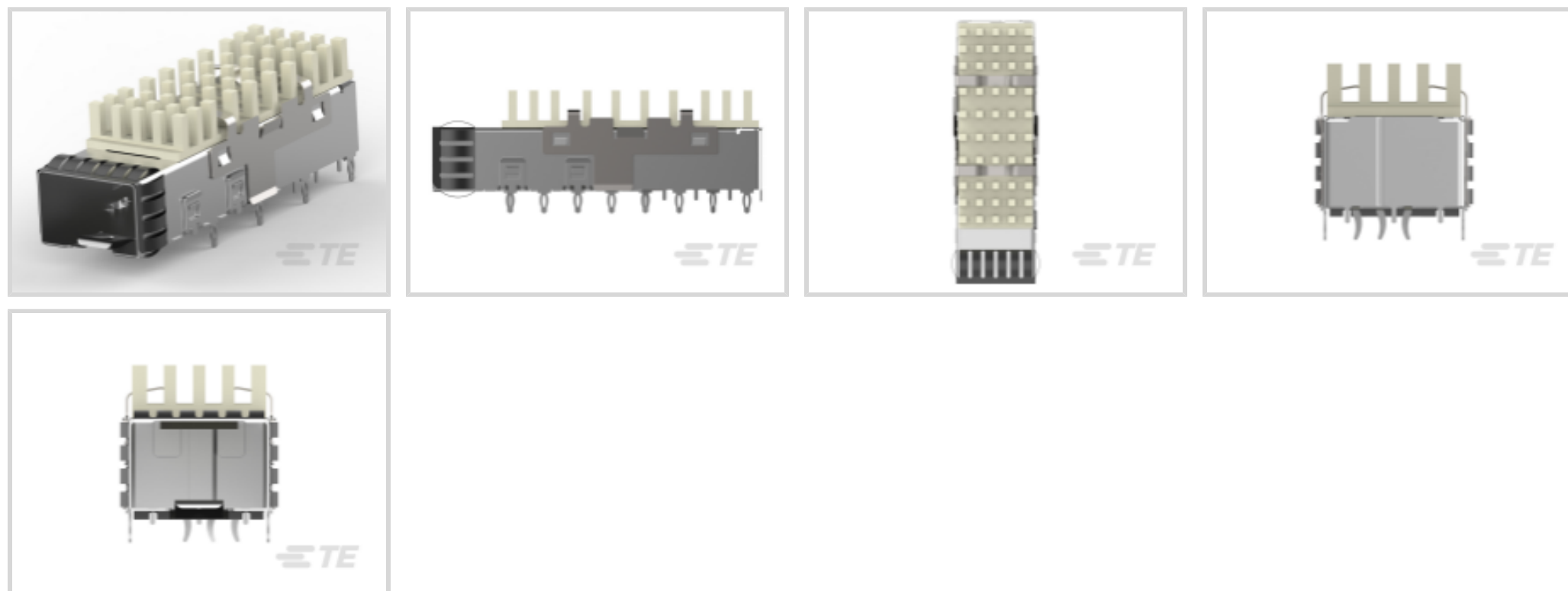




TE Internal #: 2007464-2
 SFP, SFP+ & zSFP+, Cage Assembly, Data Rate (Max) 16 Gb/s,
 External Springs, SFP+, Not Optional, 1 x 1, Through Hole - Press-Fit, 1 Port

[View on TE.com >](#)

Connectors > Pluggable IO Connectors & Cages > SFP, SFP+ & zSFP+



Pluggable I/O Product Type: **Cage Assembly**
 Data Rate (Max): **16 Gb/s**
 EMI Containment Feature Type: **External Springs**
 Pluggable I/O Applications: **SFP+**
 Lightpipe Options: **Not Optional**

Features

Product Type Features

Form Factor	SFP+
Cage Type	Single
Thermal Accessory Type Included	Heat Sink
Pluggable I/O Product Type	Cage Assembly
Lightpipe Options	Not Optional
Connector System	Cable-to-Board
Sealable	No
Connector & Contact Terminates To	Printed Circuit Board

Configuration Features

Port Matrix Configuration	1 x 1
Number of Ports	1

Electrical Characteristics

Data Rate (Max)	16 Gb/s
-----------------	---------

Body Features

--	--



Heat Sink Height Class	Tall
Heat Sink Height	6.5 mm[.256 in]
Heat Sink Style	Pin

Termination Features

Termination Post & Tail Length	2.05 mm[.081 in]
Termination Method to Printed Circuit Board	Through Hole - Press-Fit

Mechanical Attachment

Connector Mounting Type	Board Mount
-------------------------	-------------

Housing Features

Cage Material	Nickel Silver
---------------	---------------

Dimensions

PCB Thickness (Recommended)	2.25 mm[.089 in]
-----------------------------	------------------

Usage Conditions

Operating Temperature Range	-55 – 105 °C[-67 – 221 °F]
-----------------------------	----------------------------

Operation/Application

Heat Sink Compatible	Yes
For Use With Pluggable I/O Products	SFP+ SMT Connector
Pluggable I/O Applications	SFP+
Circuit Application	Signal

Packaging Features

Packaging Method	Box, Box & Tray
------------------	-----------------

Other

EMI Containment Feature Type	External Springs
------------------------------	------------------

Product Compliance

[For compliance documentation, visit the product page on TE.com>](#)

EU RoHS Directive 2011/65/EU	Compliant
EU ELV Directive 2000/53/EC	Compliant
China RoHS 2 Directive MIIT Order No 32, 2016	No Restricted Materials Above Threshold
EU REACH Regulation (EC) No. 1907/2006	Current ECHA Candidate List: JUNE 2022 (224) Candidate List Declared Against: JUNE 2022 (224)



Does not contain REACH SVHC

Halogen Content

Low Halogen - Br, Cl, F, I < 900 ppm per homogenous material. Also BFR/CFR/PVC Free

Solder Process Capability

Not applicable for solder process capability

Product Compliance Disclaimer

This information is provided based on reasonable inquiry of our suppliers and represents our current actual knowledge based on the information they provided. This information is subject to change. The part numbers that TE has identified as EU RoHS compliant have a maximum concentration of 0.1% by weight in homogenous materials for lead, hexavalent chromium, mercury, PBB, PBDE, DBP, BBP, DEHP, DIBP, and 0.01% for cadmium, or qualify for an exemption to these limits as defined in the Annexes of Directive 2011/65/EU (RoHS2). Finished electrical and electronic equipment products will be CE marked as required by Directive 2011/65/EU. Components may not be CE marked. Additionally, the part numbers that TE has identified as EU ELV compliant have a maximum concentration of 0.1% by weight in homogenous materials for lead, hexavalent chromium, and mercury, and 0.01% for cadmium, or qualify for an exemption to these limits as defined in the Annexes of Directive 2000/53/EC (ELV). Regarding the REACH Regulation, the information TE provides on SVHC in articles for this part number is based on the latest European Chemicals Agency (ECHA) 'Guidance on requirements for substances in articles' posted at this URL: <https://echa.europa.eu/guidance-documents/guidance-on-reach>

Compatible Parts



TE Part # CAT-SF59-C76264
SFP Connectors



TE Part # CAT-C11-H50626
SFP+ to SFP+ I/O Cable Assembly: 30 AWG



TE Part # CAT-C11-N490333
QSFP28-Four SFP+ Cable Assembly: 30 AWG



TE Part # CAT-C11-N490325
QSFP28-Four SFP+ Cable Assembly: 26 AWG



TE Part # 2334985-2
SFP28 DIRECT ATTACH CA, 1M, 32AWG



TE Part # CAT-C11-N490114
SFP28 to SFP28 Cable Assembly: 30 AWG



TE Part # CAT-C11-N49011
SFP28 to SFP28 Cable Assembly: 26 AWG



TE Part # CAT-Q17-N49011
QSFP56-Four SFP56 Cable Assembly: 30 AWG



TE Part # CAT-Q17-N490333
QSFP56-Four SFP56 Cable Assembly: 26 AWG



TE Part # 4-2821222-5
SFP56 DIRECT ATTACH CA, 2M, 30AWG



TE Part # 4-2821224-5
SFP56 DIRECT ATTACH CA, 3M, 26AWG



TE Part # 4-2334985-2
SFP56 DIRECT ATTACH CA, 1M, 32AWG




TE Part # 1367147-1
SFP COVER, UNPLATED



TE Part # 1367147-3
SFP COVER, UNPL, NO LOGO



TE Part # 1761394-1
DUST COVER, SFP, GANGED & STACKED



TE Part # CAT-C11-H5
SFP+ to SFP+ I/O Cable Assembly: 24 AWG



TE Part # CAT-C11-H506
SFP+ to SFP+ I/O Cable Assembly: 26 AWG



TE Part # CAT-C11-H5062
SFP+ to SFP+ I/O Cable Assembly: 28 AWG



TE Part # 2057500-1
Light Pipe, Ganged SFP+

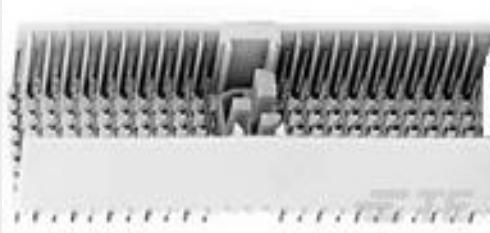


TE Part # 2142970-1
CABLE ASSY, MICRO SFP+ TO STD SFP+, 0.5M

Customers Also Bought



TE Part #5745781-6
09 MSFL RCPT RA 318 (SL,FM)



TE Part #5100668-1
Z-PACK M.ASSY.154P.



TE Part #5-146280-6
06 MODII HDR SRST B/A .100CL



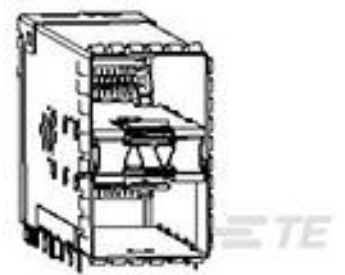
TE Part #5223979-1
UPM GUIDE MODULE



TE Part #1888566-1
IMJ,1X1,PNL GRD,LED(YG/YG), SN



TE Part #6469025-1
HM-ZD 2PR HDR 40P 2.5MM



TE Part #2198318-7
zSFP+ STACKED 2X1 RECEPTACLE ASSEMBLY



TE Part #6-1337494-0
BNC R/A Shld PCB Skt 50Ohm Nickel Pltd B

TE Part #1-2040727-2
DDR3 DIMM ASSY BOSS TYPE

TE Part #M3021-000005-2K5PG
PRESS XDCR M3021-000005-2K5PG

Documents



CAD Files

Customer View Model

[ENG_CVM_CVM_2007464-2_C.2d_dxf.zip](#)

English

3D PDF

3D

Customer View Model

[ENG_CVM_CVM_2007464-2_C.3d_igs.zip](#)

English

Customer View Model

[ENG_CVM_CVM_2007464-2_C.3d_stp.zip](#)

English

By downloading the CAD file I accept and agree to the [Terms and Conditions](#) of use.

Datasheets & Catalog Pages

[1773408-1 Pluggable Input/Output Solutions catalog - SFP+ section](#)

English

[SFP+ Product Family: Cages, Connectors, Cable Assemblies 4-1773449-5](#)

English

[4-1773455-3 - Quick Reference Guide SFP+ Solutions](#)

English

Product Specifications

[Application Specification](#)

English

[Application Specification](#)

English

Product Environmental Compliance

[MD_2007464-2_10282015640_dmtec](#)

English

[MD_2007464-2_10282015640_dmtec](#)

English