

2053638-5 ✓ ACTIVE

QSFP/QSFP+

TE Internal #: 2053638-5

QSFP Cable Assembly, 16 Positions, 16.404 ft [5 m], 10 Gb/s, Black
Cable, Shielded, 26 AWG, .129 mm²

[View on TE.com >](#)



Cable Assemblies > Copper Cable Assemblies > Pluggable I/O Cable Assemblies



Cable Assembly Type: **QSFP**

Equalized: **No**

Wire Size: **.129 mm²**

Outside Cable Diameter: **8.76 mm [.345 in]**

Features

Product Type Features

Latching Style	Slide Latch
Product Type	Cable Assembly
Cable Assembly Category	High Speed
Cable Assembly Type	QSFP
Connector Type (End A)	QSFP Plug
Connector Type (End B)	QSFP Plug
Cable Style	Madison TurboTwin, Madison TurboTwin - Round Jacketed

Configuration Features

Configuration	Double-Ended
Number of Positions	16
Number of Pairs	8
Number of Power Positions	0
Number of Signal Positions	16

Electrical Characteristics

Impedance	100 Ω
-----------	-------



Signal Characteristics

Data Rate	10 Gb/s
-----------	---------

Body Features

Release Type	Pull Tab
Strain Relief Type	HST
Shield Material	Aluminum/Polyester Tape/Tin-Plated Copper Braid
Jacket Material	Flexible PVC
Equalized	No
Cable Color	Black
Cable Flammability Rating	CL2

Contact Features

Contact Mating Area Plating Material	Gold
--------------------------------------	------

Mechanical Attachment

Jackscrew	Without
Mating Alignment	Without

Housing Features

Housing Material	Zinc Die
------------------	----------

Dimensions

Wire Size	.129 mm ²
Outside Cable Diameter	8.76 mm [.345 in]

Operation/Application

Shielded	Yes
Halogen Free	No

Other

CLOUDSPLITTER	No
Cable Assembly Length	5 m [16.404 ft]

Product Compliance

[For compliance documentation, visit the product page on TE.com>](#)

EU RoHS Directive 2011/65/EU	Compliant with Exemptions
EU ELV Directive 2000/53/EC	Compliant with Exemptions



China RoHS 2 Directive MIIT Order No 32, 2016	Restricted Materials Above Threshold
EU REACH Regulation (EC) No. 1907/2006	Current ECHA Candidate List: JUNE 2022 (224) Candidate List Declared Against: JAN 2022 (223) Does not contain REACH SVHC
Halogen Content	Not Low Halogen - contains Br or Cl > 900 ppm.
Solder Process Capability	Not applicable for solder process capability

Product Compliance Disclaimer

This information is provided based on reasonable inquiry of our suppliers and represents our current actual knowledge based on the information they provided. This information is subject to change. The part numbers that TE has identified as EU RoHS compliant have a maximum concentration of 0.1% by weight in homogenous materials for lead, hexavalent chromium, mercury, PBB, PBDE, DBP, BBP, DEHP, DIBP, and 0.01% for cadmium, or qualify for an exemption to these limits as defined in the Annexes of Directive 2011/65/EU (RoHS2). Finished electrical and electronic equipment products will be CE marked as required by Directive 2011/65/EU. Components may not be CE marked. Additionally, the part numbers that TE has identified as EU ELV compliant have a maximum concentration of 0.1% by weight in homogenous materials for lead, hexavalent chromium, and mercury, and 0.01% for cadmium, or qualify for an exemption to these limits as defined in the Annexes of Directive 2000/53/EC (ELV). Regarding the REACH Regulation, the information TE provides on SVHC in articles for this part number is based on the latest European Chemicals Agency (ECHA) 'Guidance on requirements for substances in articles' posted at this URL: <https://echa.europa.eu/guidance-documents/guidance-on-reach>

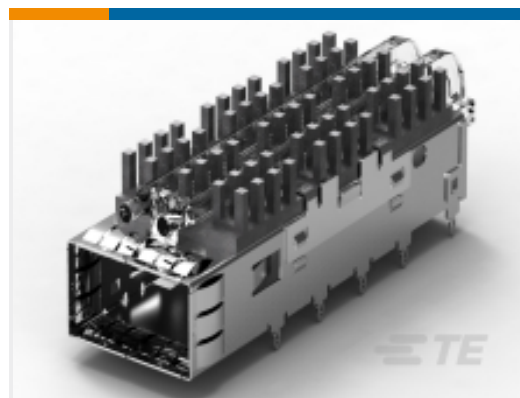
Compatible Parts



TE Part # CAT-Q17-AC229
QSFP Heat Sink Clips



TE Part # 2143330-1
1x6 QSFP Kit Assy Bhnd Bzl,PCI



TE Part # 1888971-1
Cage Assy Thru Bezelw/LP San, QSFP



TE Part # 1888631-1
Cage Assy PCI Hsink QSFP Thru



TE Part # 2007626-1
1x4 QSFP Kit Assy Sqr LP, SAN Htsnk



TE Part # 2007456-1
1x3 QSFP Kit Assy Bhnd Bzl,PCI



TE Part # 1888781-1
Cage Assy Behind Bezel QSFP



TE Part # 1888617-1
Cage Assy, QSFP, Through Bezel



TE Part # 1888971-3
QSFP TB Cage Assy, w/LP, PCI HS



TE Part # 1-1761987-8
ReceptacleConnAssm38PosTape/Re



TE Part # 1888631-2
Cage Assy SAN Hsink QSFP Thru Bezel



TE Part # 1761987-9
ReceptacleConnAssm38PosTape/Re



TE Part # 2007304-1
Heat sink Clip QSFP



TE Part # 1888968-1
Cage Assy PCI Hsink QSFP Behind Bezel



TE Part # 2110487-1
QSFP Cage, Solder Leg, No HS Opening



TE Part # 2110819-1
QSFP+ Enh EVERCLEAR PT Conn



TE Part # 1888674-1
Cage Assy, QSFP, Through Bezel



TE Part # 1888968-2
Cage Assy SAN Hsink QSFP Behind Bezel



TE Part # 2007626-2
1x4 QSFP Kit Assy Sqr LP, Networking



TE Part # 2085945-7
QSFP+ Assy, 2x1, Gskt, 4LP-All, Sn EONs

Also in the Series | **QSFP/QSFP+**



Heat Sinks(1)



Pluggable I/O Cable Assemblies(33)



QSFP, QSFP+ & zQSFP+(168)

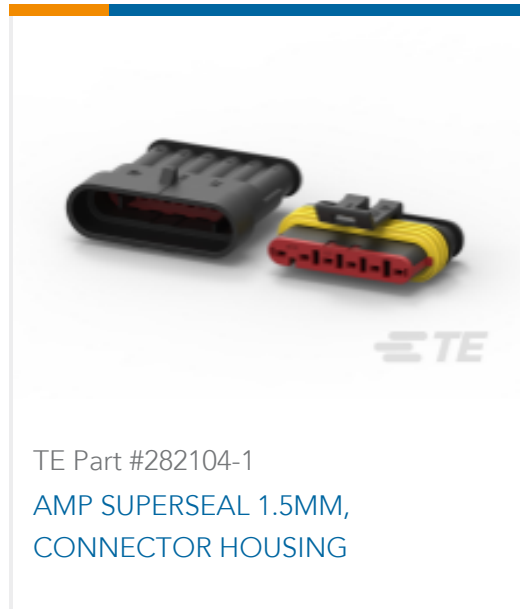
Customers Also Bought



TE Part #DT04-2P
DEUTSCH DT Series Housings & Connectors



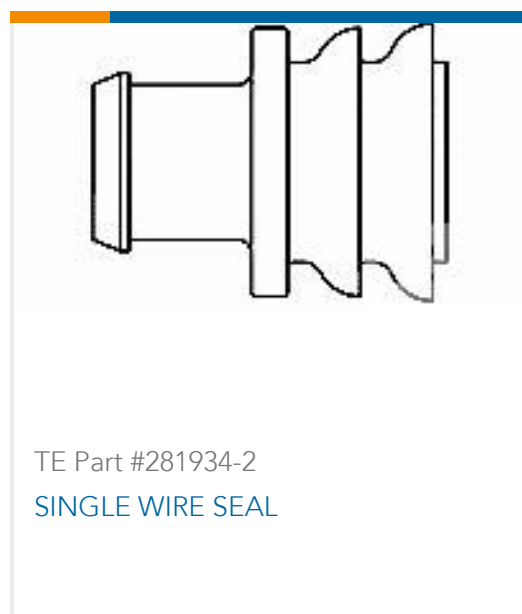
TE Part #W2S
DEUTSCH DT WEDGELOCKS



TE Part #282104-1
AMP SUPERSEAL 1.5MM, CONNECTOR HOUSING



TE Part #206070-8
CABLE CLAMP KIT #17



Documents

Product Drawings

C/A, QSFP, 5M, P1-P2, UNEQUALIZED

English

CAD Files

3D PDF

3D

Customer View Model

[ENG_CVM_CVM_2053638-5_Y.2d_dxf.zip](#)

English

Customer View Model

[ENG_CVM_CVM_2053638-5_Y.3d_igs.zip](#)

English

Customer View Model

[ENG_CVM_CVM_2053638-5_Y.3d_stp.zip](#)

English

By downloading the CAD file I accept and agree to the [Terms and Conditions](#) of use.

Datasheets & Catalog Pages

[1773408-1 Pluggable Input/Output Solutions catalog - QSFP section](#)

English

[9-1773458-9_QSFP/QSFP+_HIGH_SPEED_COPPER_CABLE_ASSEMBLIES](#)

English