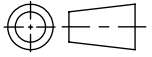
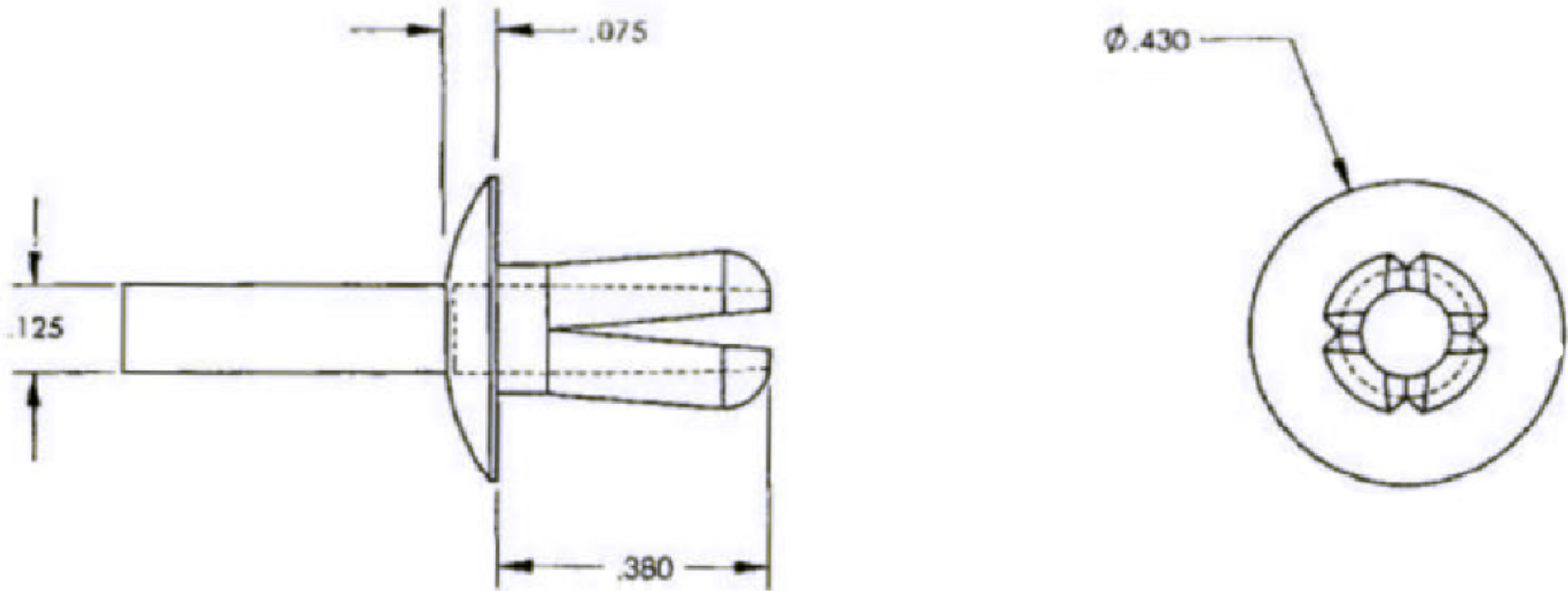


SW2014



Revision level			Revision Record	Changed	Date	Approved	Date
Drawing	State	Part					
A.0	In Work		SEE ECN# 013193	SNH	7/13/2015	KAC	7/13/2015



TOLERANCES UNLESS NOTED
 ±.005 ON DIMENSIONS THRU .625
 ±.008 ON DIMENSIONS THRU 1.000
 ±.010 ON DIMENSIONS 1.001 THRU 1.500
 ±.015 ON DIMENSIONS LARGER THAN 1.500
 AND ON FRACTIONAL DIMENSIONS

Material PA66	Units: inches	The copyright of this drawing is reserved by HellermannTyton. It is issued on condition that it is not reproduced, copied, or disclosed to a third party, either wholly or in part, without the consent of HellermannTyton.	Drawn	SNH	7/13/2015	Article/Type-No PR1	Scale 1:1	
	Dimension without tolerances details to: .xxxx = ±.0005 .xxx = ±.005 .xx = ±.01 .x = ±.03 None = ±.06 < = ±0.5° Dimension Formatted in/[mm]		Approved	KAC	7/13/2015	Title PANEL RIVET	Project Number PRP 15-0403	
	HellermannTyton North America Email: corp@htamericas.com Web: www.hellermann.tyton.com			Drawing-No		: Phase	Format AH	
				15-0403-001-CSU			Sheet 1/1	