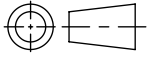
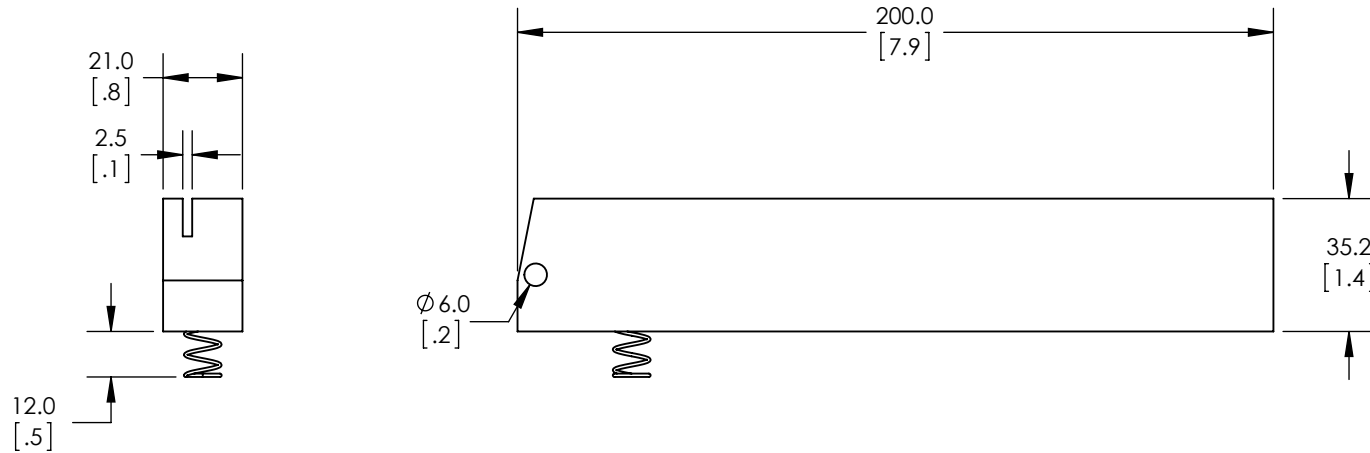
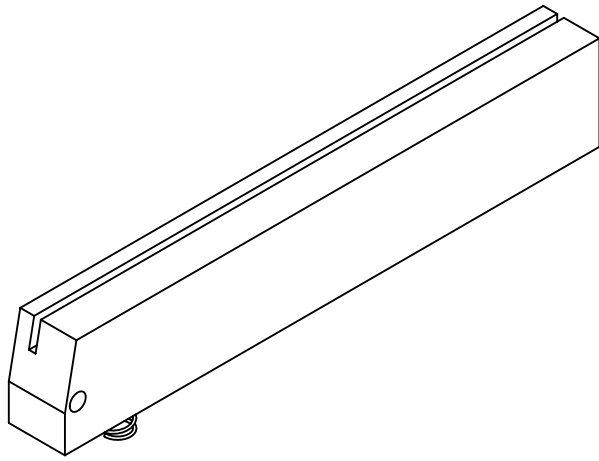


SW2015



Revision level			Revision Record	Changed	Date	Approved	Date
Drawing	State	Part					
00.0	Design Release		SEE ECN# 013989	CAS	8-7-2017	KAC	8-7-2017



Material
ASSEMBLED

Units: **millimeters**
 Dimension without tolerances details to:
 .xxx = ±.013
 .xx = ±.13
 .x = ±.3
 None = ±.8
 < = ±0.5°
 Dimension Formatted mm/[in]

The copyright of this drawing is reserved by HellermannTyton. It is issued on condition that it is not reproduced, copied, or disclosed to a third party, either wholly or in part, without the consent of HellermannTyton.

Drawn	CAS	8-7-2017
Approved	KAC	8-7-2017

HellermannTyton
 North America
 Email: corp@htamericas.com
 Web: www.hellermann.tyton.com

Article/Type-No	904-00297
Title	WIRING DUCT CUTTING TOOL PRESSURE PAD
Drawing-No	PRODUCTION : Phase 17-1568-001-CSU

Scale	1:1
Project Number	PRP 17-1568
Format	AH
Sheet	1/1