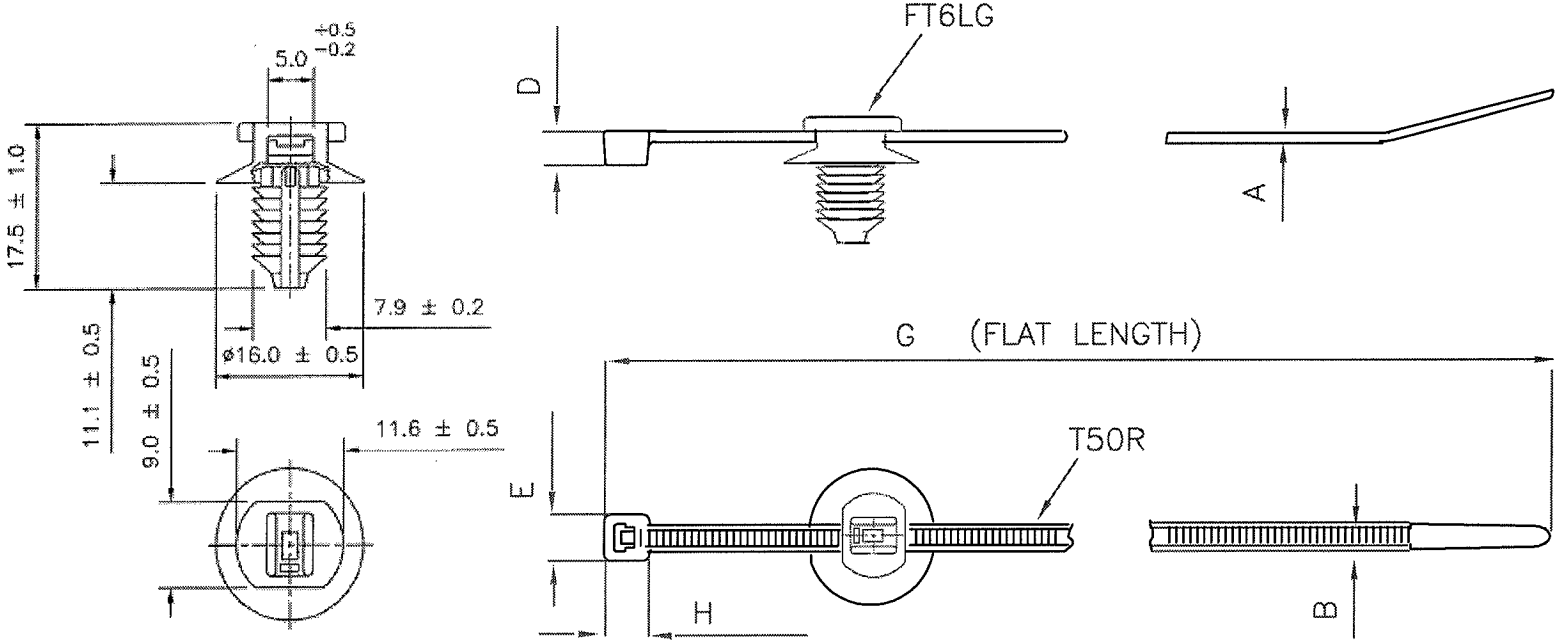




Revision level		Revision Record	Changed	Date	Approved	Date
Part	Drawing					



A	B	D	E	G	H
1.2 ± 0.2	4.6 ± 0.2	5.9 ± 0.6	7.6 ± 0.9	202.0 ± 6.0	7.3 ± 0.7

Hole size (mm)	6.5 to 7.0 ± 0.1
Panel thickness (mm)	0.75 to 6.0
Bundle (mm)	1.5 to 50
Tensile strength	225N

Material	P.A. 66
Dimension without tolerances details to:	DIN 16901
Tolerances	PERFORMANCE SPECIFICATION

The copyright of this drawing is reserved by HELLERMANNTYTON. It is issued on condition that it is not reproduced, copied or disclosed to a third party, either wholly or in part, without the consent of HELLERMANNTYTON.

Drawn	MANDY ONG	27/04/07
Approved.	EDWARD TAN	27/04/07

**HellermannTyton**  
 545, Yishun Industrial Park A  
 Yishun Avenue 7  
 Singapore 768741  
 Tel: (+65) 6852 8585  
 Fax: (+65) 6756 6798

Scale	not to scale
Title	T50RFT6LG
Drawing-No	SG07020-00
Format	A4
Sheet	1 of 1

Uncontrolled Document