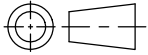
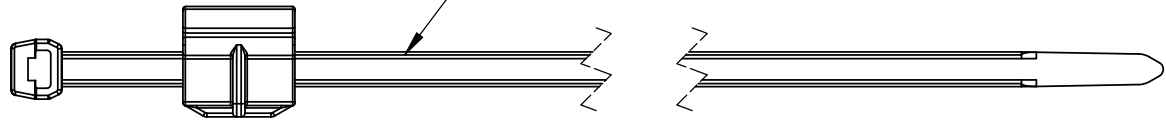


SW2010

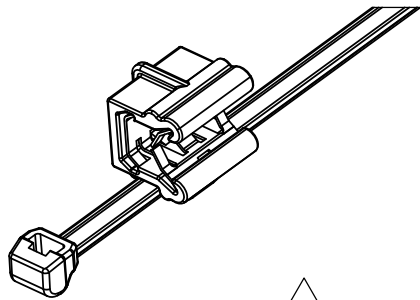
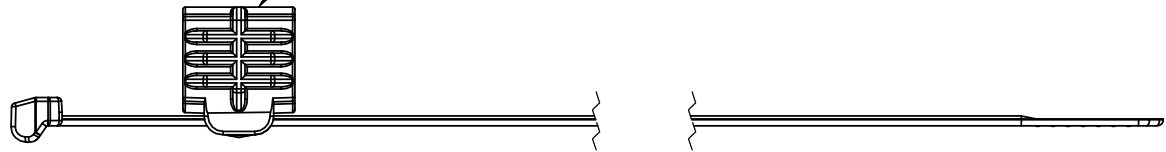


Revision level		Revision Record	Changed	Date	Approved	Date
Drawing	Part					
01	-	SEE ECN# 011893	AAC	07/13/2011	AAC	07/13/2011

T50ROS
SEE CHART FOR TIE
DRAWING AND MATERIAL



EC24
SEE CHART FOR MOUNT
DRAWING AND MATERIAL



01

DELIVERY CONDITION:
CABLE TIE HEAD COULD BE AT THE LEFT
OR RIGHT SIDE OF EDGE CLIP

Material SEE CHART	TYPE	BUNDLE RANGE	CABLE TIE		MOUNT		
			DRAWING	MATERIAL	DRAWING	MATERIAL	
	T50ROSEC24	5 TO 50	CT10-0737-002CST	PA66HS	04-832-001-CSG	PA66HIRHS	
Units millimeters Dimension without tolerances details to: .XXXX = ±.0025 .XXX = ±.013 .XX = ±.13 .X = ±.3 None = ±.8 ∠ = ±0.5°	Drawn AAC 05/11/2011		Article/Type-No T50ROSEC24			Scale 1:1	
	Approved AAC 07/13/2011		Title T50ROS OUTSIDE SERRATED CABLE TIE WITH EC24 MOUNT			Project Number PRPNT832-04	
	HellermannTyton North America Email: corp@htamericas.com Web: www.hellermann.tyton.com		Drawing-No 04-0832-003-CSU		Production : Phase		Format AH
							Sheet 1/1

The copyright of this drawing is reserved by HellermannTyton. It is issued on condition that it is not reproduced, copied, or disclosed to a third party, either wholly or in part, without the consent of HellermannTyton.

Product Number
Cross Reference Record

Uncontrolled Document

Pre-UNS Number System	(New) UNS Universal Number System	Customer Part Number
Product Number T50ROSEC24	Product Number 156-00878	Product Number -
Reference Drawing Number: 04-0832-003-CSU		

Issued By:	(New) UNS Product Number	Issue Date:
HellermannTyton	Universal Numbering System	November 30, 2011