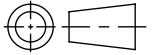


SW2014



SUPERSEDES DWG MT1013002CST, REV 02

Revision level			Revision Record	Changed	Date	Approved	Date
Drawing	State	Part					
00.1	Design Release	-	SEE ECN# 013200	KEP	7/20/2015	KAC	7/20/2015

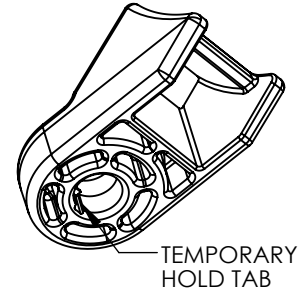
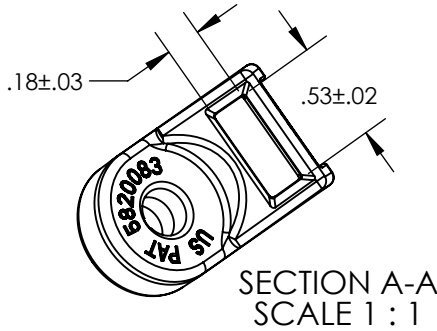
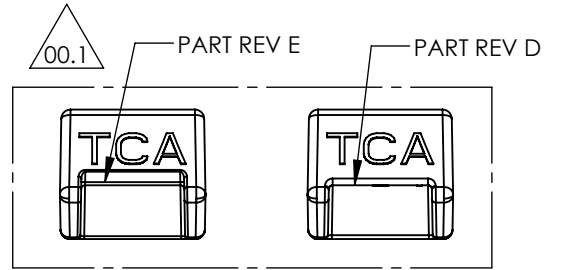
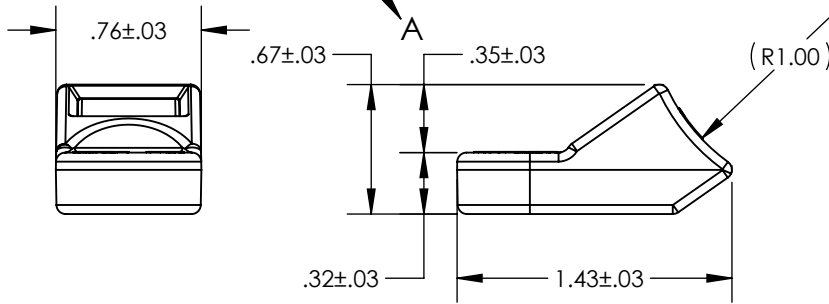


TABLE OF PART NUMBERS		
PART NUMBER	PART REV	HOLE DIA
HDM19	D or E	3/16"
HDM25	D or E	1/4"
HDM312	D or E	5/16"

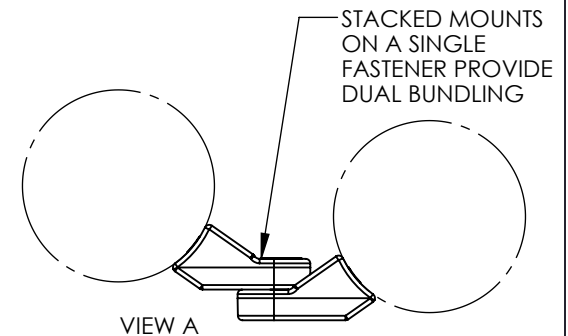
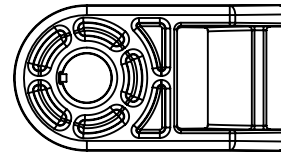


PRODUCT EXISTS WITH BOTH GEOMETRIES SHOWN ABOVE



REFERENCE FEATURES:

- RUGGED HEAVY DUTY DESIGN & MATERIAL
- 250 lb ASSEMBLY STRENGTH IN ANY DIRECTION
- WITHSTANDS 115 in-lb OF TORQUE APPLIED TO 1/4" FASTENER WITH WASHER
- FASTEN MOUNT WITH STUD, BOLT, SCREW, RIVET, NAIL, ETC...
- SMALL TAB INSIDE HOLE ENGAGES THREADS TEMPORARILY
- ACCEPTS MOST STANDARD CABLE TIES UP TO 1/2" WIDE
- MOUNTS ARE DESIGNED TO BE VERTICALLY STACKED ON A SINGLE FASTENER TO ALLOW DUAL BUNDLING - SEE VIEW A
- ALSO CHAINING OF MULTIPLE BUNDLES ON A SINGLE MOUNT IS AVAILABLE IF T250 WITH BUCKLE/MOUNT FEATURE IS USED
- OPTIONAL MOUNTING HOLE DIAMETERS ARE AVAILABLE UP TO 5/16" - CONTACT TYTON FOR SPECIFIC HOLE SIZES & PRICING



Material
PA66HIRHSUV BLACK

Units: inches
Dimension without tolerances details to:
.xxxx = ±.0005
.xxx = ±.005
.xx = ±.01
.x = ±.03
None = ±.06
∠ = ±0.5°
Dimension Formatted in [mm]

The copyright of this drawing is reserved by HellermannTyton. It is issued on condition that it is not reproduced, copied, or disclosed to a third party, either wholly or in part, without the consent of HellermannTyton.

Drawn	KEP	7/20/2015
Approved	KAC	7/20/2015
HellermannTyton		
North America Email: corp@htamericas.com Web: www.hellermann.tyton.com		

Article/Type-No	SEE TABLE	Scale	1:1
Title	HEAVY-DUTY CABLE TIE MOUNT WITH MOUNTING HOLE	Project Number	PRP 15-0351
Drawing-No	15-0351-001-CSU	Format	AH
	PRODUCTION : Phase	Sheet	1/1

