



## Antennas

Wireless Application: **Bluetooth, Wi-Fi, WLAN, ZigBee**Mounts To: **Non Conductive Surface**Mounting Type: **Adhesive**Antenna Connector Type: **MHF**Cable Length: **.12 m [.39 ft]****Features****Product Type Features**

Antenna Connector Type	MHF
------------------------	-----

**Configuration Features**

Band Type	Dual Band
Number of Ports	1
Antenna Style	Embedded
Antenna Type	Thin PCB

**Electrical Characteristics**

VSWR (Max)	<2:1
Impedance	50 $\Omega$
Antenna Operation	Passive

**Signal Characteristics**

Frequency Band	2400 – 2483.5 MHz, 4900 – 5875 MHz
Gain (Max)	3.7 dB

**Body Features**

Product Weight	1.4 g [.0494 oz]
----------------	------------------

**Mechanical Attachment**

Polarization	Linear
Mounts To	Non Conductive Surface
Mounting Type	Adhesive



### Dimensions

Cable Length	.12 m [.39 ft]
Product Length	40.16 mm [1.575 in]
Product Width	8 mm [.315 in]
Product Height	1 mm [.039 in]

### Operation/Application

Coverage Type	Omnidirectional
Wireless Standard	802.11 a/b/g/n/ac/ad, Bluetooth, ZigBee & Wi-Fi

### Industry Standards

Wireless Application	Bluetooth, Wi-Fi, WLAN, ZigBee
----------------------	--------------------------------

### Product Availability

Applicable Region	Global
-------------------	--------

### Packaging Features

Packaging Method	Bag & Box
------------------	-----------

### Other

Precision Level	Standard
-----------------	----------

## Product Compliance

[For compliance documentation, visit the product page on TE.com>](#)

EU RoHS Directive 2011/65/EU	Compliant
EU ELV Directive 2000/53/EC	Compliant
China RoHS 2 Directive MIIT Order No 32, 2016	No Restricted Materials Above Threshold
EU REACH Regulation (EC) No. 1907/2006	Current ECHA Candidate List: JUNE 2022 (224) Candidate List Declared Against: JAN 2021 (211) Does not contain REACH SVHC
Halogen Content	Low Bromine/Chlorine - Br and Cl < 900 ppm per homogenous material. Also BFR /CFR/PVC Free
Solder Process Capability	Not applicable for solder process capability

#### Product Compliance Disclaimer

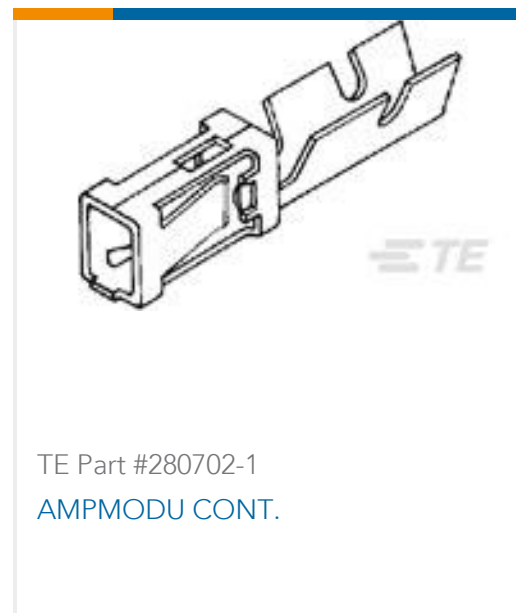
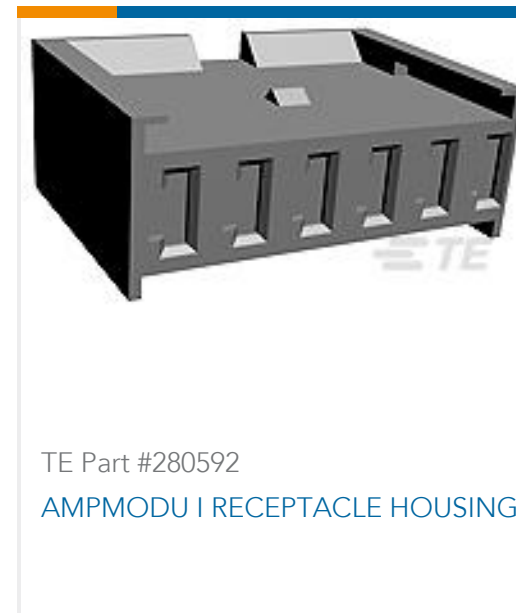
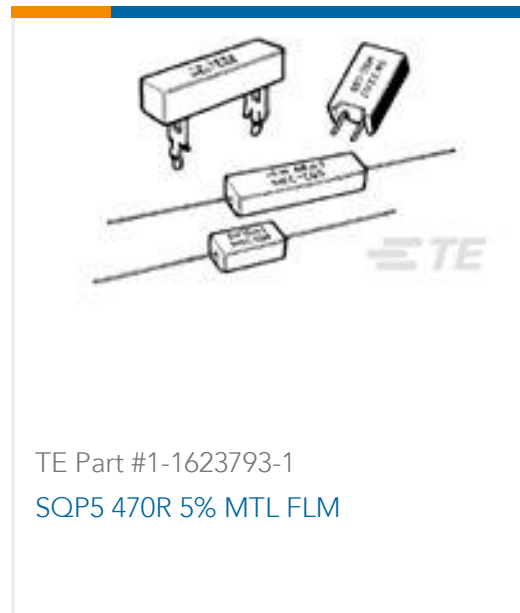
This information is provided based on reasonable inquiry of our suppliers and represents our current actual knowledge based on the information they provided. This information is subject to change. The part numbers that TE has identified as

EU RoHS compliant have a maximum concentration of 0.1% by weight in homogenous materials for lead, hexavalent chromium, mercury, PBB, PBDE, DBP, BBP, DEHP, DIBP, and 0.01% for cadmium, or qualify for an exemption to these limits as defined in the Annexes of Directive 2011/65/EU (RoHS2). Finished electrical and electronic equipment products will be CE marked as required by Directive 2011/65/EU. Components may not be CE marked. Additionally, the part numbers that TE has identified as EU ELV compliant have a maximum concentration of 0.1% by weight in homogenous materials for lead, hexavalent chromium, and mercury, and 0.01% for cadmium, or qualify for an exemption to these limits as defined in the Annexes of Directive 2000/53/EC (ELV). Regarding the REACH Regulation, the information TE provides on SVHC in articles for this part number is based on the latest European Chemicals Agency (ECHA) 'Guidance on requirements for substances in articles' posted at this URL: <https://echa.europa.eu/guidance-documents/guidance-on-reach>

## Compatible Parts



## Customers Also Bought





## Documents

### CAD Files

#### 3D PDF

3D

Customer View Model

[ENG\\_CVM\\_CVM\\_2118309-1\\_J.2d\\_dxf.zip](#)

English

Customer View Model

[ENG\\_CVM\\_CVM\\_2118309-1\\_J.3d\\_igs.zip](#)

English

Customer View Model

[ENG\\_CVM\\_CVM\\_2118309-1\\_J.3d\\_stp.zip](#)

English

By downloading the CAD file I accept and agree to the [Terms and Conditions](#) of use.

### Datasheets & Catalog Pages

[2400-2483.5 & 4900-5875 MHz Dual Band Antenna](#)

English

### Product Environmental Compliance

[Product Compliance](#)

English

[Product Compliance](#)

English