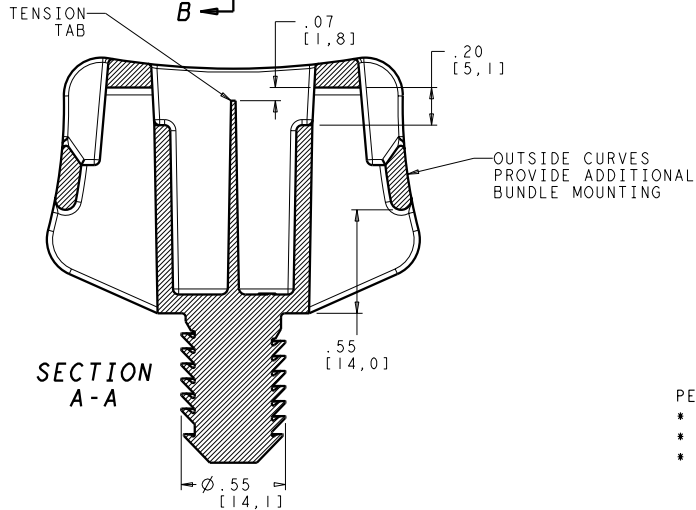
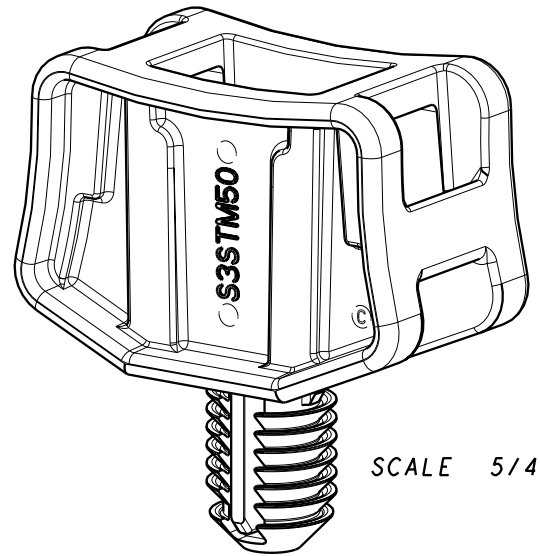


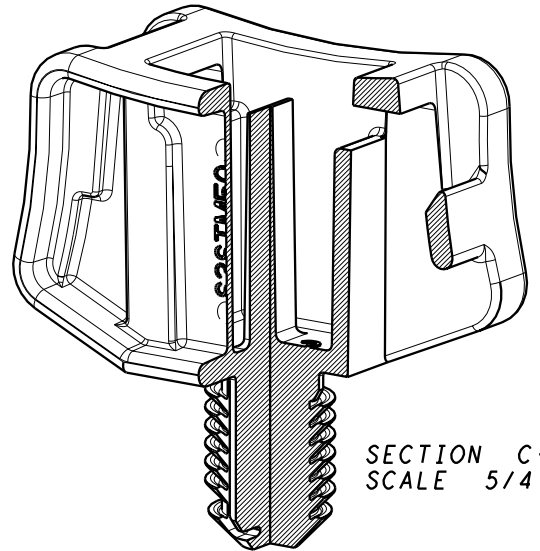
SECTION B-B



SECTION A-A



SCALE 5/4



SECTION C-C
SCALE 5/4

PERFORMANCE REQUIREMENTS:
 * FIR TREE MOUNTS INTO .520 +/- .020" HOLES
 * PANEL THICKNESS RANGE IS FROM .075 TO .515"
 * FIR TREE PULL OUT FORCE IS GREATER THAN 140lbs IN A .520" HOLE AND A SHEET METAL THICKNESS OF .237"

INVENTORS

HellermannTyton®

ALL PROPRIETARY RIGHTS IN THE SUBJECT MATTER SHOWN ON THIS DRAWING ARE EXCLUSIVE PROPERTY OF HELLERMANN TYTON

name	date	city, state
GERRY GEIGER	1/2/98	JACKSON WI

REVISION

D level	Δ 05
by	GGG
date	1/9/12
ECN #	012007
part level	C

DIMENSIONS

TO LEADING DIMENSIONS	.XXXX= ±0.005/[1,127]
	.XXX= ±0.010/[1,25]
	.XX= ±0.02/[1,5]
	.X= ±0.1/[2,5]
	∠= ±0.5
	unless otherwise specified
	units inches

PART

number	S3STM50	phase	PRODUCTION
name	STANDOFF 3-WAY SADDLE with 1/2" FIR TREE MOUNT		
material	NYLON 6/6 IMPACT MODIFIED, HEAT STABILIZED BLACK		

DRAWING

FORMAT AH version J	CAD PRO-E	scale 1/1
computer file number	previous number	
drawn G GEIGER	checked K Christian	approved
date 1/2/98	checked 1/9/12	approved
type CUSTOMER	sheet 1 of 1	
number	MT2022009CST	