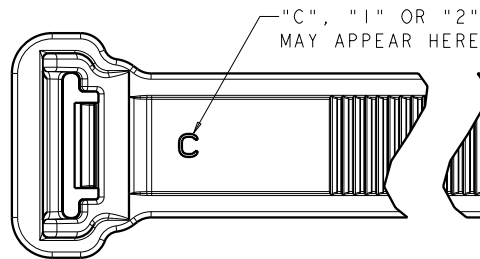
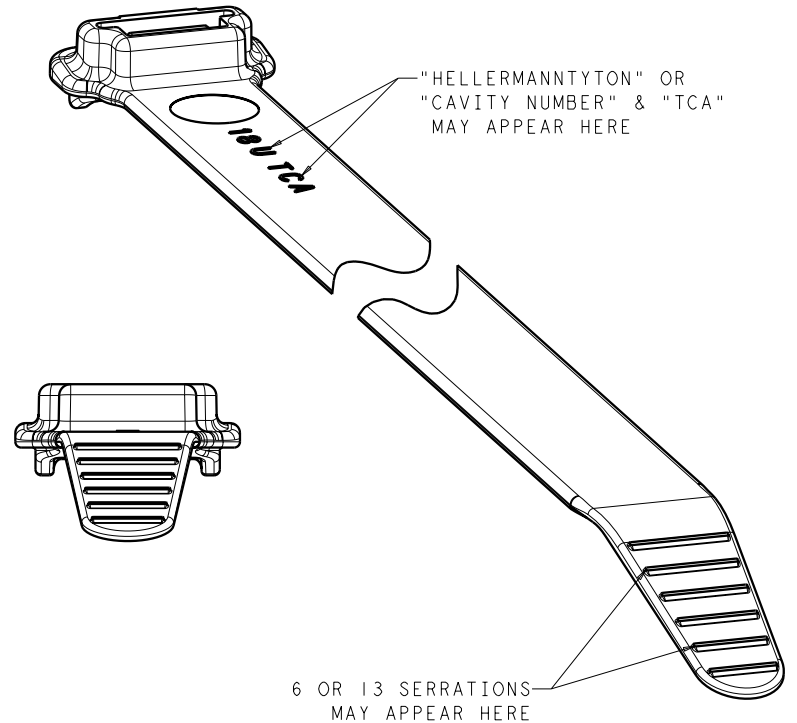


GATE LANDING
MAY VARY IN SIZE

SEE TABLE



"C", "1" OR "2"
MAY APPEAR HERE



- FEATURES:**
- WIDE STRAP TO MINIMIZE PINCHING OF SOFT HOSES & CONVOLUTE TUBING
 - LOW PROFILE HEAD
 - CLAMPING RAILS TO INCREASE CIRCUMFERENTIAL GRIP ON ROUND BUNDLES
 - WIDE VARIATION OF BUNDLE DIAMETERS .375" MINIMUM - MAXIMUM SEE TABLE
 - THIN/FLEXIBLE STRAP TIGHTENS EASILY ON SMALLER BUNDLE DIAMETERS
 - 120lb MIN LOOP TENSILE STRENGTH
 - COMPATIBLE WITH THE NEW HEAVY EQUIPMENT MOUNTS

| PART NUMBER | OVERALL LENGTH | MAX BUNDLE DIA |
|-------------|----------------|----------------|
| WSS | 9.1 | 2.25 |
| WSI | 12.1 | 3.25 |
| WSR | 15.1 | 4.125 |

HellermannTyton®

ALL PROPRIETARY RIGHTS IN THE SUBJECT MATTER SHOWN ON THIS DRAWING ARE EXCLUSIVE PROPERTY OF HELLERMANNTYTON

| | | |
|----------|---------|-------------|
| name | date | city, state |
| G GEIGER | 7/20/00 | JACKSON, WI |

REVISION

| | |
|------------|---------|
| level | 04 |
| by | GGG |
| date | 6/10/05 |
| ECN # | 010192 |
| part level | C |

TOLERANCES

.XXXX= ±0.005/[.127]
 .XXX= ±0.010/[.25]
 .XX= ±0.02/[.5]
 .X= ±0.25/[6,4]
 <= ±0.5

unless otherwise specified

units inches/(mm)

PART

number SEE TABLE phase PRODUCTION

name T120 WIDE STRAP
NON-RELEASABLE

material IMPACT MODIFIED, HEAT STABILIZED
UV RESISTANT, NYLON 6/6
BLACK

DRAWING

| | | |
|----------------------|---------------------|-----------|
| FORMAT AH version J | CAD PRO-E | scale 3/2 |
| computer file number | previous number | |
| drawn G GEIGER | checked K Christian | approved |
| 8/29/02 | 9/23/04 | |
| type CUSTOMER | sheet 1 of 1 | |
| number CT2127004CST | | |

Product Number
Cross Reference Record

Uncontrolled Document

| Pre-UNS Number System | (New) UNS Universal Number System | Customer Part Number |
|---|--|---------------------------------|
| Product Number | Product Number | Product Number |
| WSS | 111-12300 | - |
| Reference Drawing Number: CT2127004CST | | |

| | | |
|------------------------|-----------------------------------|------------------------|
| Issued By: | (New) UNS Product Number | Issue Date: |
| HellermannTyton | Universal Numbering System | August 25, 2010 |