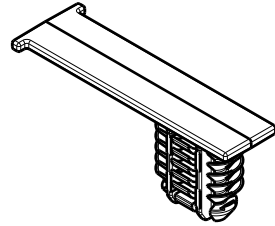
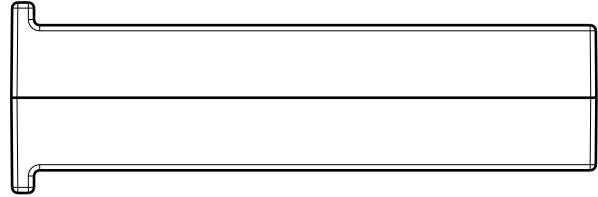
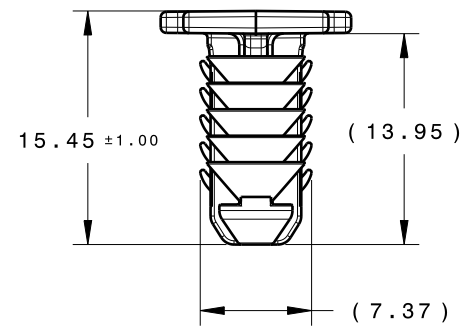
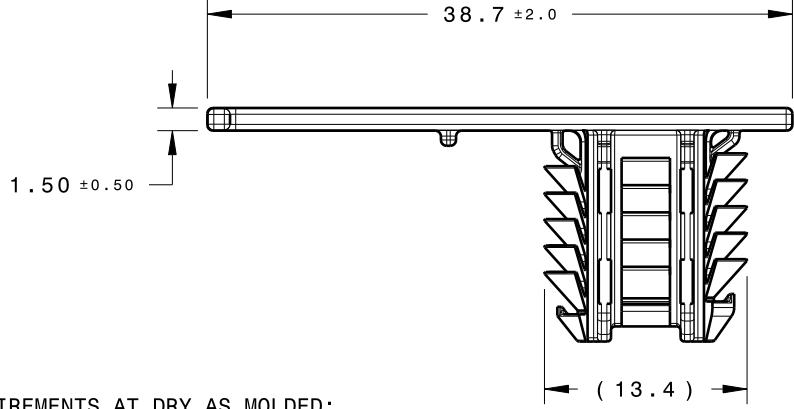


Revision Level			Revision Record	Changed	Date	Approved	Date
Drawing	State	Part					
06.1	Design Release	C	SEE ECN# 012604	CJR	03/12/14	KVH	03/12/14

06.1



ISOMETRIC VIEW (1/1)



- REFERENCE:
 PERFORMANCE REQUIREMENTS AT DRY AS MOLDED:
1. FIR TREE PUSH IN FORCE: REF. 10 LBS MAX IN EACH APPLICABLE OVAL HOLE SIZE AND A PLATE THICKNESS OF 1.8mm
 2. FIR TREE PULL OUT FORCE: REF. 25 LBS MIN IN EACH APPLICABLE OVAL HOLE SIZE AND A PLATE THICKNESS OF 1.8mm
 3. SHEET METAL THICKNESS RANGE: 0.60mm - 6.0mm
 4. APPLICABLE OVAL HOLE SIZES:
 - A. 6.2 X 12.2mm
 - B. 6.5 x 12.5mm
 - C. 6.5 x 13.0mm
 - D. 7.0 x 12.0mm

06.1	
COLOR	TYPE NUMBER
NATURAL	BCFTOVAL2
BLACK	BCFTOVAL2

Material
 PA66HIRHS
 COLOR: SEE TABLE

Units millimeters
 Tolerance defined on each dimension

The copyright of this drawing is reserved by HellermannTyton. It is issued on condition that it is not reproduced, copied or disclosed to a third party, either wholly or in part, without the consent of HellermannTyton.

Drawn	KVH	08/17/12
Approved	SJA	08/17/12
HellermannTyton		
North America Email: corp@htamericas.com Web: www.hellermann.tyton.com		

Article/Type-No SEE TABLE 06.1
 Title TAPE CLIP WITH OVAL FIR TREE
 Drawing-No PRODUCTION : Phase
11-0339-011-CSU

Scale 2:1
 Project Number 11-0339
 Format AH
 Sheet 1/1