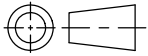
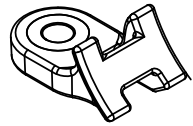


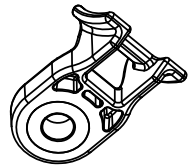
SW2015



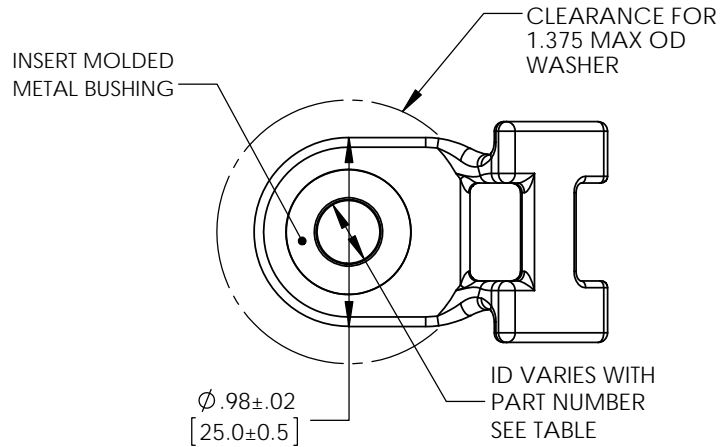
Revision level			Revision Record	Changed	Date	Approved	Date
Drawing	State	Part					
00.0	Design Release	-	SEE ECN# 014098	CTF	10/03/17	KAC	10/03/17



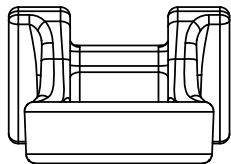
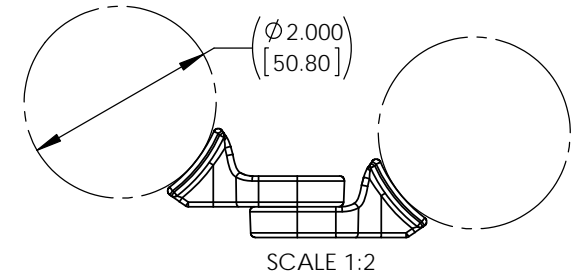
SCALE 1:2



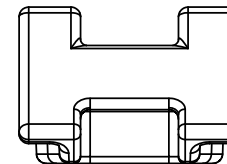
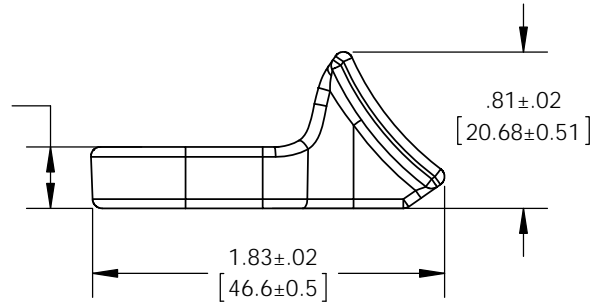
SCALE 1:2



STACKED MOUNTS ON A SINGLE FASTENER PROVIDE DUAL BUNDLING



.320 ± .020
[8.13 ± 0.51]



FEATURES:

- RUGGED HEAVY DUTY DESIGN & MATERIAL
- 250 LB ASSEMBLY STRENGTH PERPENDICULAR TO BOLT AXIS
- METAL BUSHING WITHSTANDS 114 lb-ft (155 N-m) OF TORQUE APPLIED TO FASTENER
- FASTEN MOUNT WITH STUD, BOLT, SCREW, RIVET, SPIKE, ETC...
- CLEARANCE FOR WASHER & SOCKET DURING ASSEMBLY - SEE VIEW B
- ACCEPTS MOST STANDARD CABLE TIES UP TO 1/2" WIDE
- MOUNTS ARE DESIGNED TO BE VERTICALLY STACKED ON A SINGLE FASTENER TO ALLOW DUAL BUNDLING - SEE VIEW C
- ALSO CHAINING OF MULTIPLE BUNDLES ON A SINGLE MOUNT IS AVAILABLE IF T250 WITH BUCKLE/MOUNT FEATURE IS USED
- MOUNTING HOLE DIAMETERS ARE AVAILABLE FROM 5/16" TO 1/2" - SEE TABLE

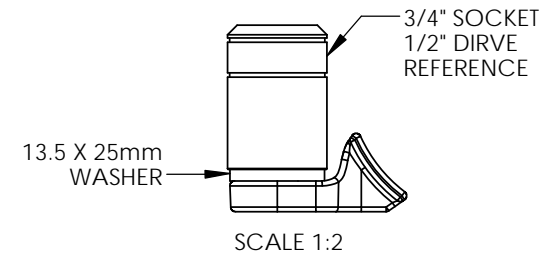
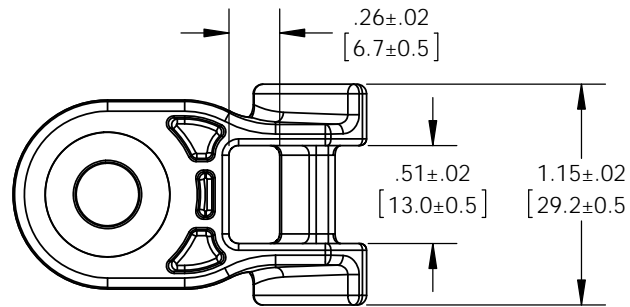


TABLE OF PART NUMBERS		
TYPE NAME	HOLE DIA	BOLT SIZE
HDM320B-ROHS	.327 [8.31]	5/16" & 8mm
HDM400B-ROHS	.405 [10.29]	3/8" & 10mm
HDM500B-ROHS	.510 [12.95]	1/2" & 12mm

Material
PA66HIRHSUV
COLOR: BLACK
METAL BUSHING, ROHS
COMPLIANT

Units: **inches**

Dimension without tolerances details to:
 .XXXX = ± .0005
 .XXX = ± .005
 .XX = ± .01
 .X = ± .03
 None = ± .06
 < = ± 0.5°

Dimension Formatted in [mm]

The copyright of this drawing is reserved by HellermannTyton. It is issued on condition that it is not reproduced, copied, or disclosed to a third party, either wholly or in part, without the consent of HellermannTyton.

Drawn CTF 10/03/17
Approved KAC 10/03/17

HellermannTyton
North America
Email: corp@htamericas.com
Web: www.hellermann.tyton.com

Article/Type-No SEE TABLE
Title HIGH TORQUE HEAVY-DUTY CABLE TIE MOUNT INSERT-MOLDED WITH METAL BUSHING - ROHS COMPLIANT
Drawing-No PRODUCTION : Phase
17-2118-002-CSU

Scale 1:1
Project Number PRP 17-2118
Format AH
Sheet 1/1