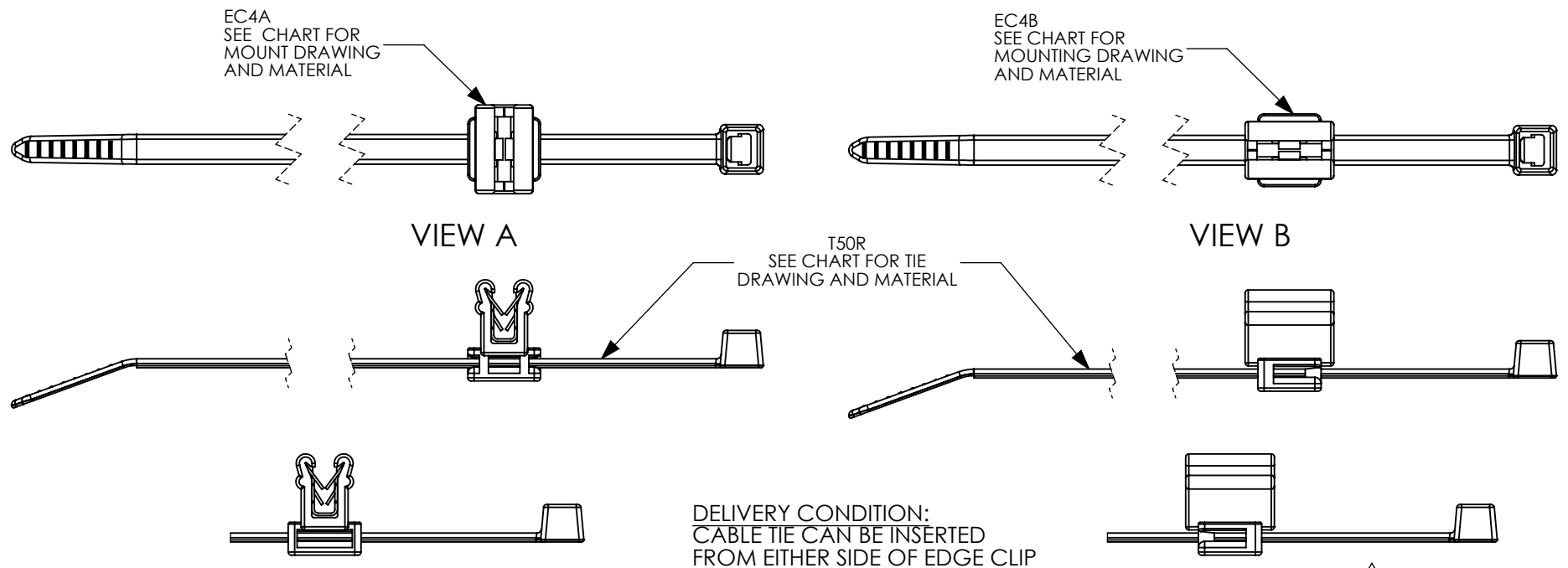


Revision level		Revision Record	Changed	Date	Approved	Date
Part	Drawing					
-	07	See ECN 012757	AAC	07/28/14	KAC	07/28/14



07

TYPE	VIEW	BUNDLE RANGE	CABLE TIES		MOUNT	
			DRAWING	MATERIAL	DRAWING	MATERIAL
T50REC4A	A	5 to 50	CT2050007CST	PA66UV PA66HS	10-0831-002-CSU	PA66HIRHSUV
T50REC4B	B	5 to 50	CT2050007CST	PA66HIRHSUV PA46	10-0831-002-CSU	PA66HIRHSUV
T50REC4B	B	12.7 to 44.5	CT2050007CSTPPP	PP	10-0831-002-CSU	PA66HIRHSUV
T50REC4A	A	12.7 to 44.5	CT2050007CSTPPP	PP	10-0831-002-CSU	PA66HIRHSUV

SEE CHART

Material

Dimension tolerances unless otherwise specified

.xxxx = ±.013
.xxx = ±.13
.xx = ±.3
.x = ±.8
∠ = ±0.5°

Dimension Units millimeters

PERFORMANCE SPECIFICATION

SW 2011

ALL PROPRIETARY RIGHTS IN THE SUBJECT MATTER SHOWN ON THIS DRAWING ARE EXCLUSIVE PROPERTY OF HELLERMANNNTYTON

Drawn AAC 07/07/2008
Approved KAC 07/28/14

HellermannTyton®
Cable Management Products

7930 N. Faulkner Rd.
Milwaukee, WI 53224
Ph: (414) 355-1130
Fx: (414) 362-8342

Scale 1:1
Computer File Number CT2050058CST_07

Title
**T50REC4
T50R STANDARD CABLE TIE
WITH EC4 MOUNT**

Drawing-No
CT2050058CST

Format
AH

Sheet 1 of 1