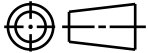
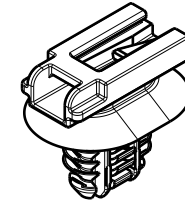
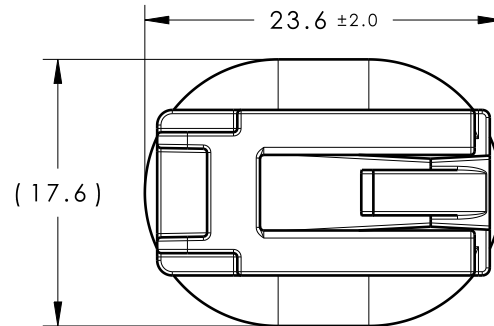


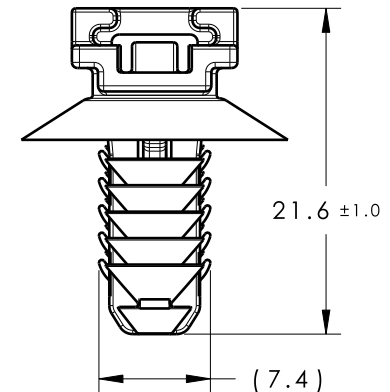
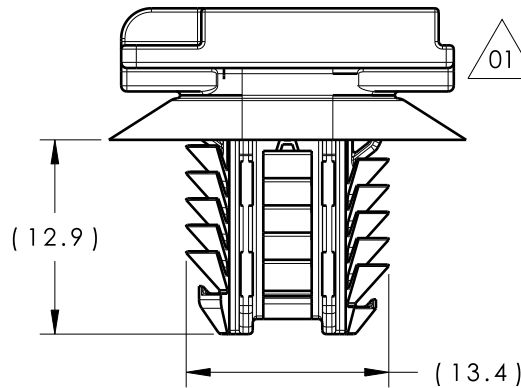
CATIA V5



| Revision Level | | Revision Record | Changed | Date | Approved | Date |
|----------------|------|-----------------|---------|----------|----------|----------|
| Drawing | Part | | | | | |
| 02 | A | SEE ECN# 012472 | CJR | 10/09/13 | SA | 10/09/13 |



ISOMETRIC VIEW
SCALE 1:1



REFERENCE:

PERFORMANCE REQUIREMENTS AT DRY AS MOLDED:

1. FIR TREE PUSH IN FORCE: 45 NEWTONS (10 LBS) MAX IN EACH APPLICABLE OVAL HOLE SIZE AND A PLATE THICKNESS OF 1.8mm.
2. FIR TREE PULL OUT FORCE: 110 NEWTONS (25 LBS) MIN IN EACH APPLICABLE OVAL HOLE SIZE AND A PLATE THICKNESS OF 1.8mm.
3. SHEET METAL THICKNESS RANGE: 0.60mm - 6.75mm
4. APPLICABLE OVAL HOLE SIZES:
 - A. 6.2 X 12.2mm
 - B. 6.5 X 12.5mm
 - C. 6.5 X 13.0mm
 - D. 7.0 X 12.0mm

| | | | | | | | | | | |
|--------------------------------|-------------------------------------|---|--|-------|-----------------|---|----------------------------|----------------|---------|--|
| Material PA66HIRHS BLACK | Units | millimeters | The copyright of this drawing is reserved by HellermannTyton. It is issued on condition that it is not reproduced, copied or disclosed to a third party, either wholly or in part, without the consent of HellermannTyton. | Drawn | SJA | 1/22/13 | Article/Type-No CCOVAL4 | Scale | 2:1 | |
| | Tolerance defined on each dimension | Approved | | KVH | 1/23/13 | Title CONNECTOR CLIP WITH 4X OVAL HOLE FIR TREE | | Project Number | 12-0654 | |
| | | <p>North America Email: corp@htamericas.com Web: www.hellermann.tyton.com</p> | | | Drawing-No | | PRODUCTION : Phase | Format | AH | |
| | | | | | 12-0654-001-CSU | | 02 | Sheet | 1/1 | |