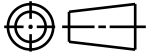
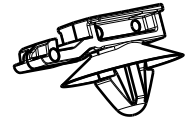
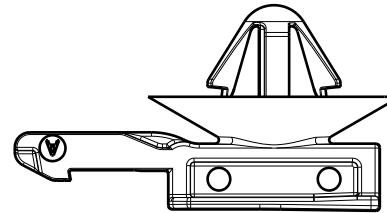


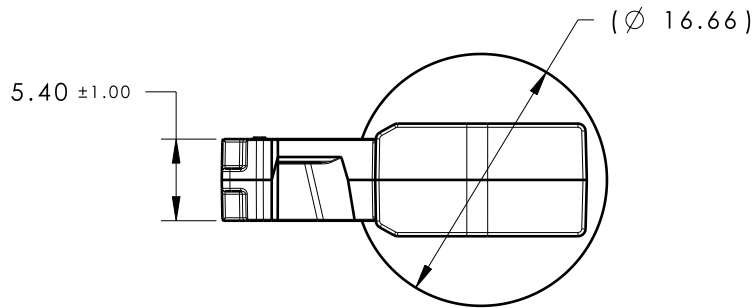
CATIA V5



Revision Level		Revision Record	Changed	Date	Approved	Date
Drawing	Part					
02.01	A	SEE ECN# 012471	SJA	10/8/13	KVH	10/8/13



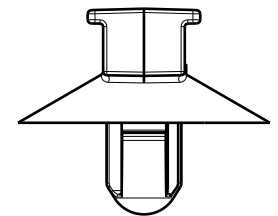
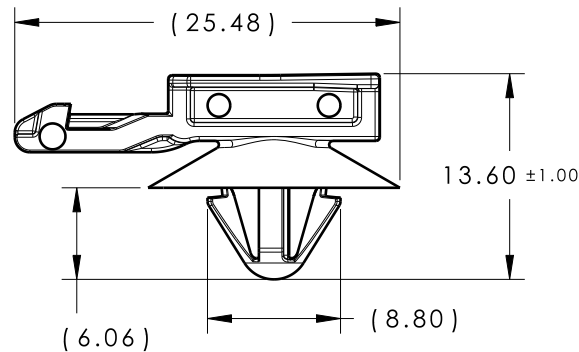
ISOMETRIC VIEW
SCALE 1:1



REFERENCE:

PERFORMANCE REQUIREMENTS AT DRY AS MOLDED:

1. PUSH IN FORCE: 45 NEWTONS (10 LBS) MAX IN THE APPLICABLE NOMINAL HOLE SIZE AND A PLATE THICKNESS OF 0.8mm.
2. PULL OUT FORCE: 90 NEWTONS (20 LBS) MIN IN THE APPLICABLE NOMINAL HOLE SIZE AND A PLATE THICKNESS OF 0.8mm. 02
3. SHEET METAL THICKNESS RANGE: 0.65mm - 1.40mm
4. APPLICABLE HOLE SIZE:
A. 5.35mm +/- 0.35
5. DESIGNED TO MEET INSERTION/EXTRACTION FORCES OF SAE/USCAR-2 REVISION 5 (PAGE 45)
6. FITS INTO USCAR CLIP SLOT SPECIFICATION EWCAP-005-7 (NOT A TEST SPEC.)



Material
PA66HIRHS
COLOR: NATURAL

02

Units millimeters

Tolerance defined on each dimension

The copyright of this drawing is reserved by HellermannTyton. It is issued on condition that it is not reproduced, copied or disclosed to a third party, either wholly or in part, without the consent of HellermannTyton.

Drawn KVH 1/29/13
Approved SJA 6/17/13

HellermannTyton

North America
Email: corp@htamericas.com
Web: www.hellermann.tyton.com

Article/Type-No CC14
Title EWCAP-005-7 CONNECTOR CLIP WITH 5.35mm ARROWHEAD
Drawing-No PRODUCTION : Phase
13-0217-011-CSU

Scale 2:1
Project Number 13-0217
Format AH
Sheet 1/1