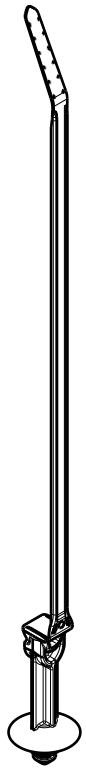
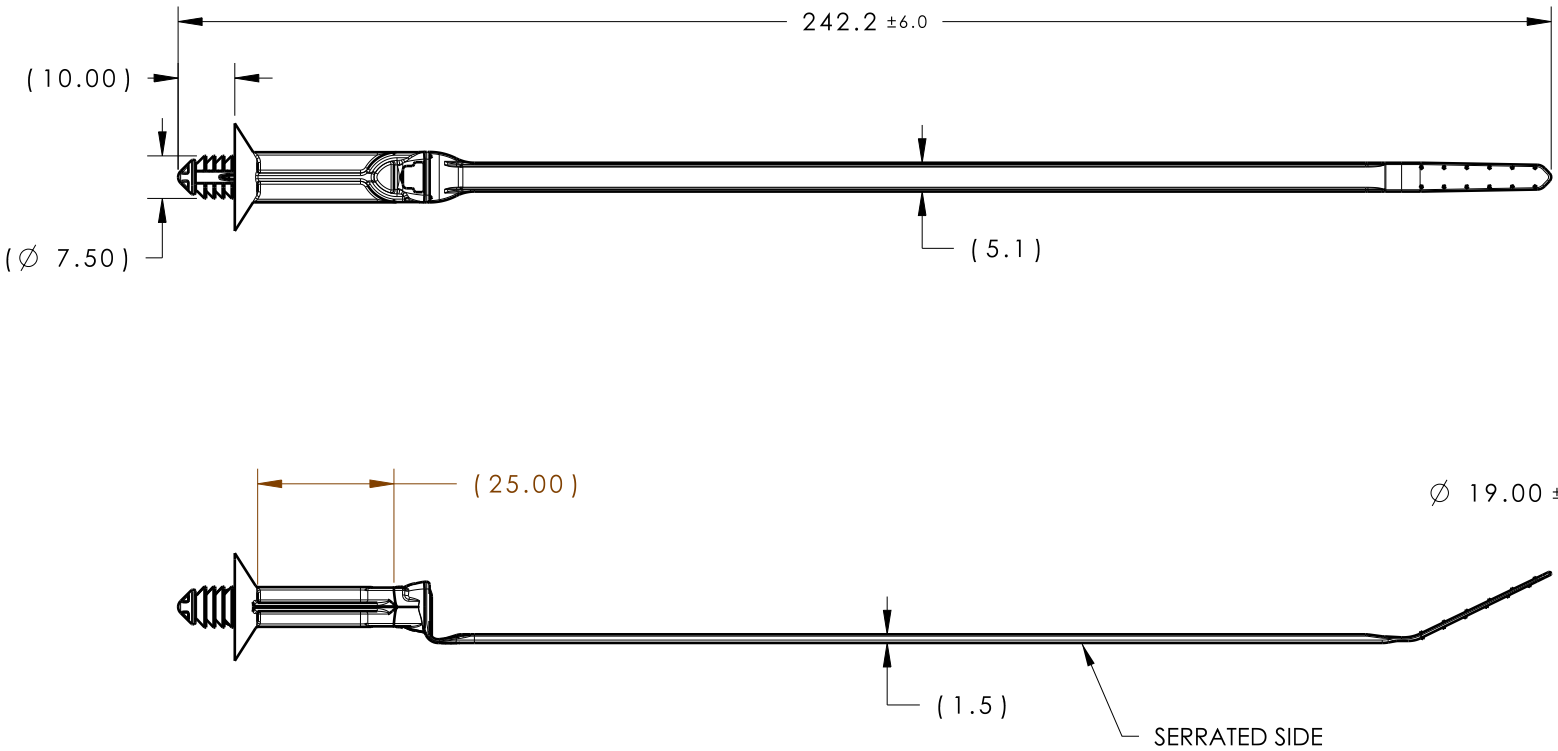


Revision Level			Revision Record	Changed	Date	Approved	Date
Drawing	State	Part					
01.1	Design Release	A	SEE ECN# 012744	CJR	07/22/14	KVH	07/22/14



ISOMETRIC VIEW
SCALE 1:2

- REFERENCE:
PERFORMANCE REQUIREMENTS AT DRY AS MOLDED:
1. FIR TREE PUSH IN FORCE: 45 NEWTONS (10 LBS) MAX IN THE APPLICABLE NOMINAL HOLE SIZE AND A PLATE THICKNESS OF 1.8mm.
 2. FIR TREE PULL OUT FORCE: 110 NEWTONS (25 LBS) MIN IN THE APPLICABLE NOMINAL HOLE SIZE AND A PLATE THICKNESS OF 1.8mm.
 3. SHEET METAL THICKNESS RANGE: 0.60mm - 3.75mm
 4. APPLICABLE HOLE SIZE:
A. 6.5mm +/- 0.4
 5. CABLE TIE TENSILE STRENGTH: 220 NEWTONS (50 LBS)
 6. BUNDLE RANGE: 2.0mm TO 50mm

Material PA66HIRHS COLOR: BLACK	Units millimeters Tolerance defined on each dimension	The copyright of this drawing is reserved by HellermannTyton. It is issued on condition that it is not reproduced, copied or disclosed to a third party, either wholly or in part, without the consent of HellermannTyton.	Drawn	CJR	9/24/13	Article/Type-No	T50ROSFT6S25SO ^{01.1}	Scale	3:4
			Approved	KVH	12/2/13	Title	25mm STAND OFF CABLE TIE WITH MODIFIED FT6	Project Number	^{01.1} 13-1059
			HellermannTyton North America Email: corp@htamericas.com Web: www.hellermann.tyton.com			Drawing-No	13-1059-001-CSU	PRODUCTION : Phase	Format
								Sheet	1/1