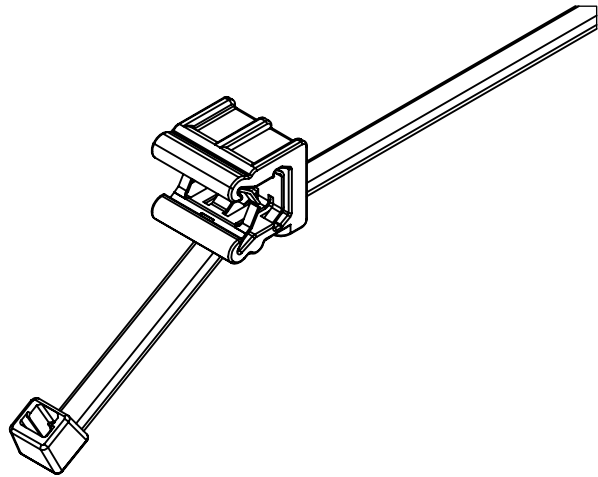
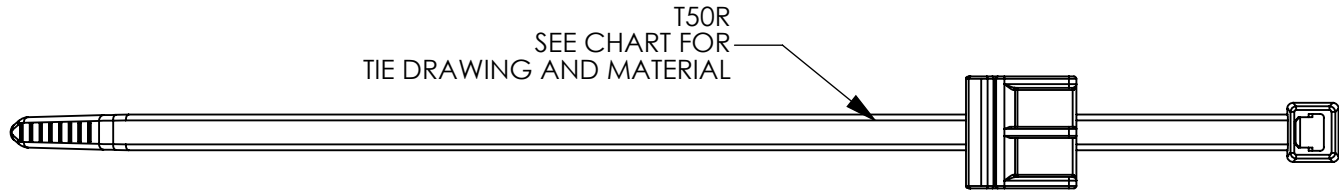


Revision level		Revision Record	Changed	Date	Approved	Date
Part	Drawing					
-	02	See ECN 012270	AAC	01/29/13	KAC	01/29/13



EC23
SEE CHART FOR
MOUNT DRAWING AND MATERIAL

02

02

DELIVERY CONDITION:
CABLE TIE HEAD COULD BE AT THE
LEFT OR RIGHT SIDE OF EDGE CLIP

TYPE	BUNDLE RANGE	CABLE TIES		MOUNT	
		DRAWING	MATERIAL	DRAWING	MATERIAL
T50REC23	5 to 50	CT2050007CST	PA66HS PA66UV PA66HIRHSUV PA46	XCL-HTG157CST	PA66HIRHSUV
	12.7 to 44.5	CT2050007CSTPPP	PP		

SEE CHART

Material


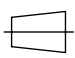
Dimension tolerances unless otherwise specified

.xxxx = ±.0005
.xxx = ±.005
.xx = ±.01
.x = ±.03
∠ = ±0.5°

Dimension Units inches

PERFORMANCE SPECIFICATION

SW2011

ALL PROPRIETARY RIGHTS IN THE SUBJECT MATTER SHOWN ON THIS DRAWING ARE EXCLUSIVE PROPERTY OF HELLERMANNNTYTON

Drawn AAC 07/09/2009
Approved KAC 01/29/13

HellermannTyton®
Cable Management Products

7930 N. Faulkner Rd.
Milwaukee, WI 53224
Ph: (414) 355-1130
Fx: (414) 362-8342

Scale 1:1

Computer File Number CT2050067CST_02

Title **T50REC23
T50R STANDARD CABLE TIE
WITH EC23 MOUNT**

Drawing-No **CT2050067CST**

Format **AH**

Sheet 1 of 1