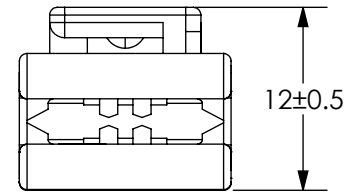
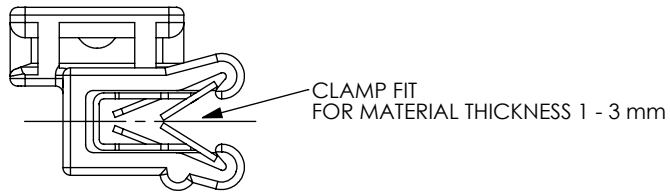
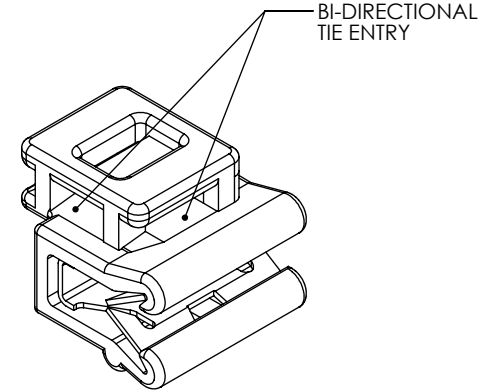
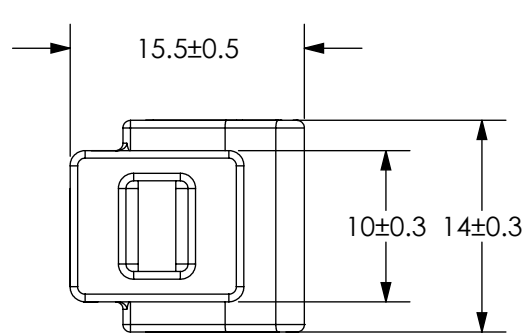


Revision level		Revision Record	Changed	Date	Approved	Date
Part	Drawing					
-	01	See ECN 011029	AAC	05/19/2008	KAC	05/19/2008



PA66HIRHS

Material

Dimension tolerances unless otherwise specified

- .xxxx = ±.013
- .xxx = ±.13
- .xx = ±.3
- .x = NOTED
- ∠ = ±0.5°

Dimension Units millimeters

PERFORMANCE SPECIFICATION

SW 2007



ALL PROPRIETARY RIGHTS IN THE SUBJECT MATTER SHOWN ON THIS DRAWING ARE EXCLUSIVE PROPERTY OF HELLERMANN TYTON

Drawn	AAC	05/19/2008
Approved	KAC	05/19/2008

**HellermannTyton**<sup>®</sup>  
Cable Management Products

7930 N. Faulkner Rd.  
Milwaukee, WI 53224  
Ph: (414) 355-1130  
Fx: (414) 362-8342

Scale 2:1  
Title

Computer File Number  
XCL-HMAN109CST\_01

**EC5  
EDGE CLIP**

Drawing-No

**XCL-HMAN109CST**

Format  
**AH**

Sheet 1 of 1