



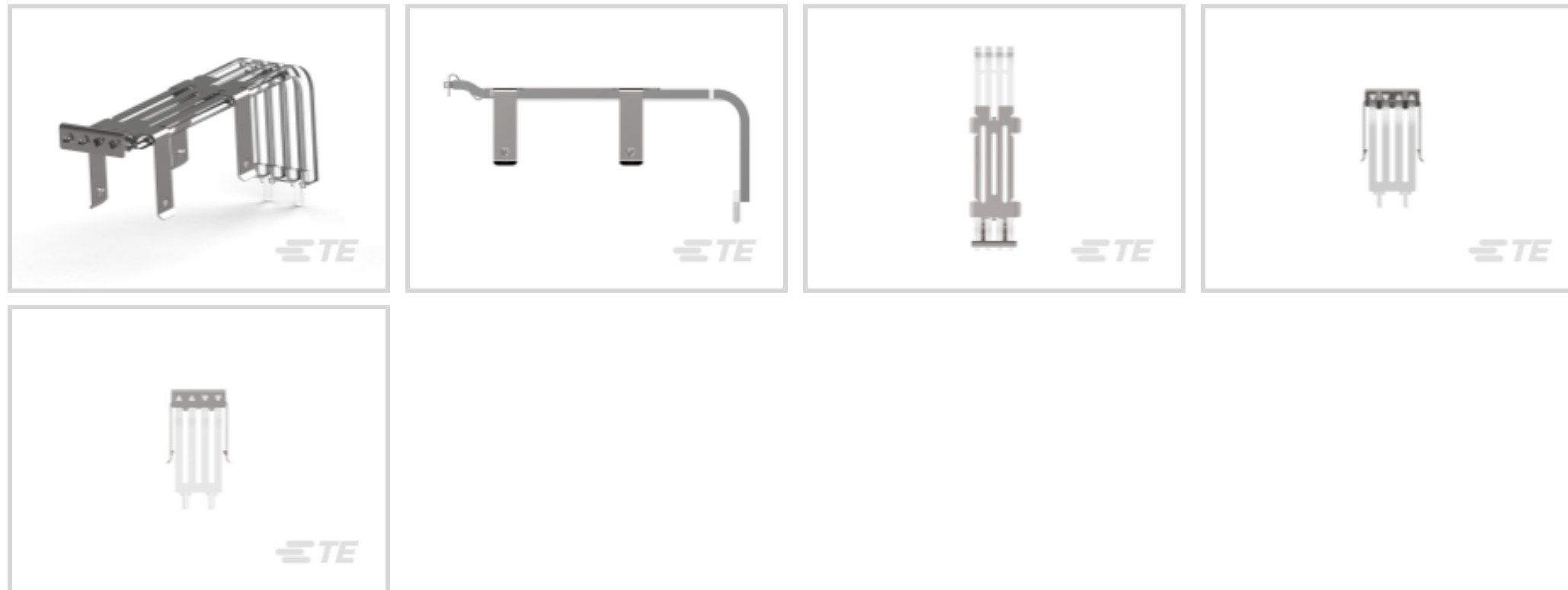
SFP28

TE Internal #: 1658862-1

SFP, SFP+ & zSFP+, Accessory, Data Rate (Max) 4 Gb/s, With Lightpipe, 2 x 1, All Four, Standard, Standard, 1 Port

[View on TE.com >](#)

Connectors > Pluggable IO Connectors & Cages > SFP, SFP+ & zSFP+ > SFP+ Stacked Cage Assemblies



Pluggable I/O Product Type: **Accessory**

Data Rate (Max): **4 Gb/s**

Lightpipe Options: **With Lightpipe**

Port Matrix Configuration: **2 x 1**

Lightpipe Configuration: **All Four**

[All SFP+ Stacked Cage Assemblies \(125\)](#)

## Features

### Product Type Features

Form Factor	SFP
Pluggable I/O Accessory Type	Lightpipe Kit
Cage Type	Stacked
Pluggable I/O Product Type	Accessory
Lightpipe Options	With Lightpipe
Sealable	No

### Configuration Features

Port Matrix Configuration	2 x 1
Lightpipe Configuration	All Four
Lightpipe Style	Standard
Lightpipe Profile	Standard
Number of Ports	1

### Electrical Characteristics



Data Rate (Max)	4 Gb/s
-----------------	--------

### Operation/Application

For Use With Pluggable I/O Products	Stacked SFP Cage Assembly
-------------------------------------	---------------------------

### Packaging Features

Packaging Method	Tray
------------------	------

## Product Compliance

[For compliance documentation, visit the product page on TE.com>](#)

EU RoHS Directive 2011/65/EU	Compliant
EU ELV Directive 2000/53/EC	Compliant
China RoHS 2 Directive MIIT Order No 32, 2016	No Restricted Materials Above Threshold
EU REACH Regulation (EC) No. 1907/2006	Current ECHA Candidate List: JUNE 2022 (224) Candidate List Declared Against: JUNE 2022 (224) Does not contain REACH SVHC
Halogen Content	Not Low Halogen - contains Br or Cl > 900 ppm.
Solder Process Capability	Not applicable for solder process capability

#### Product Compliance Disclaimer

This information is provided based on reasonable inquiry of our suppliers and represents our current actual knowledge based on the information they provided. This information is subject to change. The part numbers that TE has identified as EU RoHS compliant have a maximum concentration of 0.1% by weight in homogenous materials for lead, hexavalent chromium, mercury, PBB, PBDE, DBP, BBP, DEHP, DIBP, and 0.01% for cadmium, or qualify for an exemption to these limits as defined in the Annexes of Directive 2011/65/EU (RoHS2). Finished electrical and electronic equipment products will be CE marked as required by Directive 2011/65/EU. Components may not be CE marked. Additionally, the part numbers that TE has identified as EU ELV compliant have a maximum concentration of 0.1% by weight in homogenous materials for lead, hexavalent chromium, and mercury, and 0.01% for cadmium, or qualify for an exemption to these limits as defined in the Annexes of Directive 2000/53/EC (ELV). Regarding the REACH Regulation, the information TE provides on SVHC in articles for this part number is based on the latest European Chemicals Agency (ECHA) 'Guidance on requirements for substances in articles' posted at this URL: <https://echa.europa.eu/guidance-documents/guidance-on-reach>

## Compatible Parts



## Customers Also Bought



## Documents

### Product Drawings

#### SFP 2X1 LIGHT PIPE ASSY

English

### CAD Files

#### 3D PDF

3D

#### Customer View Model

[ENG\\_CVM\\_CVM\\_1658862-1\\_B.2d\\_dxf.zip](#)

English

#### Customer View Model

[ENG\\_CVM\\_CVM\\_1658862-1\\_B.3d\\_igs.zip](#)

English

#### Customer View Model

[ENG\\_CVM\\_CVM\\_1658862-1\\_B.3d\\_stp.zip](#)

English

By downloading the CAD file I accept and agree to the [Terms and Conditions](#) of use.

### Product Specifications

#### Application Specification

English

#### Application Specification

English

### Instruction Sheets

#### Instruction Sheet (U.S.)

1658862-1

SFP, SFP+ & zSFP+, Accessory, Data Rate (Max) 4 Gb/s, With Lightpipe, 2 x 1, All Four, Standard, Standard, 1 Port



English

[Instruction Sheet \(U.S.\)](#)

English