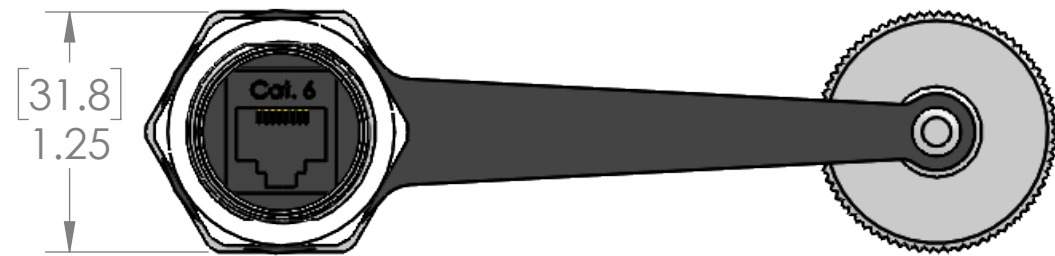
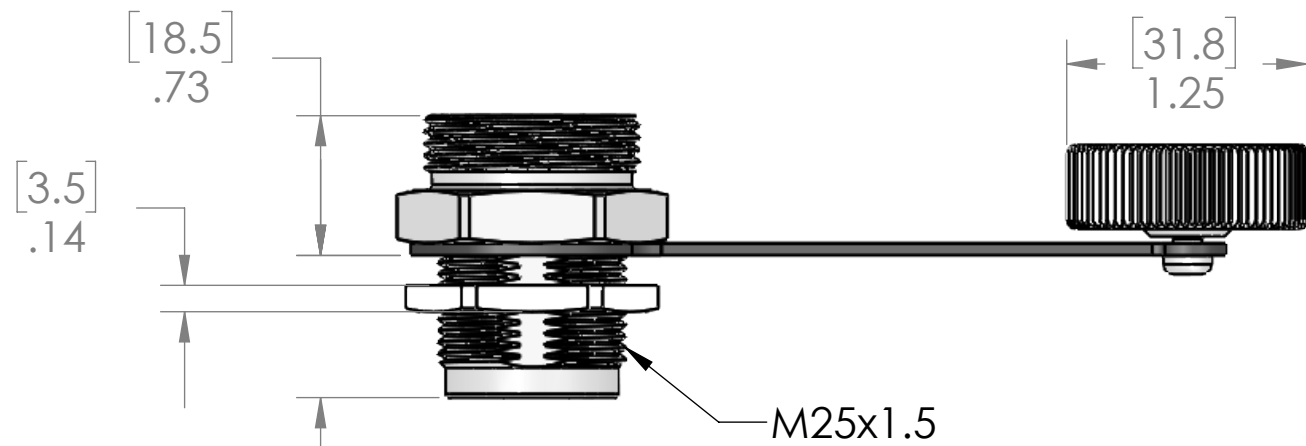
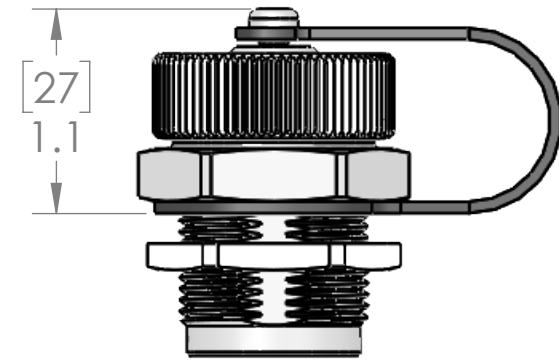
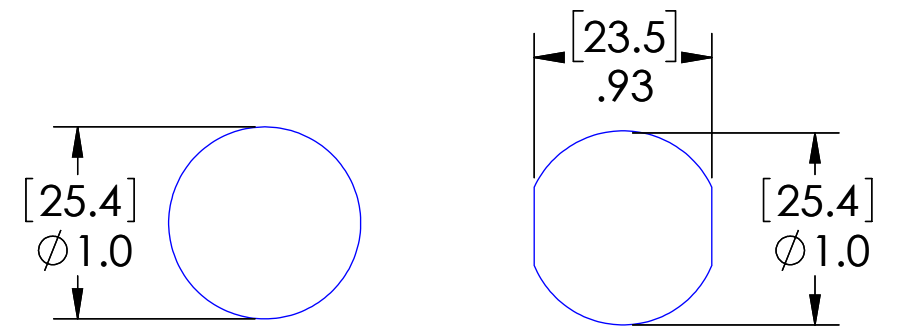


RJ45 JACK



RJ45 JACK



SUGGESTED CUT-OUTS

MATERIALS:	
BODY & CAP:	NICKEL PLATED BRASS
TETHER/GASKET:	TPE
CONNECTOR:	CAT 6 RJ45 JACK PASSTHROUGH
LOCKNUT:	NICKEL PLATED BRASS
CERTIFICATIONS:	
SEAL:	UL TYPE 4, 12 IP 6X
US:	UL LISTED
CANADA:	c-UL LISTED

PROPRIETARY AND CONFIDENTIAL
THE INFORMATION CONTAINED IN THIS DRAWING IS THE SOLE PROPERTY OF MENCOM CORPORATION. ANY REPRODUCTION IN PART OR AS A WHOLE WITHOUT THE WRITTEN PERMISSION OF MENCOM CORPORATION IS PROHIBITED.

UNLESS OTHERWISE SPECIFIED: DIMENSIONS ARE IN INCHES AND [MM]	DRAWN BY	ADM
	DRAWN DATE	10/13/2021
	CHECKED BY	JJH
	CHECK DATE	10/13/2021
MATERIAL	COMMENTS:	
FINISH		
DO NOT SCALE DRAWING		

MENCOM CORPORATION		
TITLE: RJ45 PASSTHROUGH		
SIZE B	DWG. NO. RJ45-M25-LP	REV C
SCALE: 1:1	WEIGHT:	SHEET 1 OF 1