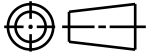
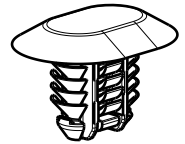
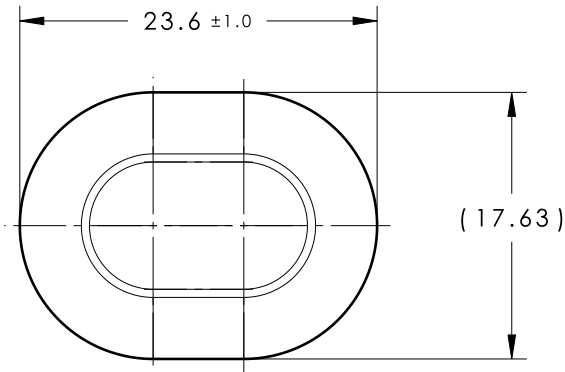


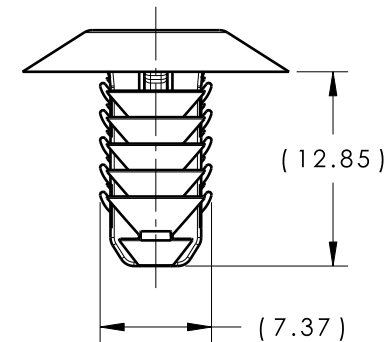
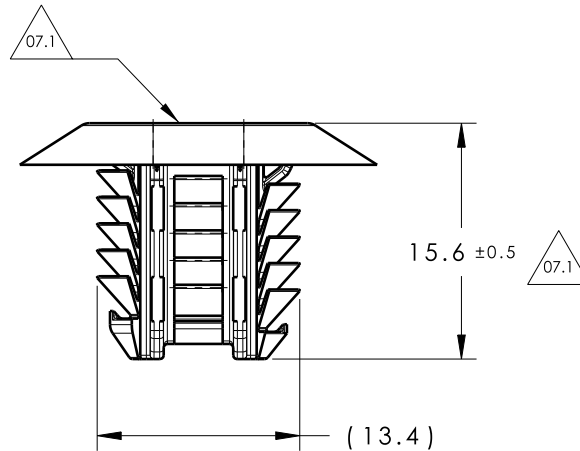
CATIA V5



Revision Level			Revision Record	Changed	Date	Approved	Date
Drawing	State	Part					
07.1	Design Release	B	SEE ECN# 012593	CJR	02/27/14	SJA	02/27/14



ISOMETRIC VIEW  
SCALE 1:1



REFERENCE:

PERFORMANCE REQUIREMENTS AT DRY AS MOLDED:

1. FIR TREE PUSH IN FORCE: REF. 10 LBS MAX IN EACH APPLICABLE OVAL HOLE SIZE AND A PLATE THICKNESS OF 1.8mm
2. FIR TREE PULL OUT FORCE: REF. 25 LBS MIN IN EACH APPLICABLE OVAL HOLE SIZE AND A PLATE THICKNESS OF 1.8mm
3. SHEET METAL THICKNESS RANGE: 0.60mm - 6.0mm
4. APPLICABLE OVAL HOLE SIZES:
  - A. 6.2 X 12.2mm
  - B. 6.5 X 12.5mm
  - C. 6.5 X 13.0mm
  - D. 7.0 X 12.0mm

Material PA66HIRHS COLOR: BLACK	Units	millimeters	The copyright of this drawing is reserved by HellermannTyton. It is issued on condition that it is not reproduced, copied or disclosed to a third party, either wholly or in part, without the consent of HellermannTyton.	Drawn	SJA	10/07/11	Article/Type-No	PLUGFTOVAL	Scale	2:1
	Tolerance defined on each dimension	Approved		PT	10/08/11	Title	OVAL FIR TREE PLUG		Project Number	11-0746
		<b>HellermannTyton</b> North America Email: corp@htamericas.com Web: www.hellermann.tyton.com			Drawing-No	11-0746-001-CSU	PRODUCTION Phase	Format	AH	
							Sheet	1/1		