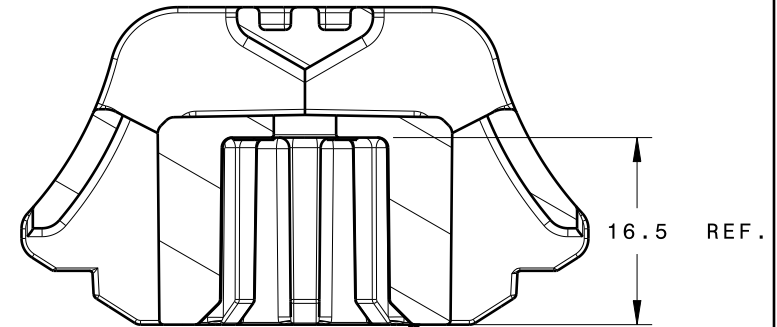
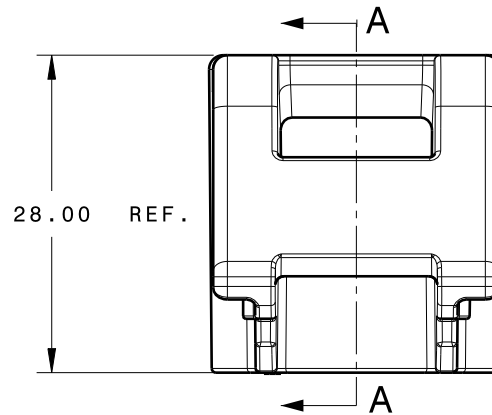
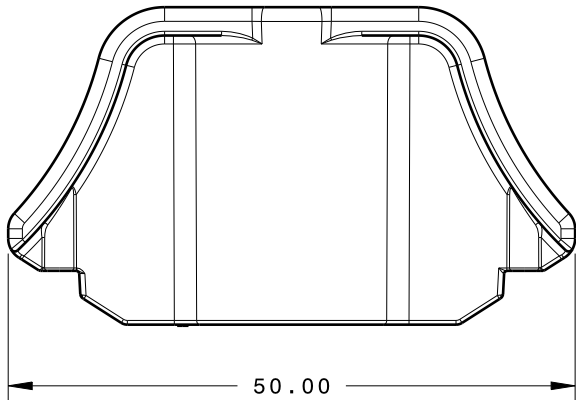
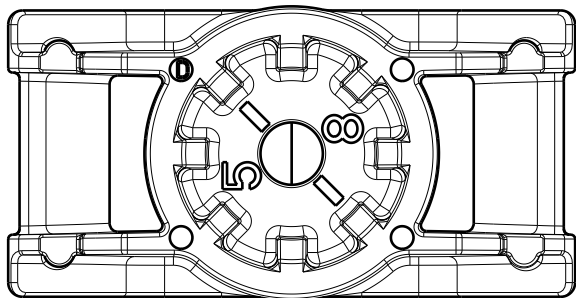


Isometric view
Scale: 1:1



Section view A-A



INVENTORS

HellermannTyton®

ALL PROPRIETARY RIGHTS IN THE SUBJECT MATTER SHOWN ON THIS DRAWING ARE EXCLUSIVE PROPERTY OF HELLERMANNTYTON

name	date	city, state
SCOTT ADAMS	10/12/09	MENOMONEE FALLS, WI

REVISIONS	DR level	05
	AW by	SJA
	IN date	3/31/10
	NG ECN #	011484
	part level	D

DIMENSIONS	TOLEPRANCS	.XXXX = ± 0.250
		.XXX = ± 0.50
		.XX = ± 1.00
		.X = ± 2.00
		∠ = ± 1.00
	unless otherwise specified	
units	millimeters	

PART	number	HM6	phase	PRODUCTION
	name	5/8" SPIN-ON H-MOUNT		
	material	NYLON 6/6, IMPACT MODIFIED, HEAT STABILIZED, UV STABILIZED COLOR: BLACK		

DRAWING	FORMAT	AH	CATIA V5	SCALE	3:2	
	VERSION	J	CAD	previous drawing number		
	A- SIZE (landscape)_N01					
	drawn	S. ADAMS	checked	J. PASSILLA	approval	
		10/12/09		2/4/10		
	type	CUSTOMER		sheet 1 of 1		
number	MT09-0354-012CST					