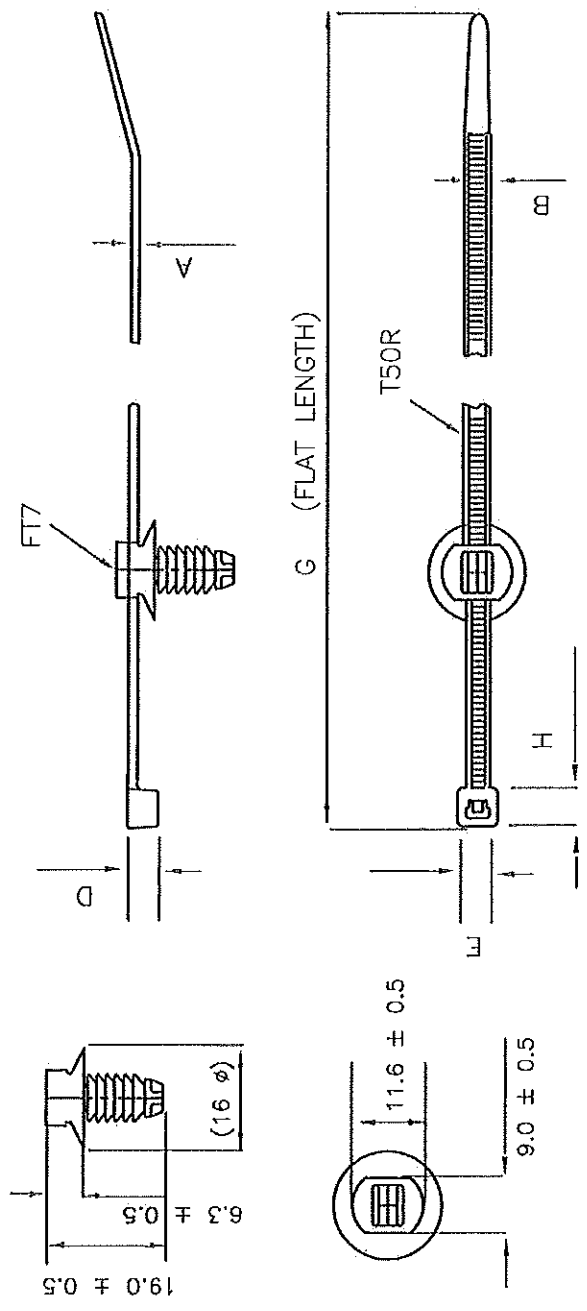


ACAD	Revision level	Part	Drawing	Revision Record		Changed	Date	Approved	Date
				Remove bundle diameter	Mandy Ong				
			01	Product dimensions update (Group Standard)	Mandy Ong	06/12/10	Edward Tan	06/12/10	



A	B	D	E	G	H
1.2 ± 0.2	4.6 ± 0.2	5.8 ± 0.3	7.8 ± 0.3	305.0 ± 5.0	7.0 ± 0.6

Material P.A. 66
 Dimension without tolerances details to:
 DIN 16901
 Tolerances
 PERFORMANCE SPECIFICATION

The copyright of this drawing is reserved by HELLERMANN TYTON. It is issued on condition that it is not reproduced, copied or disclosed to a third party, either wholly or in part, without the consent of HELLERMANN TYTON.

Drawn MANDY ONG 30/04/07
 Approved EDWARD TAN 30/04/07
HellermannTyton
 545, Yishun Industrial Park A
 Yishun Avenue 7
 Singapore 768741
 Tel: (+65) 6852 8585
 Fax: (+65) 6756 6798

Scale: not to scale Reference:
 Title T50IFT7
 Drawing-No SG07021-02
 Format A4
 Sheet 1 of 1

Uncontrolled Document