

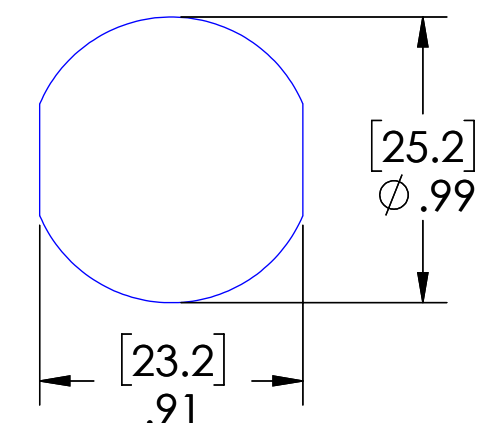
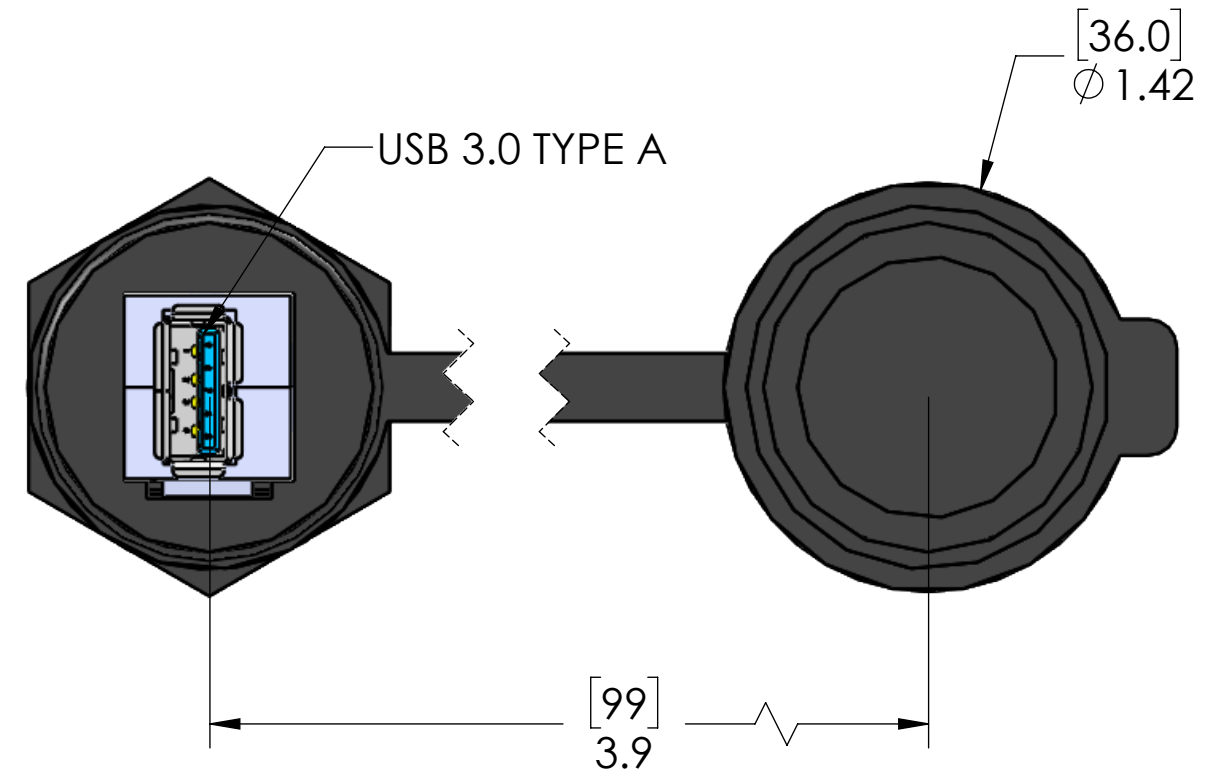
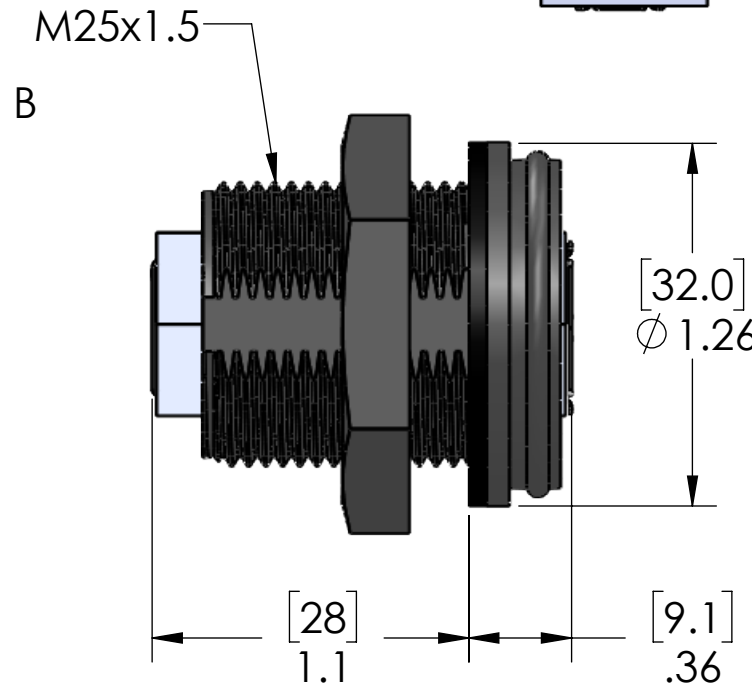
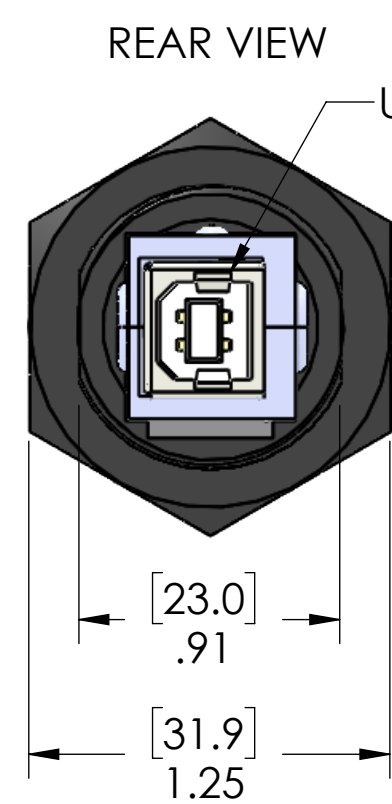
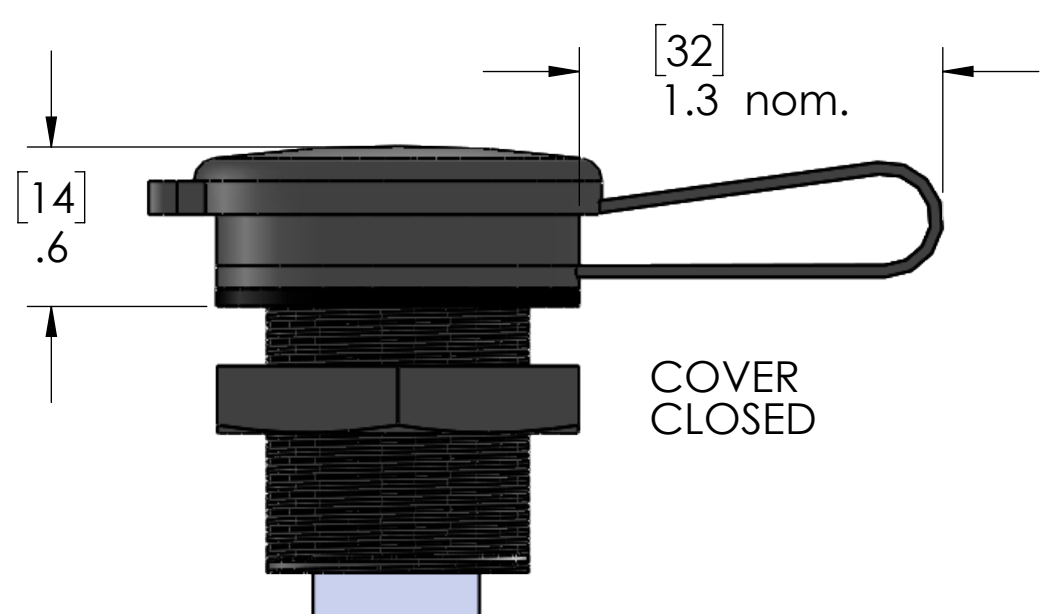
8 7 6 5 4 3 2 1

D

C

B

A



MATERIALS:	
BODY & CAP:	BLACK POLYPROPYLENE
GASKET:	TPE
CONNECTOR:	USB-A 3.0 FEM - USB-B 2.0 FEM
LOCKNUT:	POLYAMIDE
CERTIFICATIONS:	
SEAL:	UL TYPE 12
	IP65 & 69
US:	UL LISTED
CANADA:	c-UL LISTED

PROPRIETARY AND CONFIDENTIAL
THE INFORMATION CONTAINED IN THIS DRAWING IS THE SOLE PROPERTY OF MENCOM CORPORATION. ANY REPRODUCTION IN PART OR AS A WHOLE WITHOUT THE WRITTEN PERMISSION OF MENCOM CORPORATION IS PROHIBITED.

UNLESS OTHERWISE SPECIFIED: DIMENSIONS ARE IN INCHES AND [MM]	DRAWN BY	ADM
	DRAWN DATE	09/22/2016
	CHECKED BY	
	CHECK DATE	
MATERIAL	COMMENTS:	
FINISH		
DO NOT SCALE DRAWING		

MENCOM CORPORATION		
TITLE: USB A TO USB B PASSTHROUGH		
SIZE B	DWG. NO. D-USB-AFBF-M25-PA	REV B
SCALE: 3:2	WEIGHT:	SHEET 1 OF 1

8 7 6 5 4 3 2 1