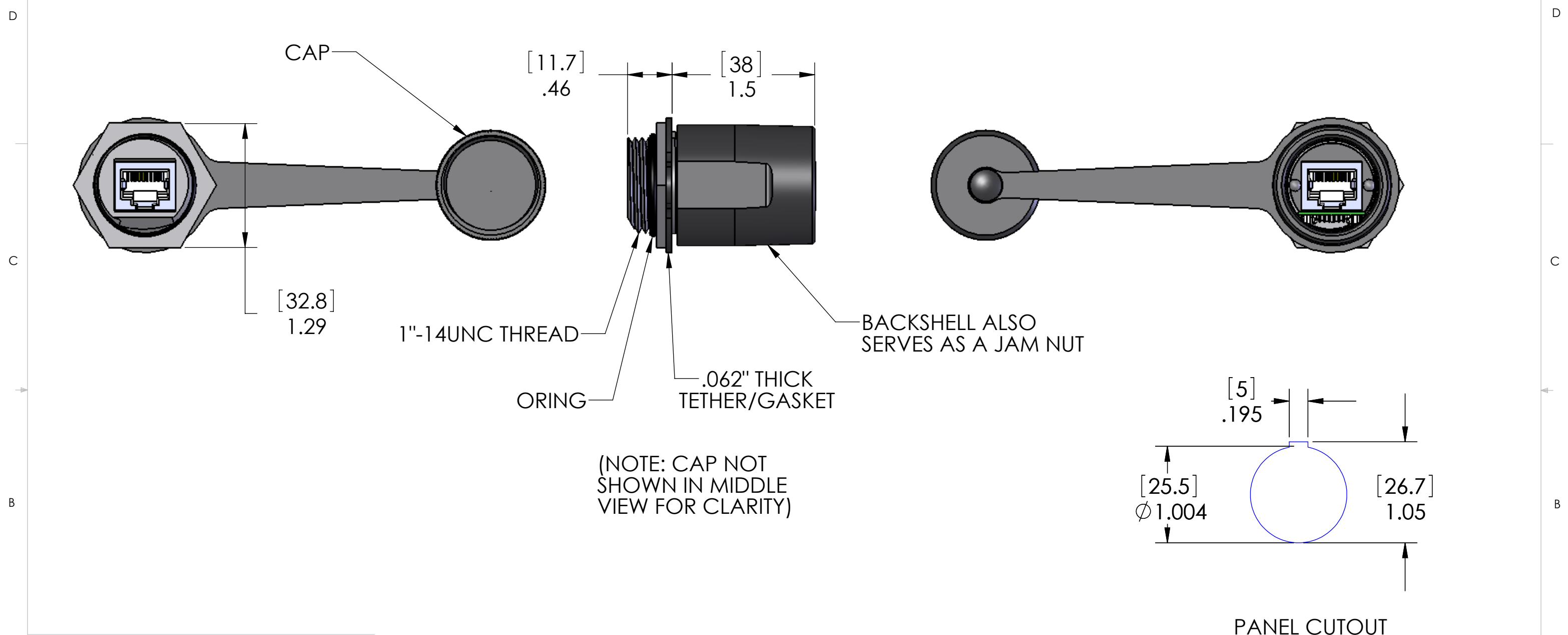


REVISIONS			
REV.	DESCRIPTION	DATE	APPROVED
A	REDRAWN IN SW	2/14/2007	



(NOTE: CAP NOT SHOWN IN MIDDLE VIEW FOR CLARITY)

MATERIALS / SPECIFICATIONS:	
BODY & CAP:	POLYAMIDE
BACKSHELL:	POLYAMIDE
ORING	BUNA-N
TETHER/GASKET:	BUNA-N
SEAL:	IP67
TI/EIA RATING	CAT 5e
TEMP RATING	-20°C - 80°C
AMPS:	1.5A
VOLTS:	125VDC
MIN PANEL THICKNESS:	.056"
MAX PANEL THICKNESS:	.187"

PROPRIETARY AND CONFIDENTIAL
 THE INFORMATION CONTAINED IN THIS DRAWING IS THE SOLE PROPERTY OF MENCOM CORPORATION. ANY REPRODUCTION IN PART OR AS A WHOLE WITHOUT THE WRITTEN PERMISSION OF MENCOM CORPORATION IS PROHIBITED.

UNLESS OTHERWISE SPECIFIED:	
DIMENSIONS ARE IN INCHES AND [MM]	
MATERIAL	
FINISH	
DO NOT SCALE DRAWING	

NAME		MENCOM CORPORATION	
DRAWN	BEM	TITLE:	
CHECKED		RJ45 CAT 5e BULKHEAD PASSTHROUGH WITH CAP	
ENG APPR.		SIZE	DWG. NO.
MFG APPR.		B	E45V3-8FFR-M25-CP
Q.A.		SCALE: 1:1	WEIGHT:
COMMENTS:		SHEET 1 OF 1	
			REV A