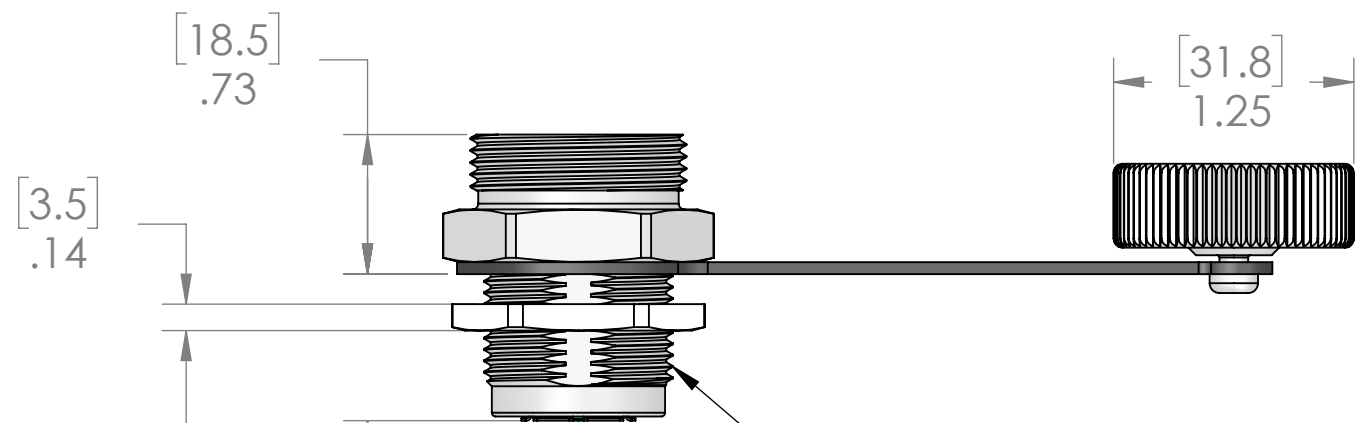
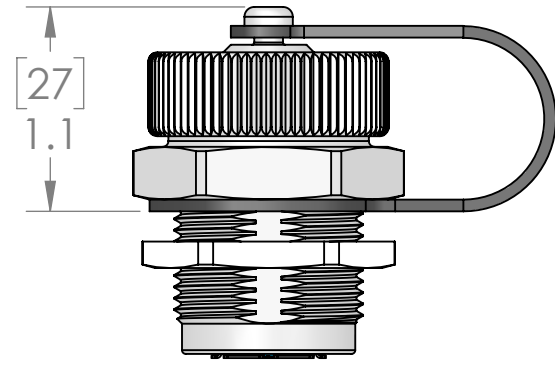
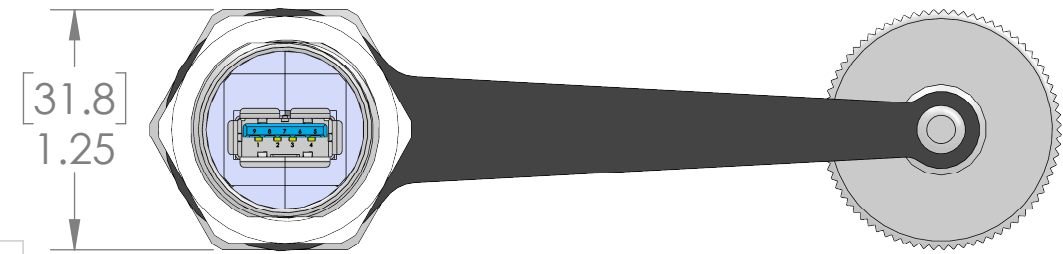


USB TYPE A FEMALE

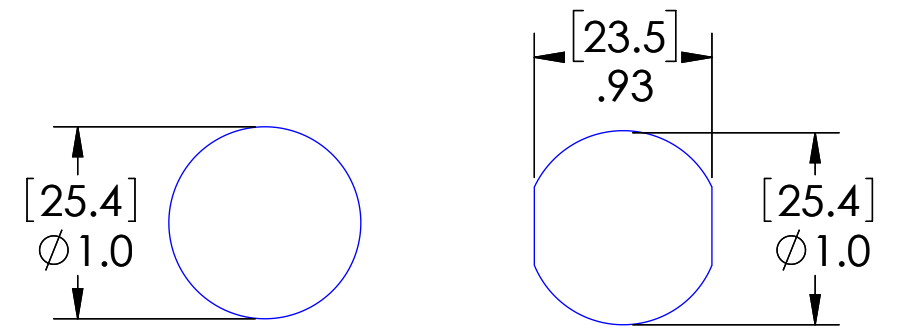


M25x1.5

19.4
.76



USB TYPE A FEMALE



SUGGESTED CUT-OUTS

MATERIALS:	
BODY & CAP:	NICKEL PLATED BRASS
TETHER/GASKET:	TPE
CONNECTOR:	USB-A 3.0 FEM - USB-A 3.0 FEM
LOCKNUT:	NICKEL PLATED BRASS
CERTIFICATIONS:	
SEAL:	UL TYPE 4, 6P, 12 IP67 & 69
US:	UL LISTED
CANADA:	c-UL LISTED

PROPRIETARY AND CONFIDENTIAL
THE INFORMATION CONTAINED IN THIS DRAWING IS THE SOLE PROPERTY OF MENCOM CORPORATION. ANY REPRODUCTION IN PART OR AS A WHOLE WITHOUT THE WRITTEN PERMISSION OF MENCOM CORPORATION IS PROHIBITED.

UNLESS OTHERWISE SPECIFIED:	DRAWN BY	ADM
DIMENSIONS ARE IN INCHES AND [MM]	DRAWN DATE	02/06/2018
	CHECKED BY	
	CHECK DATE	
MATERIAL	COMMENTS:	
FINISH		
DO NOT SCALE DRAWING		

MENCOM CORPORATION		
TITLE: USB A TO USB A PASSTHROUGH		
SIZE B	DWG. NO. D-USB-AFAF-M25-LP	REV B
SCALE: 1:1	WEIGHT:	SHEET 1 OF 1