

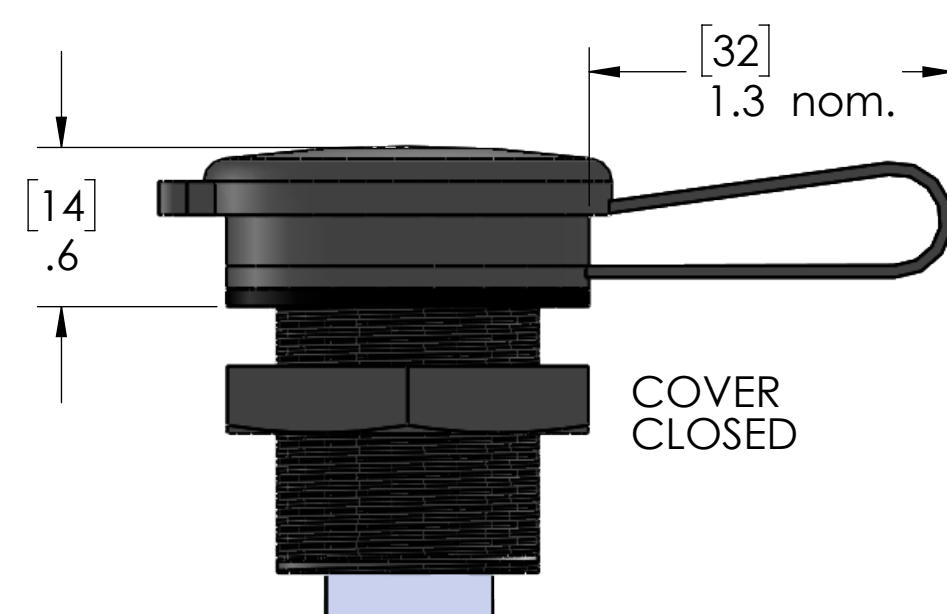
8 7 6 5 4 3 2 1

D D

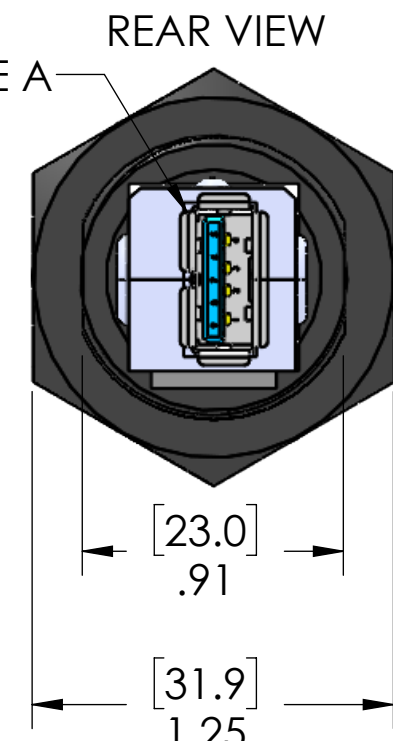
C C

B B

A A

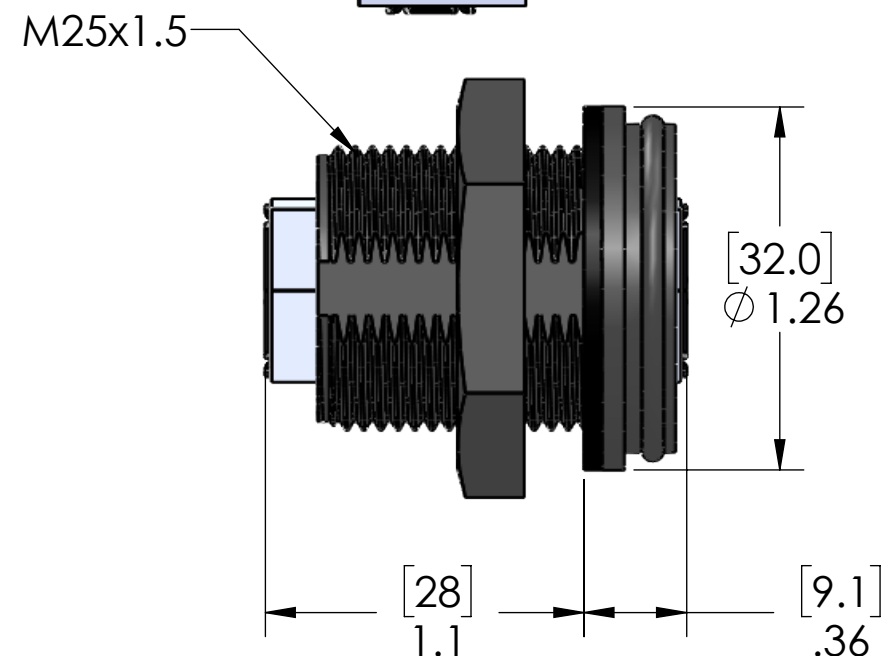


COVER
CLOSED



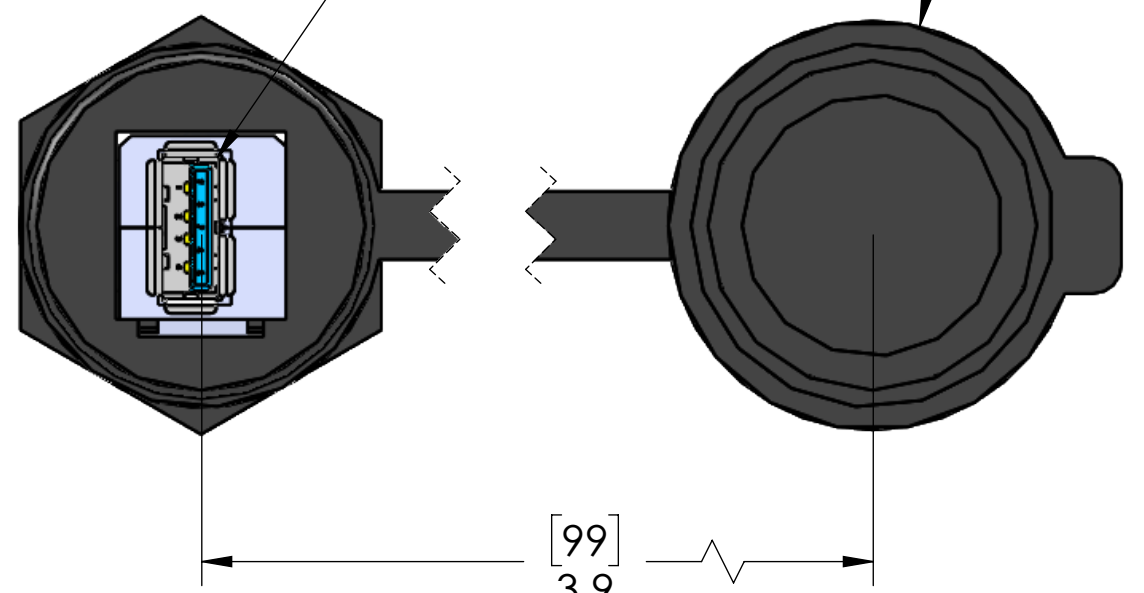
REAR VIEW

USB 3.0 TYPE A

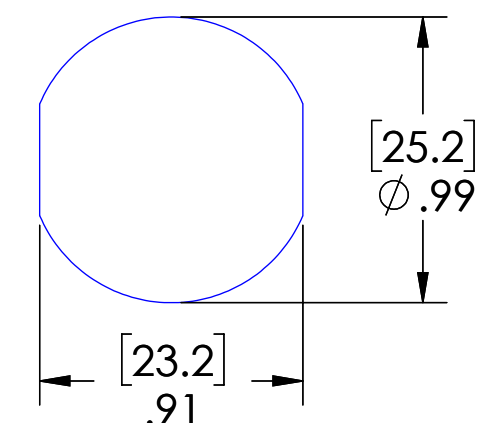


M25x1.5

USB 3.0 TYPE A



[36.0]
Ø 1.42



SUGGESTED CUTOUT

MATERIALS:	
BODY & CAP:	BLACK POLYPROPYLENE
GASKET:	TPE
CONNECTOR:	USB-A 3.0 FEM - USB-A 3.0 FEM
LOCKNUT:	POLYAMIDE
CERTIFICATIONS:	
SEAL:	UL TYPE 12 IP65 & 69
US:	UL LISTED
CANADA:	c-UL LISTED

PROPRIETARY AND CONFIDENTIAL
THE INFORMATION CONTAINED IN THIS DRAWING IS THE SOLE PROPERTY OF MENCOM CORPORATION. ANY REPRODUCTION IN PART OR AS A WHOLE WITHOUT THE WRITTEN PERMISSION OF MENCOM CORPORATION IS PROHIBITED.

UNLESS OTHERWISE SPECIFIED: DIMENSIONS ARE IN INCHES AND [MM]	DRAWN BY	ADM
	DRAWN DATE	09/22/2016
	CHECKED BY	
	CHECK DATE	
MATERIAL	COMMENTS:	
DO NOT SCALE DRAWING		

MENCOM CORPORATION		
TITLE: USB A TO USB A PASSTHROUGH		
SIZE B	DWG. NO. D-USB-AFAF-M25-PA	REV A
SCALE: 3:2	WEIGHT:	SHEET 1 OF 1

8 7 6 5 4 3 2 1