

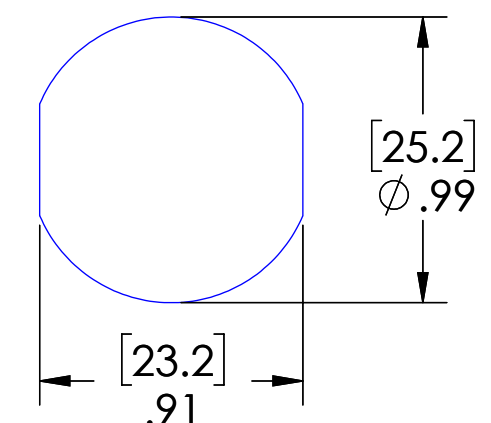
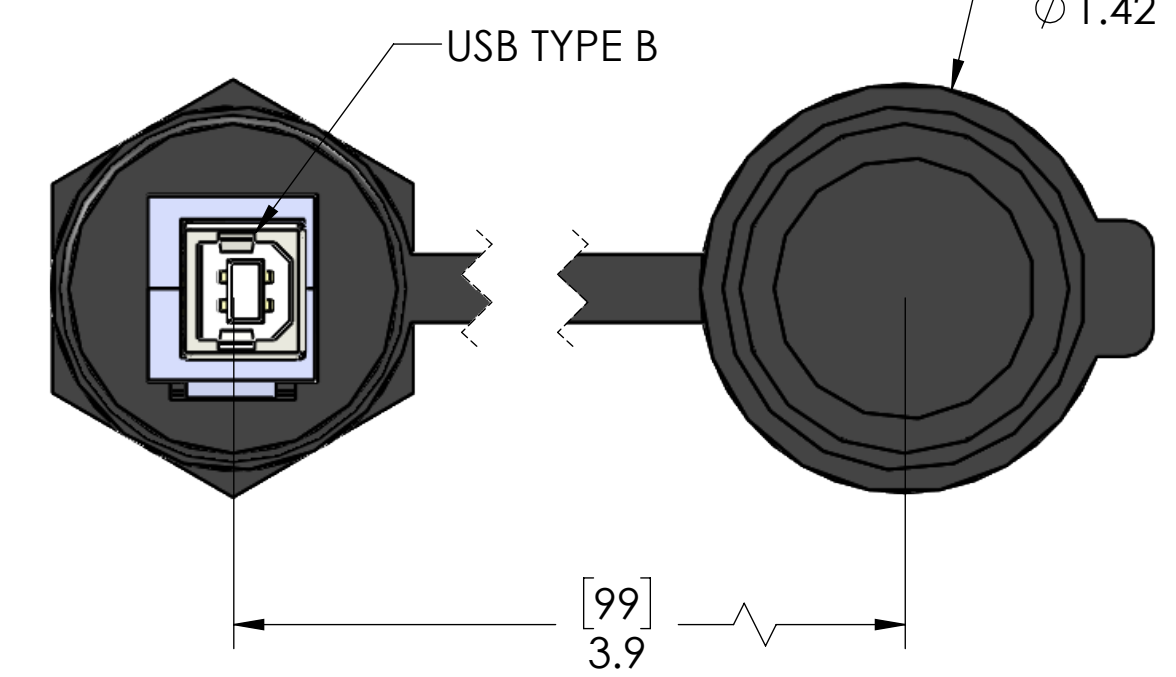
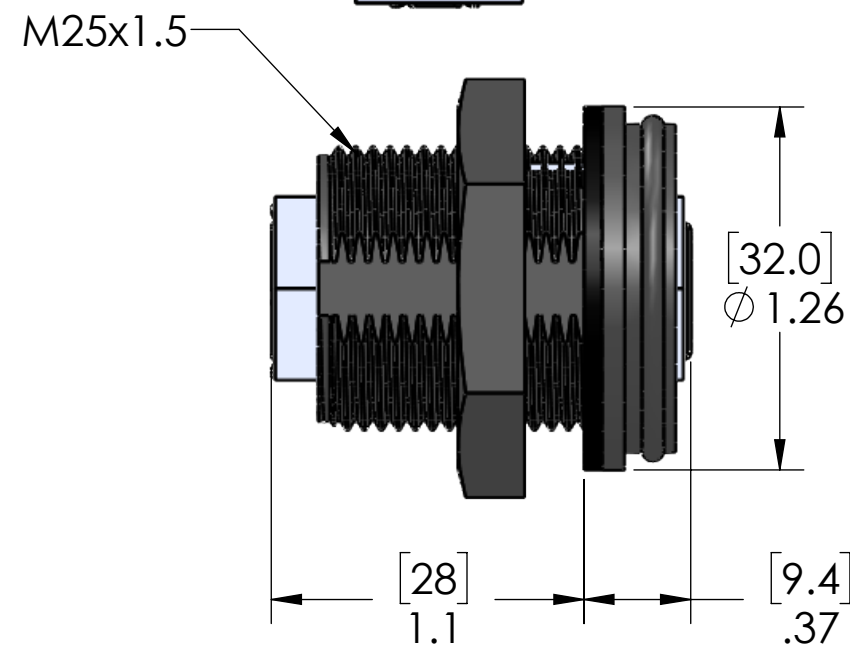
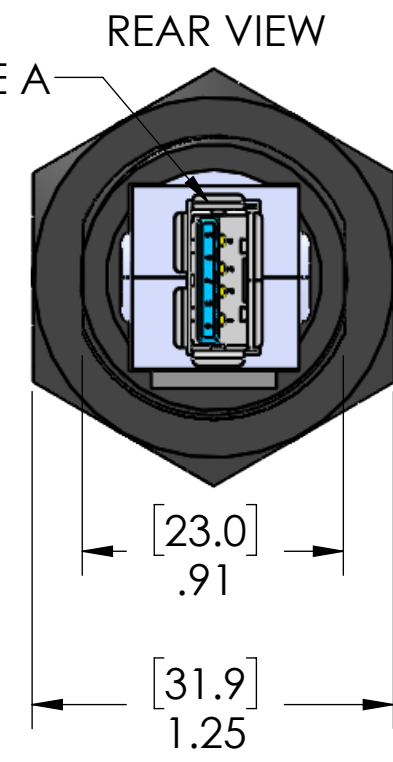
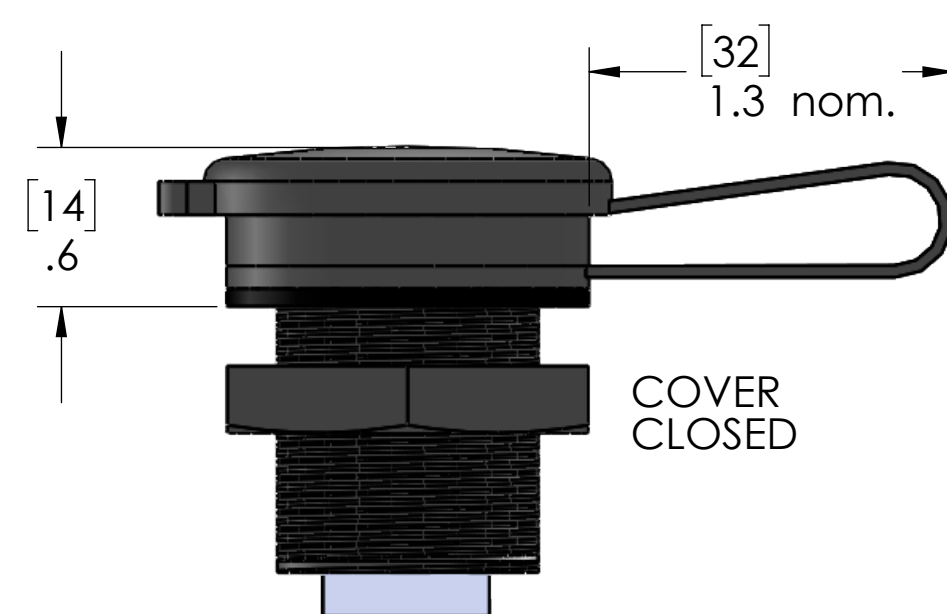
8 7 6 5 4 3 2 1

D

C

B

A



MATERIALS:	
BODY & CAP:	BLACK POLYPROPYLENE
GASKET:	TPE
CONNECTOR:	USB-B 2.0 FEM - USB-A 3.0 FEM
LOCKNUT:	POLYAMIDE
CERTIFICATIONS:	
SEAL:	UL TYPE 12
	IP65 & 69
US:	UL LISTED
CANADA:	c-UL LISTED

UNLESS OTHERWISE SPECIFIED:	DRAWN BY	ADM
DIMENSIONS ARE IN MM	DRAWN DATE	09/22/2016
TOLERANCES:	CHECKED BY	
FRACTIONAL ± 1/64	CHECK DATE	
ANGULAR: MACH ± 3° BEND ± 5°		
ONE PLACE DECIMAL ± .2		
TWO PLACE DECIMAL ± .1		
MATERIAL	COMMENTS:	
FINISH		
DO NOT SCALE DRAWING		

MENCOM CORPORATION		
TITLE:		
USB B TO USB A PASSTHROUGH		
SIZE	DWG. NO.	REV
B	D-USB-BFAF-M25-PA	B
SCALE: 3:2	WEIGHT:	SHEET 1 OF 1

PROPRIETARY AND CONFIDENTIAL
THE INFORMATION CONTAINED IN THIS DRAWING IS THE SOLE PROPERTY OF MENCOM CORPORATION. ANY REPRODUCTION IN PART OR AS A WHOLE WITHOUT THE WRITTEN PERMISSION OF MENCOM CORPORATION IS PROHIBITED.

8 7 6 5 4 3 2 1