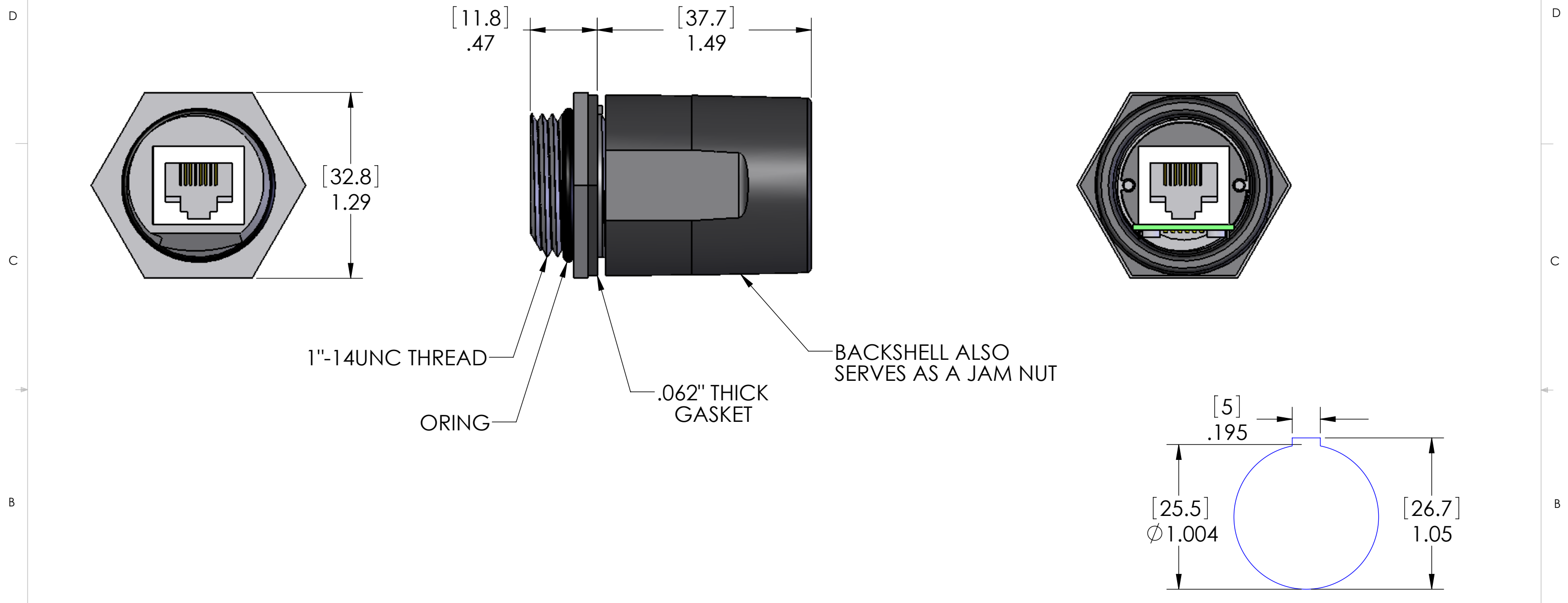


REVISIONS			
REV.	DESCRIPTION	DATE	APPROVED
A	REDRAWN IN SW	2/14/2006	



MATERIALS / SPECIFICATIONS:	
BODY:	POLYAMIDE
BACKSHELL:	POLYAMIDE
O-RING:	BUNA-N
GASKET:	BUNA-N
SEAL:	IP67
TIA/EIA RATING:	CAT 5e
TEMP RATING:	-20°C - 80°C
AMPS:	1.5A
VOLTS:	125VDC
MIN PANEL THICKNESS:	.056"
MAX PANEL THICKNESS:	.187"

PROPRIETARY AND CONFIDENTIAL
 THE INFORMATION CONTAINED IN THIS DRAWING IS THE SOLE PROPERTY OF MENCOM CORPORATION. ANY REPRODUCTION IN PART OR AS A WHOLE WITHOUT THE WRITTEN PERMISSION OF MENCOM CORPORATION IS PROHIBITED.

UNLESS OTHERWISE SPECIFIED:	
DIMENSIONS ARE IN INCHES AND [MM]	
MATERIAL	
FINISH	
DO NOT SCALE DRAWING	

NAME		MENCOM CORPORATION	
DRAWN	BEM	TITLE:	
CHECKED		SIZE DWG. NO.	
ENG APPR.		B	E45V3-8FFR-M25
MFG APPR.		SCALE: 3:2	WEIGHT:
Q.A.		REV A	
COMMENTS:		SHEET 1 OF 1	