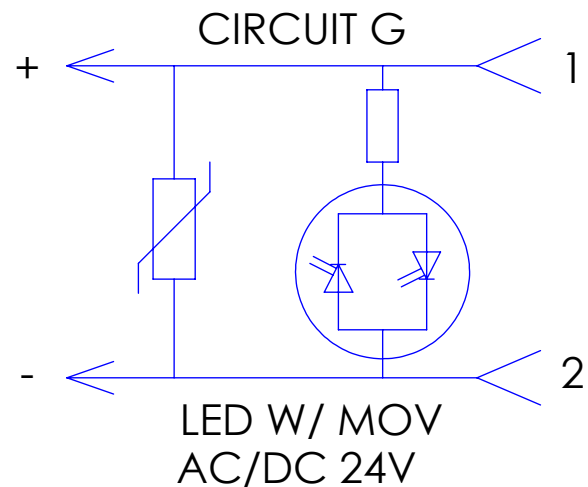


VALVE PIN #	COLOR
1	BRN
2	BLU
GND	GRN/YEL



REVISIONS			
REV.	DESCRIPTION	DATE	APPROVED
A	REDRAWN IN SW	3/5/2014	JJH

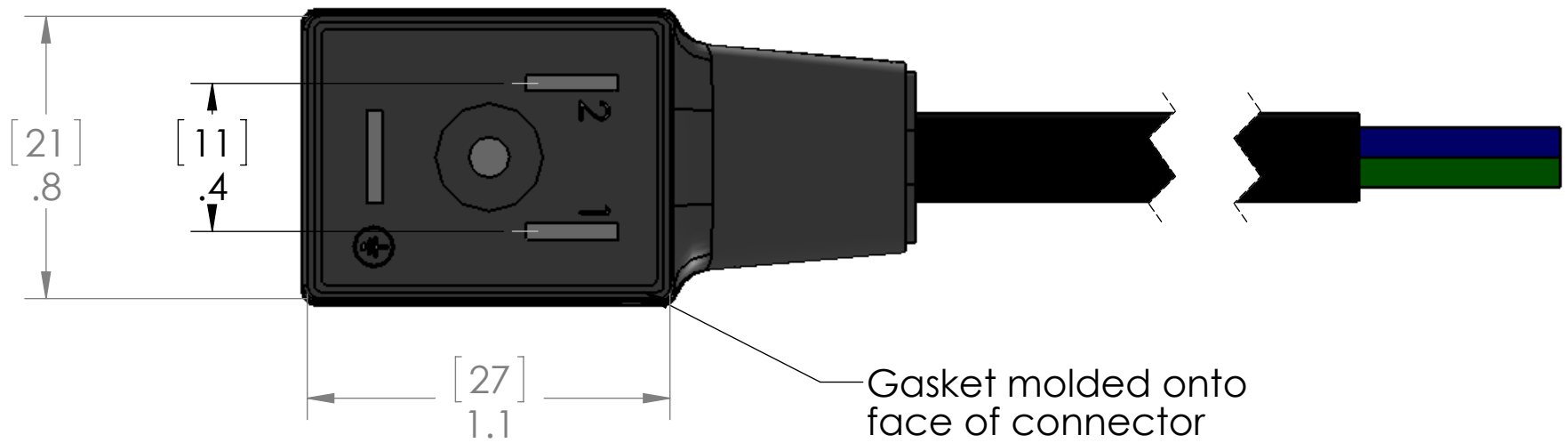
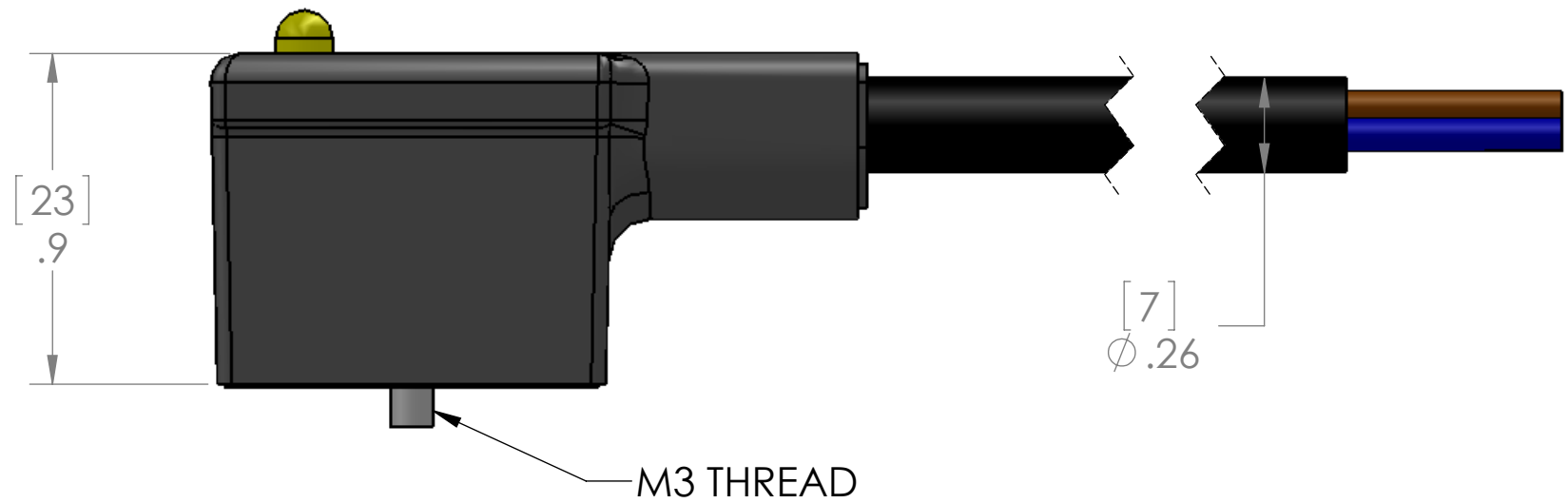


TABLE A		
P/N	L	STD?
VDG-180-00	39" [1M]	NO
VDG-280-00	79" [2M]	YES
VDG-380-00	118" [3M]	NO
VDG-480-00	157" [4M]	NO
VDG-580-00	197" [5M]	YES
VDG-680-00	236" [6M]	NO
VDG-A80-00	393" [10M]	YES

PARTS LISTED AS NOT BEING STANDARD MAY REQUIRE MINIMUM ORDERS

MATERIALS:	
CABLE:	18/3 BLACK PVC JACKET
BODY:	TPE
CONTACTS:	SILVER PLATED COPPER ALLOY
SCREW:	ZINC PLATED STEEL
TEMP:	-25°C TO 90°C
SEAL:	IP65

**PROPRIETARY AND CONFIDENTIAL**  
 THE INFORMATION CONTAINED IN THIS DRAWING IS THE SOLE PROPERTY OF MENCOM CORPORATION. ANY REPRODUCTION IN PART OR AS A WHOLE WITHOUT THE WRITTEN PERMISSION OF MENCOM CORPORATION IS PROHIBITED.

UNLESS OTHERWISE SPECIFIED:		NAME
DIMENSIONS ARE IN INCHES AND [MM]	DRAWN	RSC
	CHECKED	
	ENG APPR.	
	MFG APPR.	
	Q.A.	
MATERIAL	COMMENTS:	
FINISH		
DO NOT SCALE DRAWING		

MENCOM CORPORATION		
TITLE: I/S B 24V MOV LED 2+E		
SIZE <b>B</b>	DWG. NO. VDG-ZZ80-00	REV <b>A</b>
SCALE: 2:1	WEIGHT:	SHEET 1 OF 1