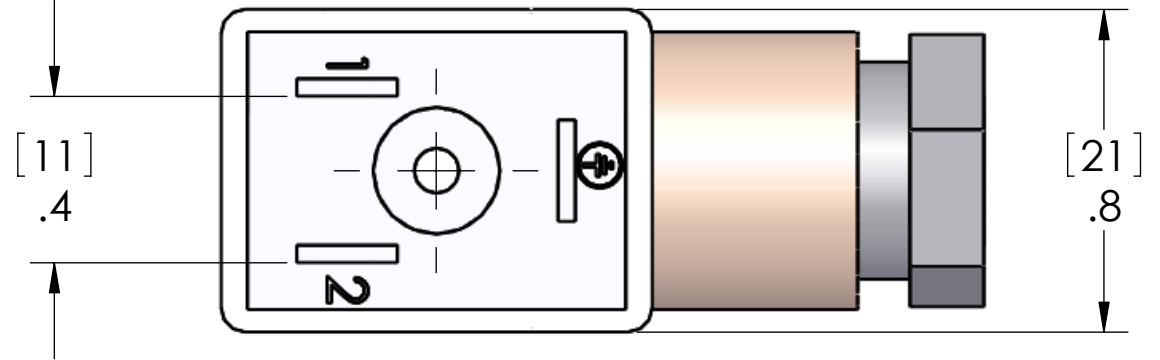
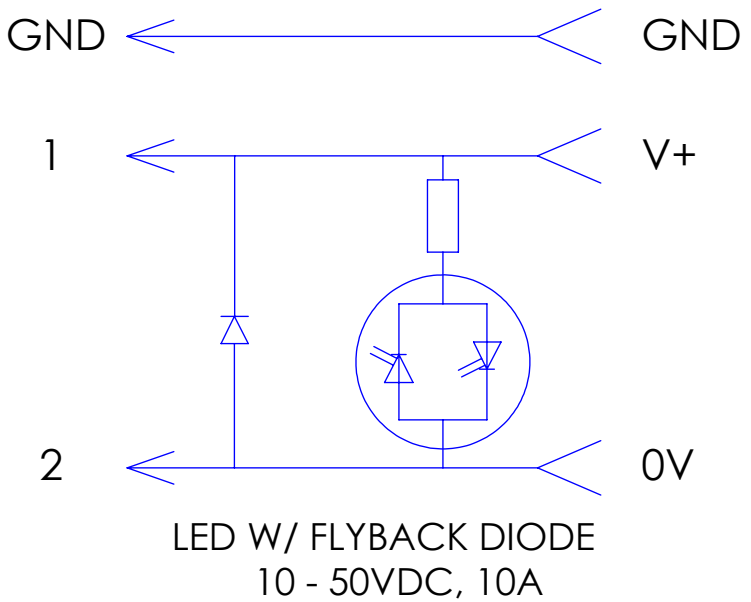
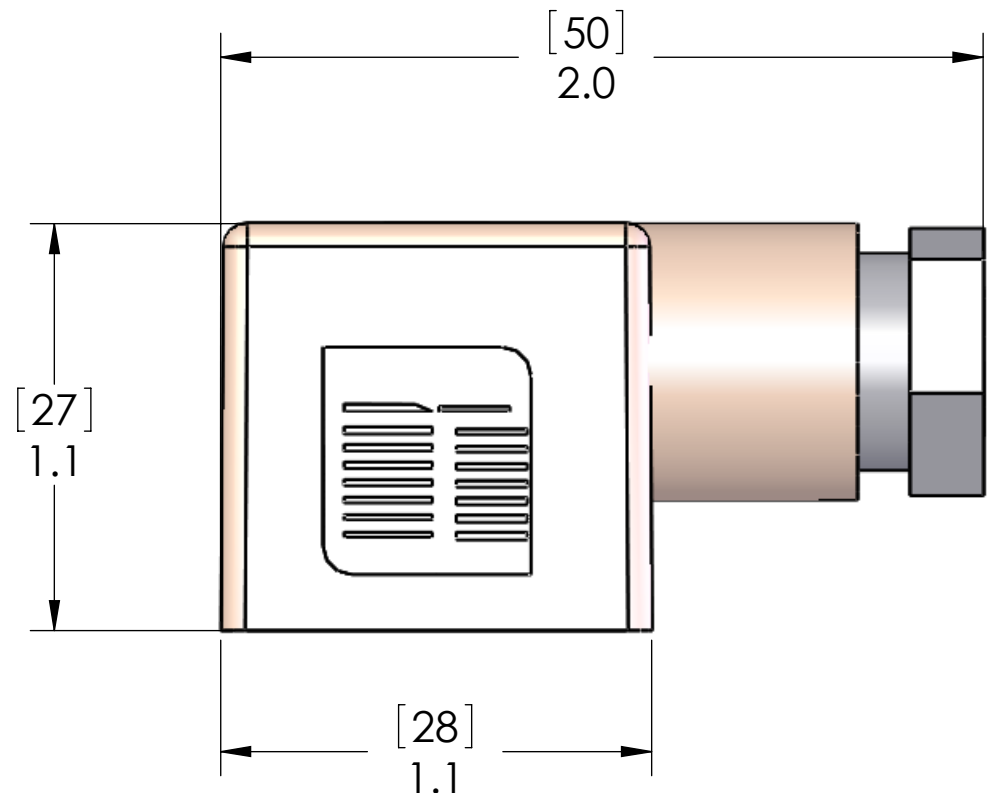


REVISIONS			
REV.	DESCRIPTION	DATE	APPROVED
A	REDRAWN IN SW	9/13/2007	



CABLE RANGE: 6 - 8mm dia., 16AWG MAX

GASKET AND SCREW INCLUDED BUT NOT SHOWN

MATERIALS	
DIN BODY:	POLYAMIDE
DIN CONTACTS:	COPPER ALLOY SILVER PLATED
GASKET:	THERMOPLASTIC
SCREW:	ZINC PLATED STEEL

PROPRIETARY AND CONFIDENTIAL
 THE INFORMATION CONTAINED IN THIS DRAWING IS THE SOLE PROPERTY OF MENCOM CORPORATION. ANY REPRODUCTION IN PART OR AS A WHOLE WITHOUT THE WRITTEN PERMISSION OF MENCOM CORPORATION IS PROHIBITED.

UNLESS OTHERWISE SPECIFIED:		NAME		MENCOM CORPORATION	
DIMENSIONS ARE IN INCHES AND [MM]		DRAWN	CAM	TITLE:	
		CHECKED			
		ENG APPR.			
		MFG APPR.			
		Q.A.			
		COMMENTS:			
MATERIAL		SIZE	DWG. NO.	REV	
FINISH		B	VDC-029-00	A	
DO NOT SCALE DRAWING		SCALE: 2:1	WEIGHT:	SHEET 1 OF 1	