

PIN #	COLOR
1	BROWN
2	BLUE
3	GREEN / YELLOW

REVISIONS		
REV.	DESCRIPTION	DATE
A	REDRAWN IN SW	3/18/2005
B	ORIENTATION CHANGE	11/10/2005

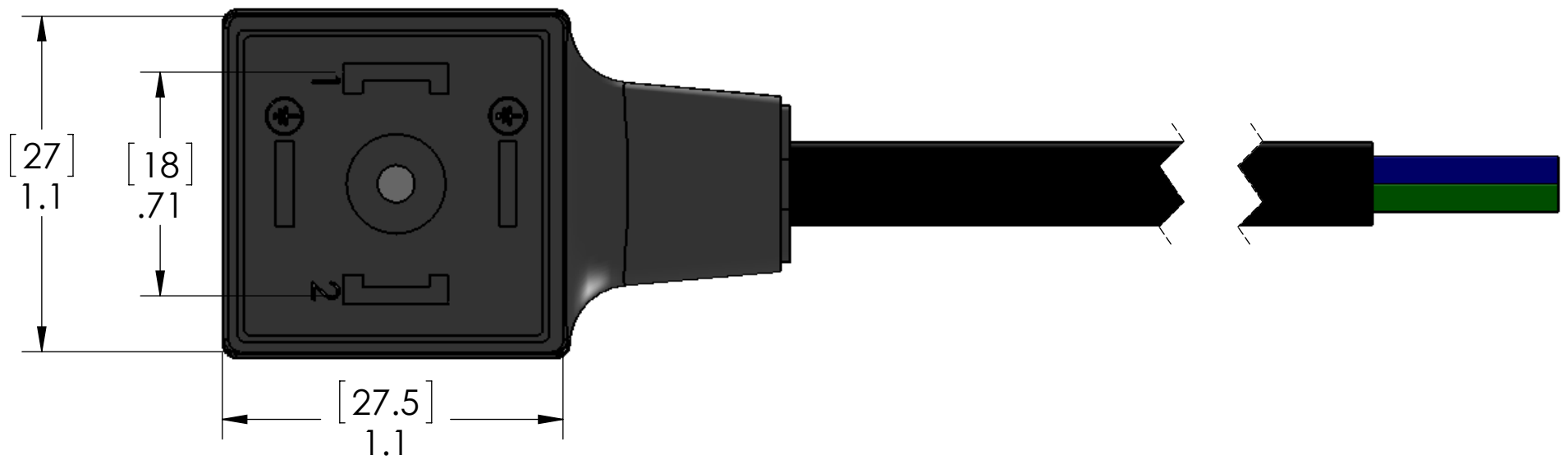
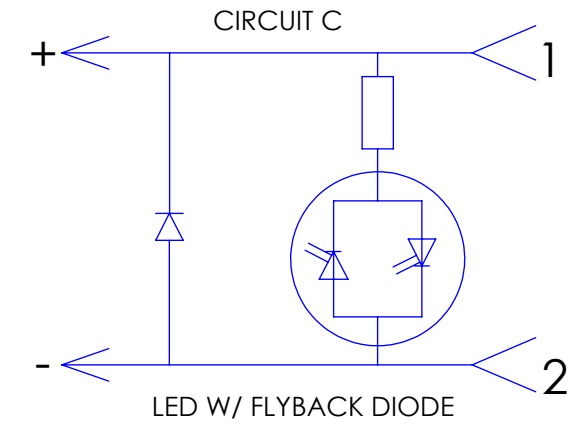
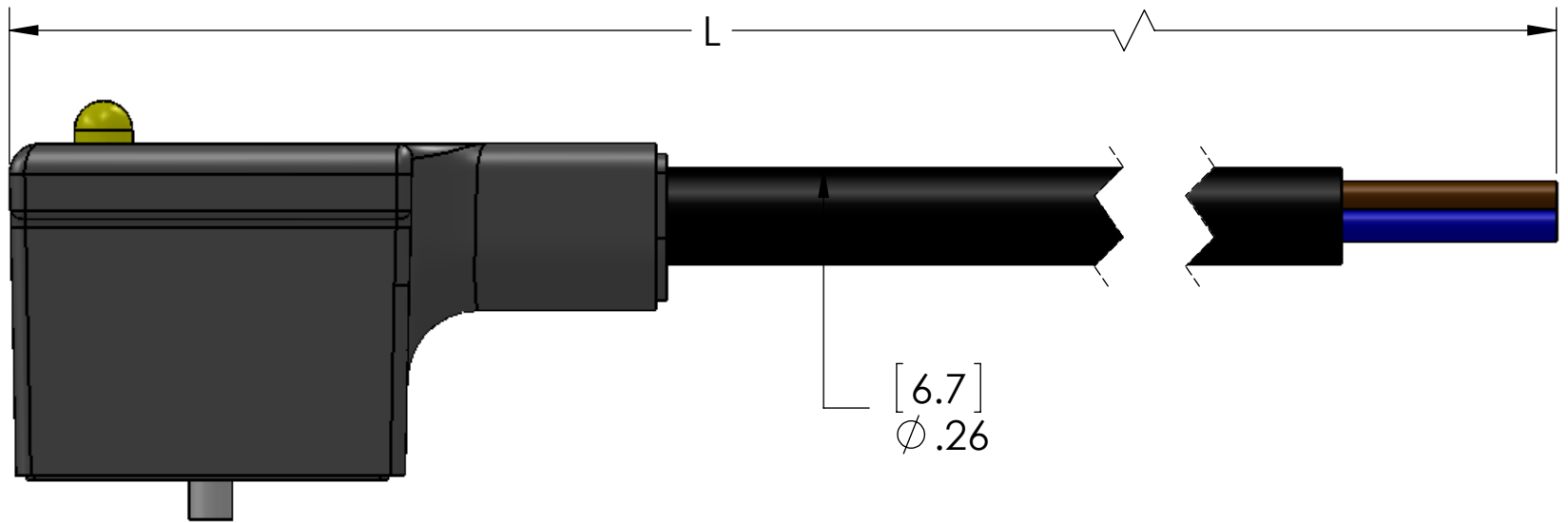


TABLE A	
P/N	L
VAC-120-00	40" [1M]
VAC-220-00	79" [2M]
VAC-320-00	118" [3M]
VAC-420-00	157" [4M]
VAC-520-00	197" [5M]
VAC-620-00	236" [6M]
VAC-A20-00	393" [10M]

MATERIALS	
BODY:	BLACK TPE
CONTACTS:	SILVER PLATED COPPER ALLOY
CABLE:	BLACK 18/3 OIL RESISTANT
GASKET:	THERMOPLASTIC
SCREW:	ZINC PLATED STEEL

PROPRIETARY AND CONFIDENTIAL
 THE INFORMATION CONTAINED IN THIS DRAWING IS THE SOLE PROPERTY OF MENCOM CORPORATION. ANY REPRODUCTION IN PART OR AS A WHOLE WITHOUT THE WRITTEN PERMISSION OF MENCOM CORPORATION IS PROHIBITED.

VOLTS	10-50VDC
AMPS	10A
SPECIFICATIONS	

UNLESS OTHERWISE SPECIFIED:
 DIMENSIONS ARE IN METERS AND MILLIMETERS
 MATERIAL
 FINISH
 DO NOT SCALE DRAWING

NAME	BEM
DRAWN	
CHECKED	
ENG APPR.	
MFG APPR.	
Q.A.	
COMMENTS:	

MENCOM CORPORATION		
TITLE: DIN FORM A CABLE 2+E		
SIZE	DWG. NO.	REV
B	VAC-ZZ20-00	B
SCALE: 2:1	WEIGHT:	SHEET 1 OF 1