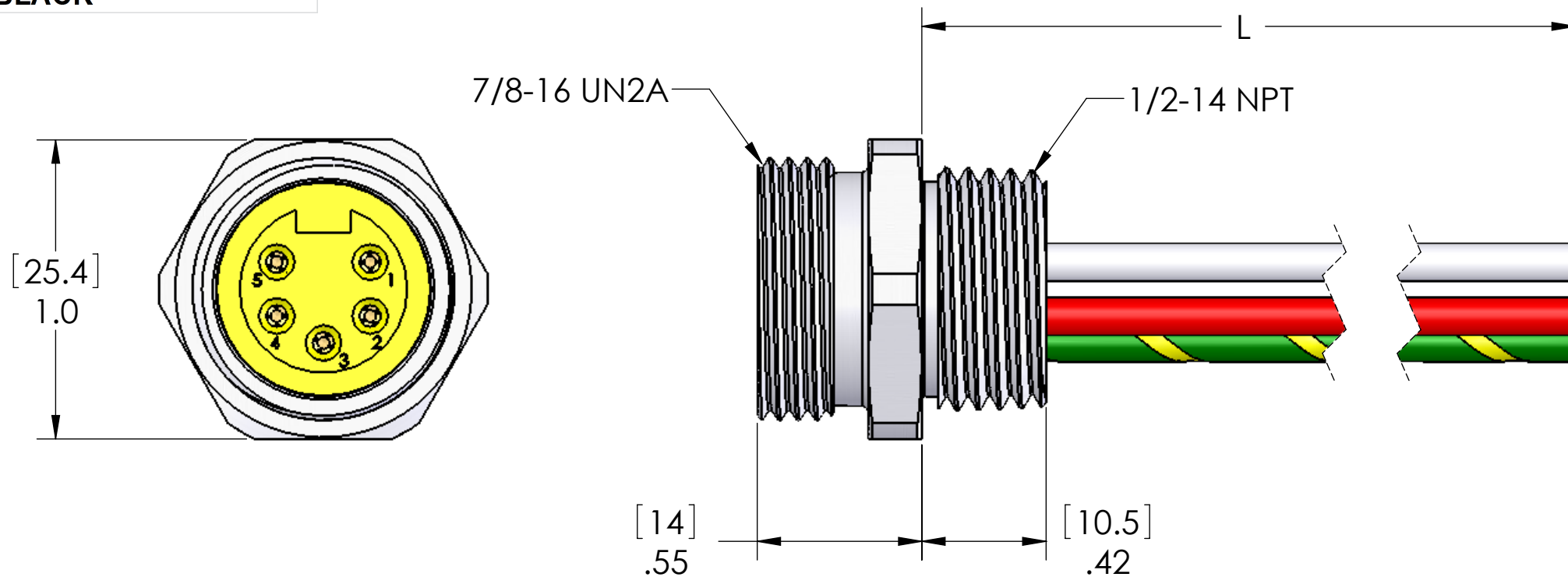


PIN #	COLOR
1	WHITE
2	RED
3	GREEN / YELLOW
4	ORANGE
5	BLACK

REVISIONS			
REV.	DESCRIPTION	DATE	APPROVED
A	REDRAWN IN SW	7/23/2004	
B	update shell	6/10/2013	DCT



LOCKNUT AND O-RING ARE INCLUDE ON LENGTHS OF 24" AND LONGER.

TABLE A	
P/N	L
MIN-5FR-1	12" [0.3m]
MIN-5FR-2	24" [0.6m]
MIN-5FR-3	36" [0.9m]
MIN-5FR-4	48" [1.2m]
MIN-5FR-6	72" [1.8M]
MIN-5FR-10	120" [3.0M]
MIN-5FR-15	180" [4.6M]
MIN-5FR-20	240" [6.1M]

MATERIALS	
BODY:	CLEAR ANODIZED ALUMINUM
INSERT:	PVC
CONTACTS:	GOLD PLATED COPPER ALLOY
WIRES:	UL1015 16AWG
LOCKNUT:	ZINC PLATED STEEL
O-RING:	NBR

APPROVALS:	
US	UL LISTED
CANADA	C-UL LISTED

**PROPRIETARY AND CONFIDENTIAL**  
 THE INFORMATION CONTAINED IN THIS DRAWING IS THE SOLE PROPERTY OF MENCOM CORPORATION. ANY REPRODUCTION IN PART OR AS A WHOLE WITHOUT THE WRITTEN PERMISSION OF MENCOM CORPORATION IS PROHIBITED.

VOLTS	600V
AMPS	8A
TEMP	105°C

SPECIFICATIONS

UNLESS OTHERWISE SPECIFIED:	NAME
DIMENSIONS ARE IN INCHES AND [MM]	DRAWN BEM
	CHECKED
	ENG APPR.
	MFG APPR.
	Q.A.
	COMMENTS:
MATERIAL	
FINISH	
DO NOT SCALE DRAWING	

MENCOM CORPORATION

TITLE:

SIZE	DWG. NO.	REV
<b>B</b>	MIN-5FR-ZZ	<b>B</b>

SCALE: 2:1 WEIGHT:

SHEET 1 OF 1