

# Series - 8551, 8552, 8553

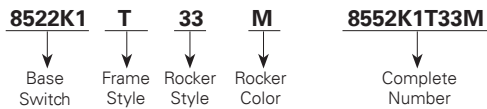
# ECONOSWITCH SEALED ROCKER SWITCHES Econoswitch Sealed Rocker Switches With Removable Rocker Button (RB Series)

FEATURES	SPECIFICATIONS	CURRENT RATINGS
<ul style="list-style-type: none"> <li>Environmentally sealed</li> <li>1, 2 and 4 pole circuitry</li> <li>2 &amp; 3 position with maintained and momentary action</li> <li>Rocker button is removable for decal or icon interchangeability</li> <li>Multi-circuits</li> <li>Three types of termination offered as standard</li> <li>Rocker button variations                             <ul style="list-style-type: none"> <li>Smooth and serrated in opaque colors</li> <li>Transparent</li> <li>Translucent</li> </ul> </li> <li>Panel mounting variations                             <ul style="list-style-type: none"> <li>Flush panel</li> <li>Sub panel</li> </ul> </li> </ul>	<ul style="list-style-type: none"> <li>Watertight per MIL-STD-108E and designed to meet IP68</li> <li>UL recognized and CSA certified</li> <li>Base compression seal</li> <li>Temperature Range: -50°F to +150°F (-46°C to +66 °)</li> <li>Life: 50,000 operations at rated load 100,00 operations mechanical life</li> <li>Three standard types of terminals                             <ul style="list-style-type: none"> <li>Screw 6-32" UNC-2A</li> <li>Solder lug .125 [3,17] dia. hole</li> <li>Spade .250 [6,35]x.032 [0,81] thick</li> </ul> </li> </ul>	

## WHEN ORDERING SPECIFY

\* Catalog number of base switch followed by suffix letters and numbers for mounting bracket, rocker color and style as listed in selection table.

Order Example:



Sub-Panel Style



Flush Panel Style

## SELECTION TABLE

CIRCUIT WITH LEVER IN . . .			BASE CATALOG NUMBER <sup>②</sup>			SUFFIX NUMBERS & LETTERS - ADD TO BASE CATALOG NUMBER					
Up Position	Center Position	Down Position (ID lug) <sup>①</sup>	Screw Terminals	Solder Terminals	Spade Terminals	MOUNTING BRACKET		ROCKER STYLE <sup>③</sup>		ROCKER COLOR	
						Frame Style	Code Letter	Style	Code No.	Color	Code Letter
<b>One Pole</b>											
ON	OFF	ON	8551K1	8551K91	8551K31						
ON	NONE	OFF	K9	K99	K39						
ON	NONE	ON	K4	K94	K34					White	M
ON	OFF	NONE	K6	K96	K36						
ON	NONE	ON*	K5	K95	K35						
* ON	OFF	ON*	K2	K92	K32						
NONE	OFF	ON*	K7	K97	K37						
ON	NONE	OFF*	K10	K910	K310	Flush Panel	T	Serrated	32	Red	T
OFF	NONE	ON*	K11	K911	K311						
ON	OFF	ON*	K3	K93	K33						
* ON	ON	NONE	K12	K912	K312						
ON	ON	NONE	K13	K913	K313					Black	V
<b>Two Pole</b>											
ON	OFF	ON	8552K1	8552K91	8552K31						
ON	NONE	OFF	K9	K99	K39						
ON	NONE	ON	K4	K94	K34						
ON	OFF	NONE	K6	K96	K36						
ON	NONE	ON*	K5	K95	K35	Sub-Panel	W	Smooth	33	Translucent	L
* ON	OFF	ON*	K2	K92	K32						
NONE	OFF	ON*	K7	K97	K37						
ON	NONE	OFF*	K10	K910	K310						
OFF	NONE	ON*	K11	K911	K311						
ON	OFF	ON*	K3	K93	K33					Transparent	P
* ON	ON	NONE	K12	K912	K312						
ON	ON	NONE	K13	K913	K313						
ON	ON	ON	K14	K914	K314						
ON	ON	ON*	K15	K915	K315						
* ON	ON	ON*	K16	K916	K316						

\* Momentary Contact.

① Identification lug side.

② Incomplete catalog number: add suffix letters and numbers for Mounting Brackets, Rocker Style & Color

③ Other Rocker Styles available



SAFRAN ELECTRICAL & POWER

C9

# ECONOSWITCH SEALED ROCKER SWITCHES

## Series - 8551, 8552, 8553

# Econoswitch Sealed Rocker Switches With Removable Rocker Button (RB Series)

### SELECTION TABLE, CON'T.

CIRCUIT WITH LEVER IN . . .			BASE CATALOG NUMBER <sup>②</sup>			SUFFIX NUMBERS & LETTERS - ADD TO BASE CATALOG NUMBER					
Up Position	Center Position	Down Position (ID lug) <sup>①</sup>	Screw Terminals	Solder Terminals	Spade Terminals	MOUNTING BRACKET		ROCKER STYLE <sup>③</sup>		ROCKER COLOR	
						Frame Style	Code Letter	Style	Code No.	Color	Code Letter
<b>Four Pole</b>											
ON	OFF	ON	8553K1	8553K91	8553K31	Flush Panel	T	Serrated	32	White	M
ON	NONE	OFF	K9	K99	K39						
ON	NONE	ON	K4	K94	K34						
ON	OFF	NONE	K6	K96	K36					Black	V
ON	NONE	ON*	K5	K95	K35						
* ON	OFF	ON*	K2	K92	K32						
NONE	OFF	ON*	K7	K97	K37						
ON	NONE	OFF*	K10	K910	K310	Sub-Panel	W	Smooth	33	Translucent	L
OFF	NONE	ON*	K11	K911	K311						
ON	OFF	ON*	K3	K93	K33						
* ON	ON	NONE	K12	K912	K312					Transparent	P
ON	ON	NONE	K13	K913	K313						
ON	ON	ON	K15	K915	K315						
ON	ON	ON*	K16	K916	K316						
* ON	ON	ON*	K17	K917	K317						

**\* Momentary circuit.**

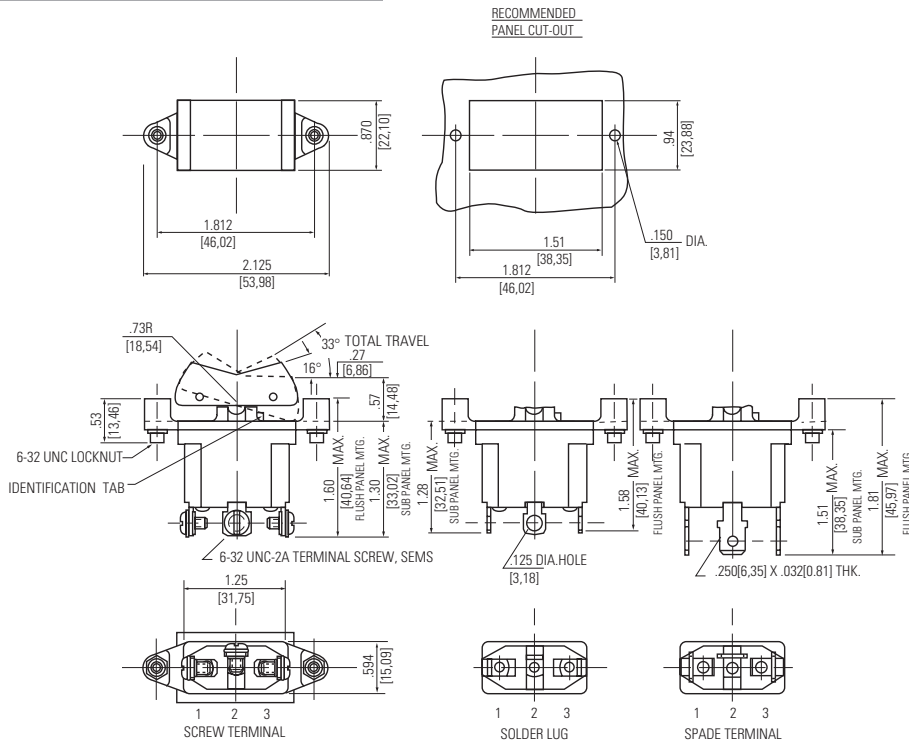
See pages C26-C27 and C29-C31 for circuit diagrams.

① Identification lug side.

② Incomplete catalog number; add suffix letters and numbers for Mounting Brackets, Rocker Style & Color

③ Other Rocker Styles available

### MOUNTING DIMENSIONS - ONE POLE / 8551



**STANDARD**  
0.00 = inches  
[0,0] = mm

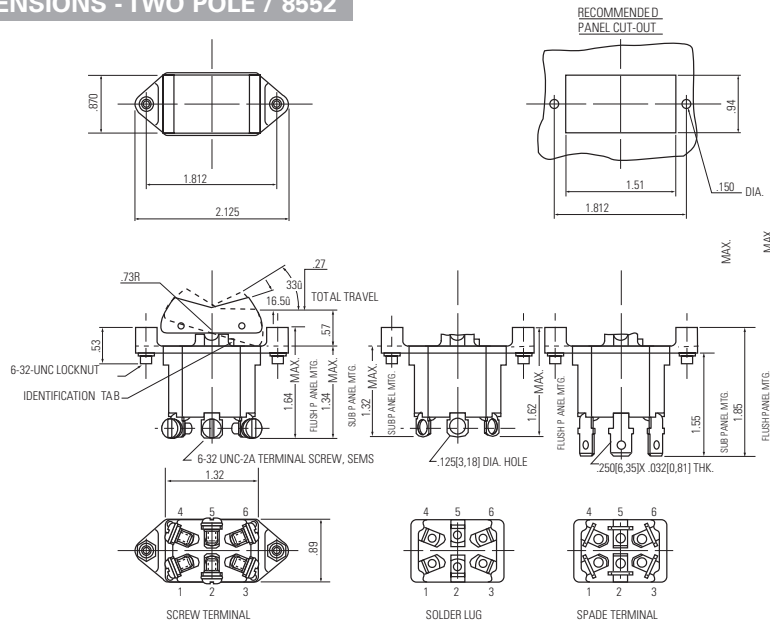
Dimensions for reference only.

# ECONOSWITCH SEALED ROCKER SWITCHES

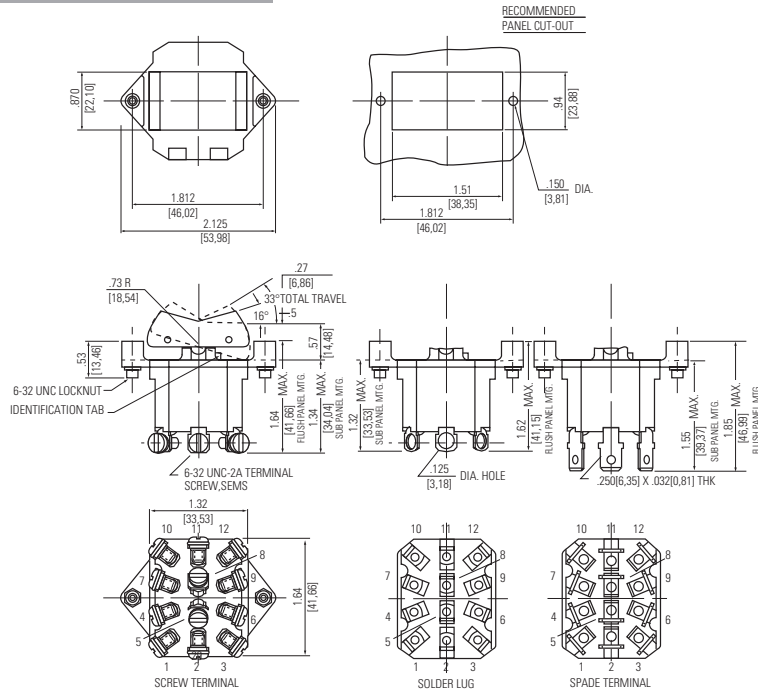
## Econoswitch Sealed Rocker Switches With Removable Rocker Button (RB Series)

Series - 8551, 8552, 8553

### MOUNTING DIMENSIONS - TWO POLE / 8552



### MOUNTING DIMENSIONS - FOUR POLE / 8553



**STANDARD**  
0.00 = inches  
[0,0] = mm

Dimensions for reference only.

# ECONOSWITCH SEALED ROCKER SWITCHES

## Series - 8551, 8552, 8553

# Econoswitch Sealed Rocker Switches With Removable Rocker Button (RB Series)

### OPTIONS/ACCESSORIES

- Special color rockers
- Hot stamped lettering on rockers - smooth rockers only
- Special marking on switches
- Optional Actuator
- Gold plated contacts

### REPLACEMENT SMOOTH BUTTON SELECTION TABLE

<b>Color</b>	<b>Part Number</b>
White	53-2161-2
Red	53-2161-3
Black	53-2161-4
Translucent	53-2415
Transparent	53-2161-6