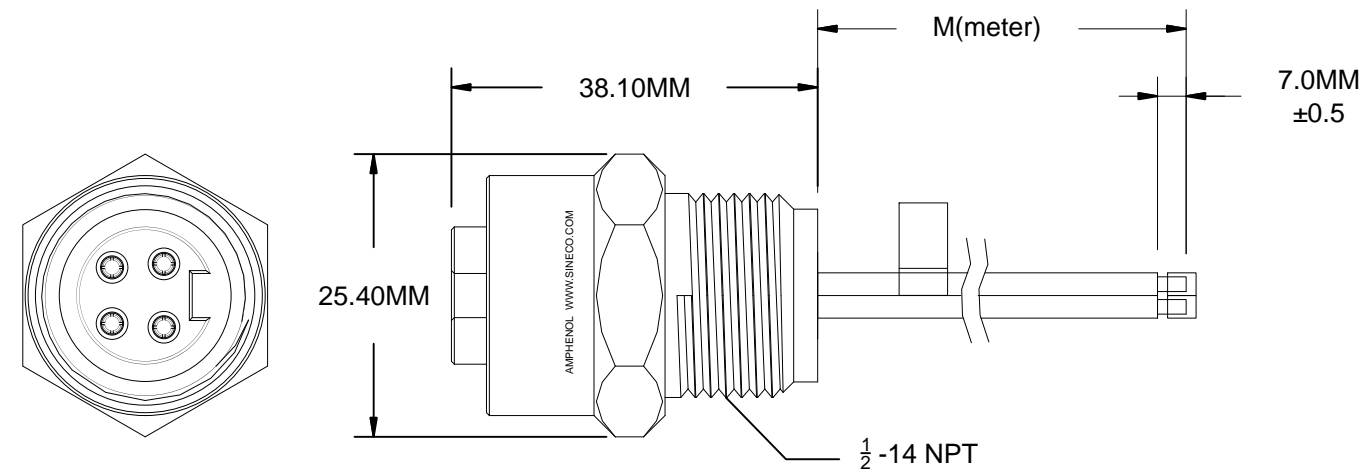
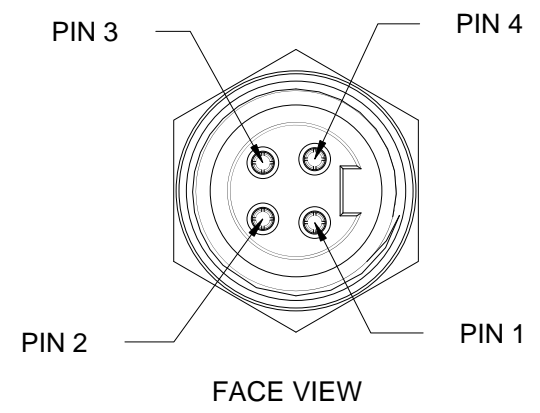
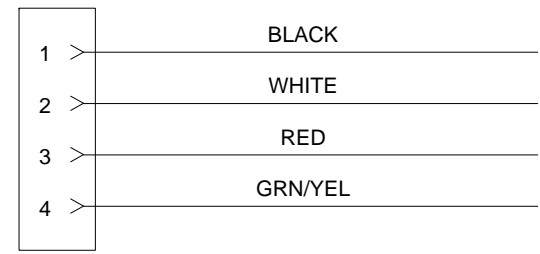


REVISIONS						
REV	ZONE	ECO	DESCRIPTION	DATE	BY	APPR
A1	-	-	TECHNICAL DATA SHEET RELEASE	15 OCT 15	JLAG	-



**WIRING DIAGRAM**



**TECHNICAL DATA:**

**1) MATERIALS:**

- COUPLING NUT: MACHINED ALUMINUM, ANODIZED
- INSULATION INSERT: THERMOPLASTIC, UL 94/V-0
- CONTACT: GOLD FLASH PLATING OVER COPPER ALLOY
- CABLE RATING: UL LISTED TYPE 1015, CSA CERTIFIED TYPE TEW, FT1 FLAME RATING, 600V, 105°C
- CABLE JACKET MATERIAL: PVC
- CONDUCTOR INSULATION: PVC
- NUMBER OF CONDUCTORS: (4) 16AWG

**2) ELECTRICAL DATA:**

- CURRENT (MAX): 10A
- VOLTAGE (MAX): 600V AC/DC
- INSULATION RESISTANCE (MIN): 5000M OHMS
- DIELECTRIC TEST VOLTAGE: 2200V

TOLERANCE
0-2.99 M = +100.0/-25.0mm
3-8.99 M = +150.0/-25.0mm
9-14.99 M = +300.0/-25.0mm
15-OVER M = +450.0/-25.0mm

**3) MECHANICAL DATA:**

- TEMPERATURE RANGE: -20°C TO +105°C
- PROTECTION: IP67 (MATED CONDITION)
- MATING CYCLES: >500
- VIBRATION RESISTANCE PER MIL-STD-202 METHOD 204
- THERMAL SHOCK PER MIL-STD-202 METHOD 207
- 48 HOUR SALT SPRAY PER MIL-STD-202 METHOD 101

- 4) RoHS COMPLIANT
- 5) UL 2238 LISTED ASSEMBLY
- UL FILE NUMBERS: E224856

Risk of Electrical Shock  
Do Not Disconnect Under Load.  
Risque de chocs electriques  
Ne pas debrancher sous tension.  
 **WARNING**

QUANTITY	PART NUMBER	DESCRIPTION	ITEM												
<b>MATERIALS LIST</b>															
UNLESS OTHERWISE SPECIFIED 1) All dimensions are in metric(mm). 2) Tolerances are as follows: 1 PL DEC ±0.30    Fractions ±1/64 2 PL DEC ±0.15    Angles ±1° 3 PL DEC ±0.08 3) Note reference =		<div style="font-size: 2em; font-weight: bold; margin-bottom: 10px;">Amphenol</div> Sine Systems - www.sineco.com 44724 Morley Drive Clinton Township, MI 48036													
MATERIAL SPECIFICATIONS:  PROCESS SPECIFICATIONS:  NEXT ASSY:		<table border="1" style="width: 100%; border-collapse: collapse;"> <tr> <th>SIGNATURES</th> <th>DATE</th> </tr> <tr> <td>DRAWN: KMM</td> <td>12-MAY-14</td> </tr> <tr> <td>CHECKED: MRF</td> <td>12-MAY-14</td> </tr> <tr> <td>ENGINEER: KMM</td> <td></td> </tr> <tr> <td>APPROVAL: RFC</td> <td>12-MAY-14</td> </tr> <tr> <td>CUSTOMER:</td> <td></td> </tr> </table> <p style="font-size: x-small;">THIS DRAWING IS SUPPLIED FOR INFORMATION ONLY. DESIGN FEATURES, SPECIFICATIONS AND PERFORMANCE DATA SHOWN HEREON ARE THE PROPERTY OF THE AMPHENOL CORPORATION. NO RIGHTS OF REPRODUCTION ARE IMPLIED. ALL DIMENSIONS ARE SUBJECT TO NORMAL MANUFACTURING VARIATIONS.</p>		SIGNATURES	DATE	DRAWN: KMM	12-MAY-14	CHECKED: MRF	12-MAY-14	ENGINEER: KMM		APPROVAL: RFC	12-MAY-14	CUSTOMER:	
SIGNATURES	DATE														
DRAWN: KMM	12-MAY-14														
CHECKED: MRF	12-MAY-14														
ENGINEER: KMM															
APPROVAL: RFC	12-MAY-14														
CUSTOMER:															
SCALE: HALF		<table border="1" style="width: 100%; border-collapse: collapse;"> <tr> <td style="font-size: 2em; font-weight: bold;">C-</td> <td style="font-size: 1.5em; font-weight: bold;">MN44PW02M</td> <td style="font-size: 1.5em; font-weight: bold;">A1</td> </tr> <tr> <td colspan="2">MN44PW02M</td> <td>SHEET 1 OF 1</td> </tr> </table>		C-	MN44PW02M	A1	MN44PW02M		SHEET 1 OF 1						
C-	MN44PW02M	A1													
MN44PW02M		SHEET 1 OF 1													

TITLE: 4 PIN MINI RECEPTACLE ASSEMBLY  
 DRAWN BY: KMM  
 CHECKED BY: MRF  
 ENGINEER: KMM  
 APPROVAL: RFC  
 DATE: 12-MAY-14  
 SHEET 1 OF 1