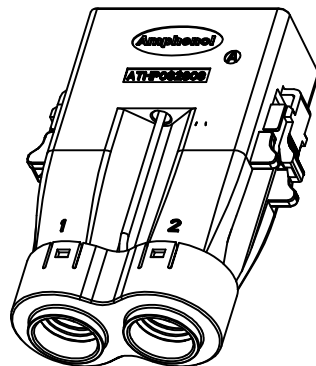
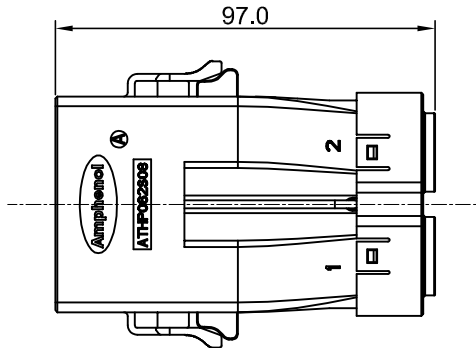
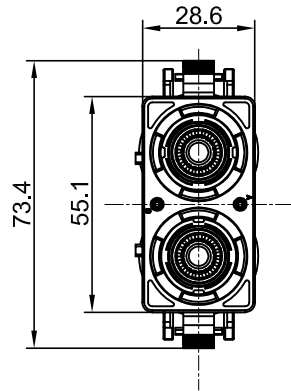


REVISIONS					
REV	ECO	DESCRIPTION	DATE	BY	APPR
A1	-	RELEASE NEW DRAWING	Dec.15.2016	Regan	Tommy



NO.	PART NUMBER	Cable OD Range
1	ATHP062S08NL16-50S1	15.5~16.5 mm

OTHER OD RANGE IS OPTION

NOTES: UNLESS OTHERWISE SPECIFIED


1. MATERIAL:
 - 1.1 HOUSING: THERMOPLASTIC UL 94V0
 - 1.2 SEAL: SILICONE RUBBER
 - 1.3 POWER CONTACT: COPPER ALLOY, SILVER PLATED
2. SPECIFICATIONS:
 - 2.1 CURRENT RATING: 50mm²@180 AMPS
 - 2.2 VOLTAGE RATING: 1000 V AC/DC
 - 2.3 OPERATING TEMPERATURE: -40°C TO +130°C
 - 2.4 DIELECTRIC WITHSTANDING VOLTAGE: LESS THAN 2 MILLIAMPS CURRENT LEAKAGE @ 3000 VOLTS AC.
 - 2.5 INSULATION RESISTANCE: 500 MEGOHMS MIN@25°C.
 - 2.6 DEGREE OF PROTECTION: IP67 (MATED CONDITION)
 - 2.7 MATING CYCLE DURABILITY: 100 CYCLES
 - 2.8 RoHS COMPLIANT
3. SIGNAL CONTACT: RT SERIES 14# SOCKET CONTACT
POWER CONTACT: SC000383-8
4. ALL DIMENSIONS ARE FOR REFERENCE USE ONLY.

PART NUMBER		DESCRIPTION		ITEM
ATHP062S08NL16-50S1		ATHP, PLUG, 2 PIN, 8MM HVIL WITHOUT EMC SHIELDING		1
QUANTITY MATERIALS LIST				
UNLESS OTHERWISE SPECIFIED				
1) All dimensions are in metric (mm).				
2) Tolerances are as follows:				
1 PL DEC ±0.30				
2 PL DEC ±0.15				
3 PL DEC ±0.08				
3) Note reference = Angles ±1°				
SIGNATURES		DATE		
DRAWN: Regan		Dec.15.2016		
CHECKED:				
ENGINEER:				
APPROVAL:				
CUSTOMER:				
MATERIAL SPECIFICATIONS:		THIS DRAWING IS SUPPLIED FOR INFORMATION ONLY. DESIGN FEATURES, SPECIFICATIONS AND PERFORMANCE DATA SHOWN HEREON ARE THE PROPERTY OF THE AMPHENOL CORPORATION. NO RIGHTS OF REPRODUCTION ARE IMPLIED. ALL DIMENSIONS ARE SUBJECT TO NORMAL MANUFACTURING VARIATIONS.		
PROCESS SPECIFICATIONS:		SCALE: NONE		
NEXT ASSY:		SHEET 1 OF 1		
<p>Sine Systems - www.amphenol-sine.com 44724 Morley Drive Clinton Township, MI 48036</p>				
SIZE		TYPE		REVISION
B C-		ATHP062S08NL16-50Sx		A1

TITLE: ATHP, PLUG, 2 PIN, 8MM HVIL WITHOUT EMC SHIELDING
DWG NO.: ATHP062S08NL16-50Sx
REV: A1
SH: 1
OF: 1

MagnaMate™ ATHP Standard - Contact Options

Power Contacts - Machined Contacts, Sockets & Pins					
Part Number	Description	Size	AWG	Type	Amps
SC000383-8	Female Contact - Socket, Gold-plated	8mm	50mm2	Machined	180A
SC000384-8	Male Contact - Pin, Nickel-plated	8mm	50mm2	Machined	180A
SC000445-8	Female Contact - Socket, Nickel-plated	8mm	50mm2	Machined	180A
SC000384-8-M1	Male Contact - Pin, Gold-plated	8mm	50mm2	Machined	180A

Tooling - Machined Contacts		
Part	Part Number	Description
	WA23	Heavy Duty Pneumatic Crimp Tool -Uses Universal Positioner Part No. WA23-101DA and Crimp Locator MFX-3961
	WA23-8	Die Assembly -for WA23 Heavy Duty Pneumatic Crimp Tool
	WA23-10	Contact Locator, Size 50mm
	96-978-22	Crimper and Dies -for Size 10mm ² -185mm ² Wires
	QXATHP-50	Contact Extraction Tool 50mm2

Control Contacts - Crimp Contacts, Stamped & Formed				
Part Number		AWG	Wire Range (mm ²)	Plating
Male	Female			
	SS14M2F	14	2.0-2.5	Gold Flash
	SS14M2G5	14	2.0-2.5	Gold 5μ"
	SS14M2G10	14	2.0-2.5	Gold 10μ"
	SS14M2G15	14	2.0-2.5	Gold 15μ"
	SS14M2G30	14	2.0-2.5	Gold 30μ"
SP16M2F		18-16	0.75-1.50	Gold Flash
SP16M2G5		18-16	0.75-1.50	Gold 5μ"
SP16M2G10		18-16	0.75-1.50	Gold 10μ"
SP16M2G15		18-16	0.75-1.50	Gold 15μ"
SP16M2G30		18-16	0.75-1.50	Gold 30μ"

Tooling, Stamped & Formed	
Part Number	Description
QXRT16	Contact Extraction Tool, #16 (Ø 1.6) Contact
MFX-3954	Hand Tool, Stamped & Formed Contact, Size 16, 20-14AWG
MFX-3957	Crimp Die for Stamped & Formed Contact

Amphenol Sine Systems
 44724 Morley Drive
 Clinton Township, MI 48036 USA
www.amphenol-sine.com
 04/2022