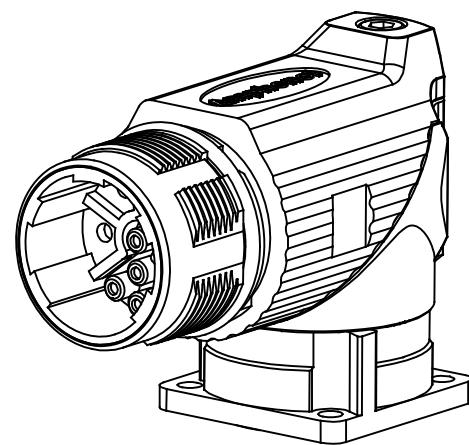
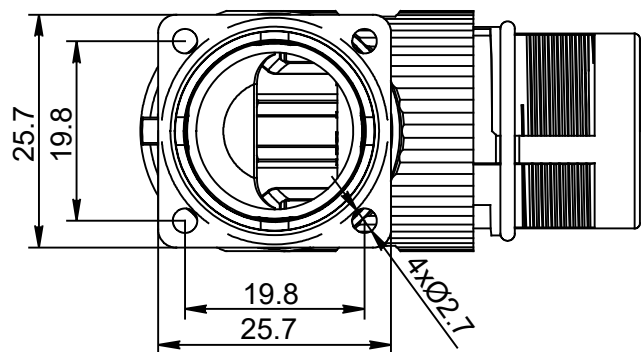


MOUNTING HOLE

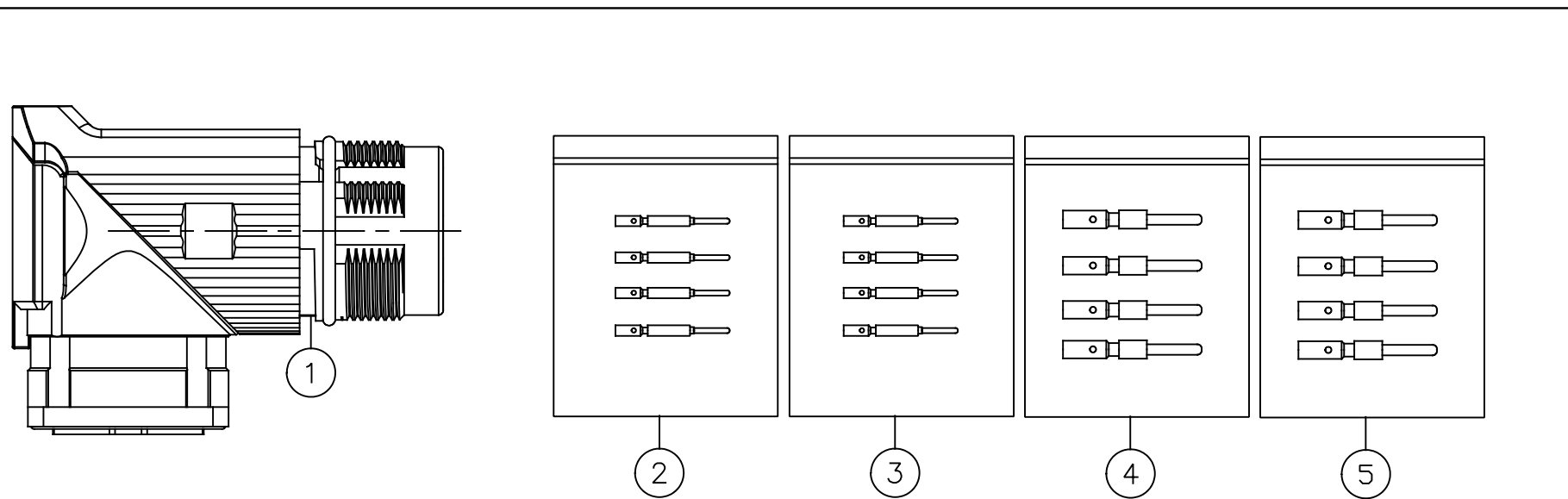


REVISIONS					
REV	ECO	DESCRIPTION	DATE	BY	APPR
A1	-	FIRST RELEASE	Jan.12.2018	White	Tommy
A2	-	ADDED ITEM 5 TO BOM	12/14/2021	RD	RD

NOTES: UNLESS OTHERWISE SPECIFIED

- MATERIAL:
 - INSULATION INSERT :PA66,UL94 V0
 - SEAL: VITON
 - HOUSING BODY: ZINC DIE CAST, NICKEL PLATED
 - CONTACT: COPPER ALLOY, GOLD PLATED
- SPECIFICATIONS:
 - 2.1 CURRENT RATING: SIGNAL: 10 AMPS
POWER: 30AMPS
 - 2.2 VOLTAGE RATING: SIGNAL: 250V AC/DC
POWER: 630V AC/DC
 - 2.3 OPERATING TEMPERATURE: -20°C TO +130°C
 - 2.4 DIELECTRIC WITHSTANDING VOLTAGE: LESS THAN 2 MILLIAMPS CURRENT LEAKAGE @ SIGNAL: 2500VOLTS AC.
POWER: 6000 VOLTS AC.
 - 2.5 DEGREE OF PROTECTION: IP67 (MATED CONDITION)
 - 2.6 DEGREE OF POLLUTION: 3 PER UL840
 - 2.7 OVERVOLTAGE CATEGORY: III PER UL840
 - 2.8 MATING CYCLE DURABILITY: >500 CYCLES
 - 2.9 RoHS COMPLIANT

3. ALL DIMENSIONS ARE FOR REFERENCE USE ONLY.



QUANTITY	PART NUMBER	DESCRIPTION	ITEM
4	SC000525	M23B ELITE SERIES,2.0MM PIN	5
4	SC000262	CONTACT, PIN, Ø2.0mm,CRIMP 14~18AWG	4
5	SC000386	CONTACT, PIN, Ø1.0mm,CRIMP 24~28AWG	3
5	SC000261	CONTACT, PIN, Ø1.0mm,CRIMP 18~22AWG	2
1	MB7RJN0901	CONNECTOR	1
SEE PART NUMBER CHART			

MATERIALS LIST			
UNLESS OTHERWISE SPECIFIED		SIGNATURES	
1) All dimensions are in metric(mm).		DRAWN: White	DATE: Jan.12.2018
2) Tolerances are as follows:		CHECKED: Tod	DATE: Jan.12.2018
1 PL DEC ±0.30		ENGINEER:	
2 PL DEC ±0.15		APPROVAL: Tommy	DATE: Jan.12.2018
3 PL DEC ±0.08		CUSTOMER:	
3) Note reference =		THIS DRAWING IS SUPPLIED FOR INFORMATION ONLY. DESIGN FEATURES, SPECIFICATIONS AND PERFORMANCE DATA SHOWN HEREON ARE THE PROPERTY OF THE AMPHENOL CORPORATION. NO RIGHTS OF REPRODUCTION ARE IMPLIED. ALL DIMENSIONS ARE SUBJECT TO NORMAL MANUFACTURING VARIATIONS.	
MATERIAL SPECIFICATIONS:		SINE SYSTEMS - www.amphenol-sine.com 44724 Morley Drive Clinton Township, MI 48036	
PROCESS SPECIFICATIONS:		KIT,M23B,REC.,RA,9POS(4+5),FLANGE MOUNT	
NEXT ASSY:		SIZE: B C- DWG NO: MB7RJN0901-KIT REVISION: A2	
		SCALE: NONE SHEET 1 OF 1	

TITLE: KIT,M23B,REC.,RA,9POS(4+5),FLANGE MOUNT

DWG NO: MB7RJN0901-KIT

REV: A1

SH: 1

OF: 1