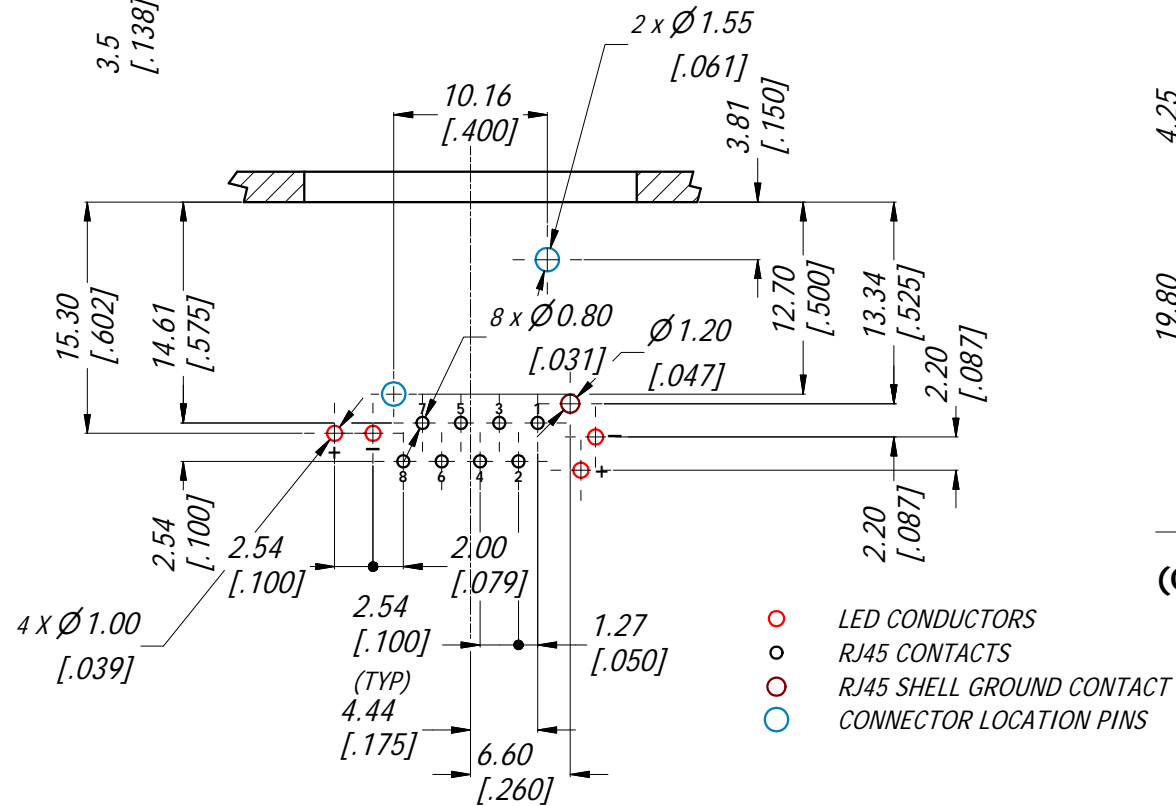


TABLE OF PART NUMBERS

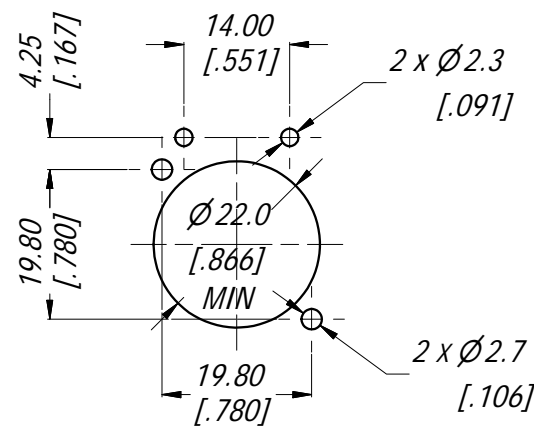
METAL FRONT SHELL FINISH	PART No.	
	LED COLOR LEFT	LED COLOR RIGHT
NICKEL	RED	GREEN
RJX8FB5HRGB	RED	GREEN
RJX8FB5HRYB	RED	YELLOW
RJX8FB5HRRB	RED	RED
RJX8FB5HGRB	GREEN	RED
RJX8FB5HGYB	GREEN	YELLOW
RJX8FB5HGGB	GREEN	GREEN
RJX8FB5HYRB	YELLOW	RED
RJX8FB5HYYB	YELLOW	YELLOW
RJX8FB5HUUB	BLUE	BLUE



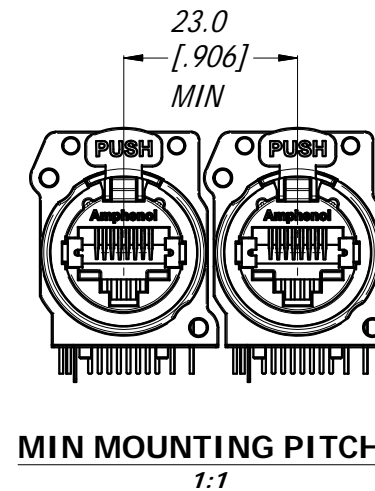
PCB LAYOUT  
2:1  
(CONNECTOR TOP VIEW)

PSE PINOUT ALTERNATIVES

CONDUCTOR	Alternative-A (MDI-X)	Alternative-A (MDI)	Alternative-A (All)
1	Negative V <sub>PSE</sub>	Positive V <sub>PSE</sub>	
2	Negative V <sub>PSE</sub>	Positive V <sub>PSE</sub>	
3	Positive V <sub>PSE</sub>	Negative V <sub>PSE</sub>	
4			Positive V <sub>PSE</sub>
5			Positive V <sub>PSE</sub>
6	Positive V <sub>PSE</sub>	Negative V <sub>PSE</sub>	
7			Negative V <sub>PSE</sub>
8			Negative V <sub>PSE</sub>

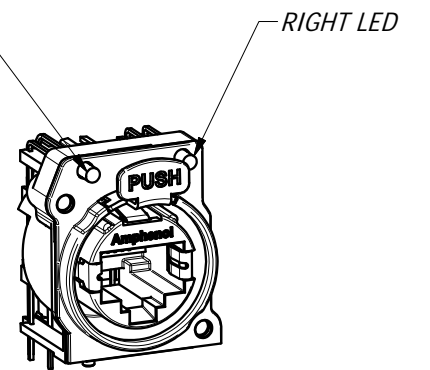


PANEL CUT OUT  
1:1  
(CONNECTOR FRONT VIEW)



MIN MOUNTING PITCH  
1:1

LEFT LED  
(REFER TO TABLE OF  
PART No FOR  
COLOR OPTIONS)



3D VIEW  
1:1

SPECIFICATIONS:

1. MATERIALS:

- PLASTIC INSERT & HOUSING: HIGH TEMPERATURE THERMOPLASTIC FLAMMABILITY RATING UL94V-0 DSM Stanyl, 30% BLACK
- FRONT METAL SHELL: ZINC ALLOY ZAMAK 3, NICKEL PLATE (B TYPE).
- CONTACTS: PHOSPHORE BRONZE, 1.27 um GOLD PLATE ON MATING SURFACES, 1.27 um NICKEL MIN UNDERPLATE. 3.81 um MIN MATTE TIN ON CONTACT TAILS.
- LATCH LOCK AND SPRING: SPRING STEEL, NICKEL PLATE.
- EMI/RFI HOOD: BRASS, TIN PLATE

2. ELECTRICAL CHARACTERISTICS:

- RATED VOLTAGE: 125 VAC
- TYPICAL CONTACT RESISTANCE: 20 mOhm
- INSULATION RESISTANCE: >500 MOhm
- DIELECTRIC STRENGTH: 1000 VAC, 60 SECONDS
- TRANSMISSION SPECIFICATION/CLASS: COMPLIES WITH CAT5e 1000 BASE-T PER EIA-568-C.2
- PoE+ COMPLIES WITH 802.3at Type 2 (SEE PSE PINOUT ALTERNATIVE TABLE)



UNLESS OTHERWISE SPECIFIED TOLERANCE TO BE		THIS DOCUMENT IS THE PROPERTY OF AMPHENOL AUSTRALIA PTY. LTD. NO PART THEREOF MAY BE REPRODUCED AND USED WITHOUT THE PRIOR WRITTEN CONSENT OF THE OWNER.	
LINEAR	ANGULAR	MATERIAL:	DRN: T.N DATE: 20/05/12
X ± 0.5	X' ± 1	REFER SPECIFICATION	CKD: P.M DATE: 21/05/12
X.X ± 0.1	X.X' ± 30'		APP'D: P.M DATE: 21/05/12
X.X ± 0.05	X.X' ± 15'	DO NOT SCALE	FINISH:
BREAK ALL SHARP EDGES AND REMOVE ALL BURRS		THIRD ANGLE PROJECTION	
DIMENSIONS IN MILLIMETRES		SCALE: 3:2	SIZE: A3

Amphenol

Amphenol Australia Pty.Ltd,  
20 Industry Blvd, Carrum Downs  
VIC 3201 Australia

TITLE:  
**XLRnet CONNECTOR  
RJ45 RECP CAT5e  
NON-EMI SHIELD**

PART No:  
**REFER TO TABLE OF  
PART NUMBERS**  
DRAWING No.  
**55010837-000**

REV  
**1**  
SHEET  
**1/1**