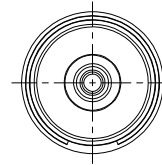
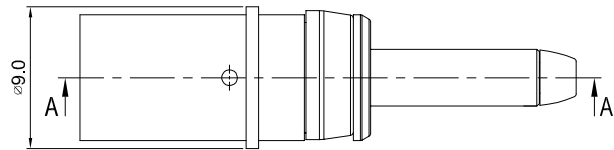
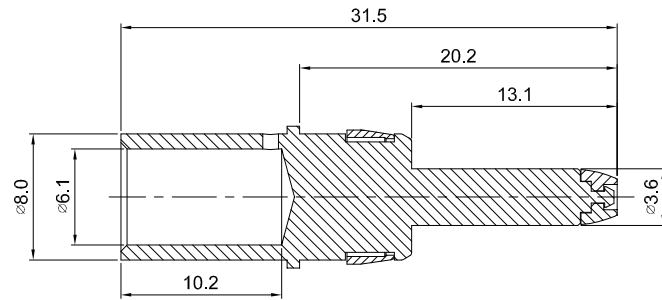


REVISIONS					
REV	ECO	DESCRIPTION	DATE	BY	APPR
B1	-	RELEASE NEW DWG FORMAT	08/25/14	DRACK	TOMMY
B2	-	UPDATE THE LENGTH OF CONTACT	10/09/15	DRACK	TOMMY

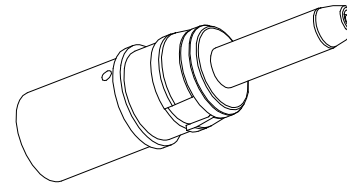


NOTES: UNLESS OTHERWISE SPECIFIED

- MATERIAL: COPPER ALLOY, SILVER PLATED
- SPECIFICATIONS:
 - RATED CURRENT: 86 AMPS
 - CONTACT RESISTANCE: <1.0 MILLIOHM
 - AVAILABLE WIRE RANGE: 10~16 MM²
 - RoHS COMPLIANT
- ALL DIMENSIONS ARE FOR REFERENCE USE ONLY.



SECTION A-A



QUANTITY	SEE PART NUMBER CHART	DESCRIPTION	ITEM
MATERIALS LIST			
UNLESS OTHERWISE SPECIFIED 1) All dimensions are in metric(mm). 2) Tolerances are as follows: 1 PL DEC ±0.30 2 PL DEC ±0.15 3 PL DEC ±0.08 3) Note reference =		SIGNATURES DRAWN: Drack CHECKED: ENGINEER: APPROVAL:	DATE 10/09/15
MATERIAL SPECIFICATIONS:		 Sine Systems - www.amphenol-sine.com 44724 Morley Drive Clinton Township, MI 48036	
PROCESS SPECIFICATIONS:		ECO-MATE,3.6MM PIN CONTACT,CRIMP 10~16MM ² THIS DRAWING IS SUPPLIED FOR INFORMATION ONLY. DESIGN FEATURES, SPECIFICATIONS AND PERFORMANCE DATA SHOWN HEREON ARE THE PROPERTY OF THE AMPHENOL CORPORATION. NO RIGHTS OF REPRODUCTION ARE IMPLIED. ALL DIMENSIONS ARE SUBJECT TO NORMAL MANUFACTURING VARIATIONS.	
NEXT ASSY:		SIZE: B C- SCALE: 2 : 1	DWG NO: MP6ARS8S REVISION: B2 SHEET 1 OF 1

TITLE: ECO-MATE,3.6MM PIN CONTACT,CRIMP 10~16MM² DWG NO: MP6ARS8S REV: B2 SH: 1 OF: 1