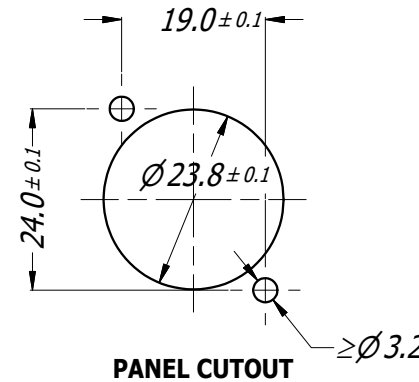


3D VIEW
1:1



PANEL CUTOUT

PATENTS AND APPLICATIONS :

- US 10823914B2
- EP 3514892B1
- JP 6705027B2
- DE 102018101431A1
- HK 40009428A
- CN 110071397A
- EP 3641070A1

NOTES:
 - USE SCREW #4 OR M3
 - SCREW TORQUE: 0.4 N-m (3.5 lb-in) MAX

UNLESS OTHERWISE SPECIFIED TOLERANCE TO BE		THIS DOCUMENT IS THE PROPERTY OF AMPHENOL AUSTRALIA PTY. LTD. NO PART THEREOF MAY BE REPRODUCED AND USED WITHOUT THE PRIOR WRITTEN CONSENT OF THE OWNER.			
LINEAR	ANGULAR	MATERIAL: REFER COMPONENTS	DRN:	T.N	DATE: 29/08/16
X ± 0.5	X' ± 1		CKD:	P.M	DATE: 29/08/16
X.X ± 0.1	X.X' ± 30'		APP'D:	P.M	DATE: 29/08/16
X.X ± 0.05	X.X'X" ± 15'		SCALE:	1:1	SIZE: A4
BREAK ALL SHARP EDGES AND REMOVE ALL BURRS		FINISH:	THIRD ANGLE PROJECTION		
DO NOT SCALE					
DIMENSIONS IN MILIMETRES					

Amphenol		Amphenol Australia Pty.Ltd, 22 Industry Blvd, Carrum Downs VIC 3201	
TITLE: MALE PANEL MOUNT HP SERIES WITHOUT DIVIDER		PART No: HPT-3-MDW	REV 2
		DRAWING No. 55011093-000-4	SHEET 4/4