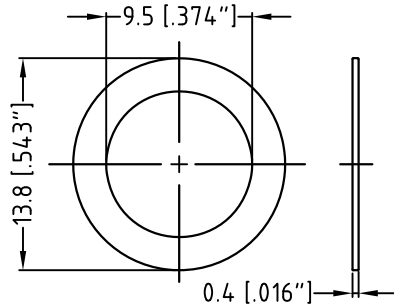
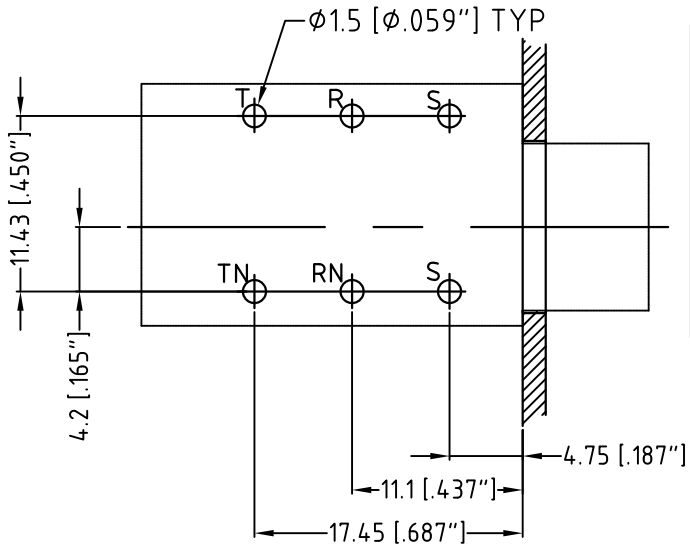
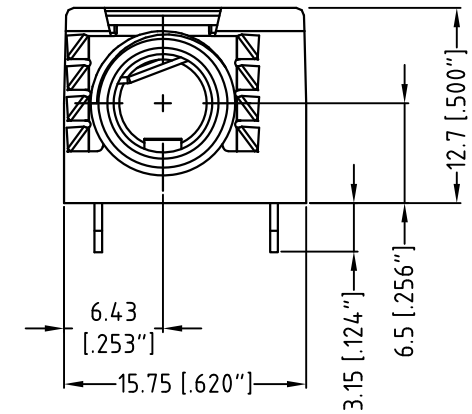
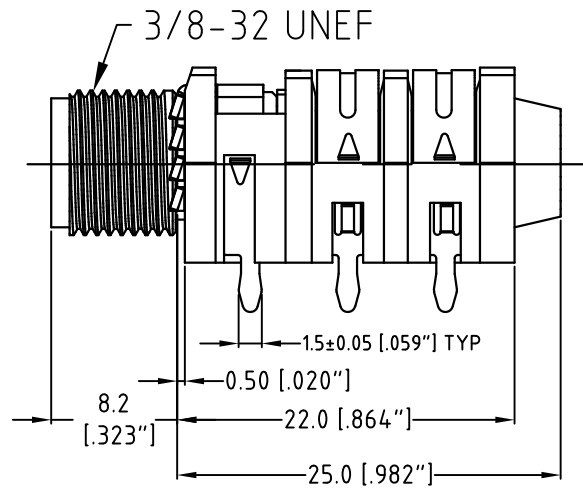


METAL NUT



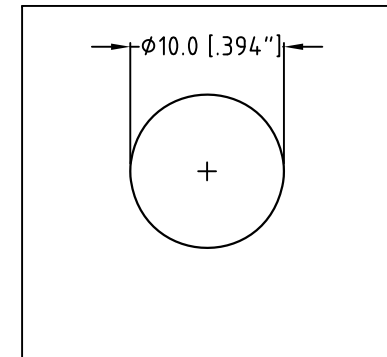
METAL WASHER



RECOMMENDED PCB - LAYOUT

TOLERANCE: $\pm 0.05\text{mm}$ [0.002"]

PART NO.	ACJM-LHOM	ACJS-LHOM	NO NUT & WASHER
	ACJM-MHOM	ACJS-MHOM	METAL NUT & WASHER
SCHEMATIC			HARDWARE OPTION



PANEL CUTOUT

NOTE: NUT TO CONNECTOR ASSEMBLY - MAX TORQUE FORCE IS 1.75N/m

3	CHANGE WASHER OD FROM 13.0mm TO 13.8mm	MH	02-06-21	9651
2	ADD PART NUMBERS FOR NO HARDWARES	MH	27-03-15	----
1	UPDATE DRAWING TO MEET PRODUCTION PART	MH	10-02-10	----
0	FIRST ISSUE	M.N.H	06-02-07	----
REV.	CHANGE DETAILS	BY	DATE	CHG/No

UNLESS OTHERWISE SPECIFIED TOLERANCE TO BE		THIS DOCUMENT IS THE PROPERTY OF AMPHENOL AUSTRALIA PTY. LTD.. NO PART THEREOF MAY BE REPRODUCED AND USED WITHOUT THE PRIOR WRITTEN CONSENT OF THE OWNER			
LINEAR	ANGULAR	CAD FILE:	DRN:	DATE:	TITLE:
X \pm 0.5	X° \pm 1°	55010411000113	M.N.H	06-02-07	1/4" PHONE OFFSET JACK CUSTOMER DRAWING
X,X \pm 0.2	X°X' \pm 30'	MATL:	CKD:	DATE:	Amphenol Amphenol Australia Pty Ltd, 22 Industry Blvd, Carrum Downs, Vic.3201
X,XX \pm 0.1	X°X'X" \pm 15"	SEE NOTES	M.H.	02-06-21	
BREAK ALL SHARP EDGES AND REMOVE ALL BURRS		FINISH:	APP'D:	DATE:	DRAWING NO.
DO NOT SCALE		SEE NOTES	P.M	02-06-21	55010411-000-1
DIMENSIONS IN MILLIMETRES		THIRD ANGLE PROJECTION		SCALE:	SIZE: A4
				1:1	1 OF 1