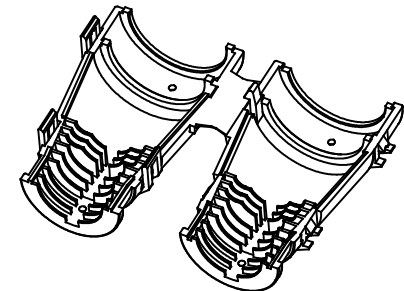
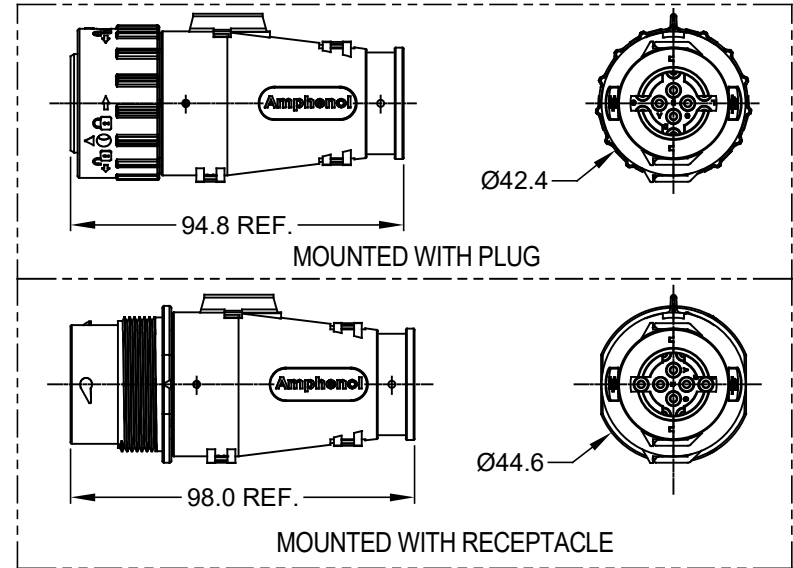
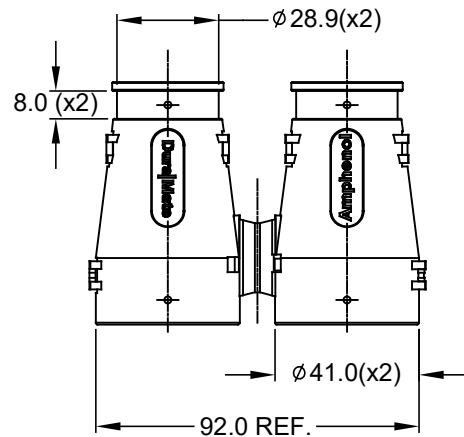
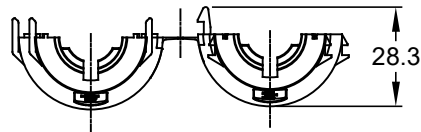
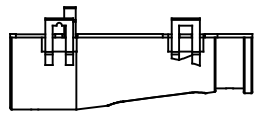
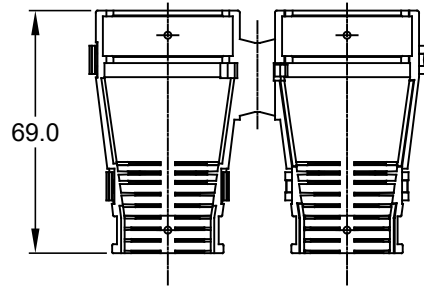


REVISIONS

REV	ECO	DESCRIPTION	DATE	BY	APPR
01		FIRST ISSUE	Jan 22-2018	WILBER	TOMMY



NOTES: UNLESS OTHERWISE SPECIFIED

1. MATERIAL: THERMOPLASTIC,COLORS: BLACK

2.USE WITH AHDP04/06-18-*P/S-WTA

3.CABLE EXIT DESIGNED FOR CORRUGATED TUBE NW 13,17 AND 19.

4. RoHS COMPLIANT

5. ALL DIMENSIONS ARE FOR REFERENCE USE ONLY.

AHDPBS-016-1805		DESCRIPTION		ITEM
QUANTITY	PART NUMBER	MATERIALS LIST		
UNLESS OTHERWISE SPECIFIED		SIGNATURES		DATE
1) All dimensions are in metric(mm).		DRAWN: Wilber Liu		Jan 22-2018
2) Tolerances are as follows:		CHECKED: Orion.Li		Jan 22-2018
1 PL DEC ±0.50		ENGINEER:		
2 PL DEC ±0.15		APPROVAL: TOMMY.Xie		Jan 22-2018
3 PL DEC ±0.08		CUSTOMER:		
3) Note reference =		THIS DRAWING IS SUPPLIED FOR INFORMATION ONLY. DESIGN FEATURES, SPECIFICATIONS AND PERFORMANCE DATA SHOWN HEREON ARE THE PROPERTY OF THE AMPHENOL CORPORATION. NO RIGHTS OF REPRODUCTION ARE IMPLIED. ALL DIMENSIONS ARE SUBJECT TO NORMAL MANUFACTURING VARIATIONS.		
MATERIAL SPECIFICATIONS:		SIZE		REVISION
PROCESS SPECIFICATIONS:		TYPE		
NEXT ASSY:		DWG NO:		
		A C-		AHDPBS-016-1805
		SCALE: NONE		01
		BACK SHELL,COVER ,AHDP SERIES, SIZE 18		
		Sine Systems - www.amphenol-sine.com 44724 Morley Drive Clinton Township, MI 48036		
		SHEET 1 OF 1		